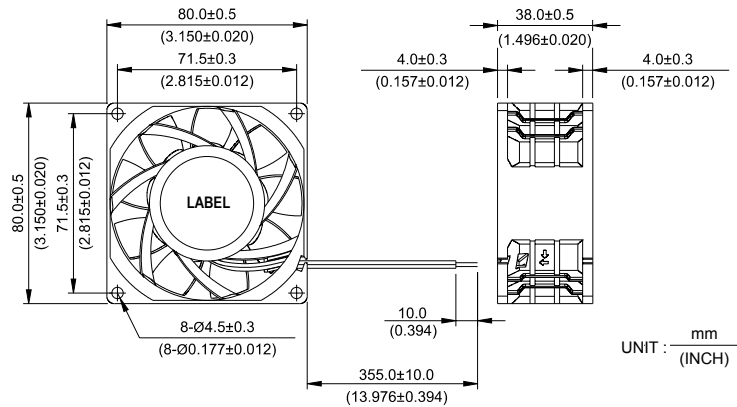


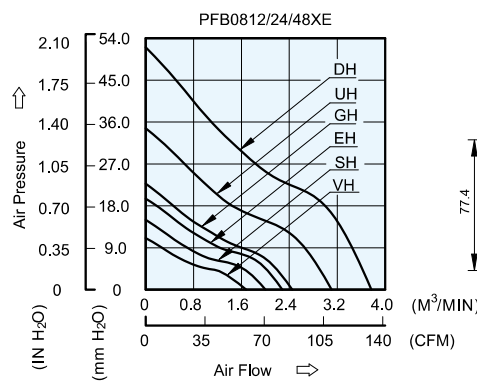
PFB 80 x 80 x 38 MM SERIES

DIMENSIONS DRAWING

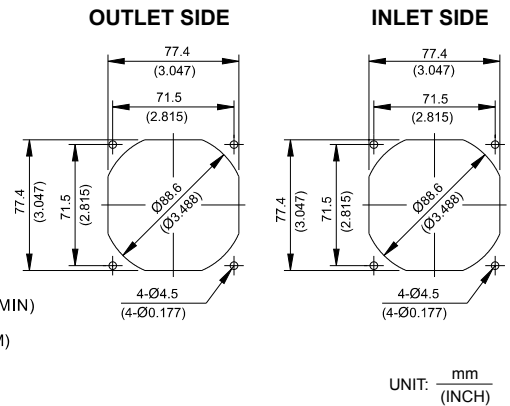


- * Bearing Type
Ball Bearings
- * Material
Impeller & Frame: Plastic (UL 94V-0)
- * Lead Wires :
UL 1007 AWG #24 OR Equivalent
Red Wire Positive(+)
Black Wire Negative(-)
- * Weight : 200g (7.05 oz)

P & Q CURVE (AT RATED VOLTAGE)



MOUNTING PANEL CUTOUT



| MODEL | | Rated Voltage | Operating Voltage Range | Input Current | Input Power | Speed | Maximum Air Flow | | Maximum Air Pressure | | Noise |
|------------|-------------|---------------|-------------------------|---------------|-------------|--------|---------------------|--------|----------------------|---------------------|-------|
| PART NO. | FUNCTION | VDC | VDC | Amp | Watt | R.P.M. | m ³ /min | CFM | mmH ₂ O | IN H ₂ O | dB-A |
| PFB0812VHE | -R00 / -F00 | 12 | 7.0 to 13.2 | 0.39 | 4.68 | 4200 | 1.649 | 58.23 | 10.70 | 0.421 | 45.1 |
| PFB0812SHE | -R00 / -F00 | 12 | 7.0 to 13.2 | 0.51 | 6.12 | 4900 | 1.967 | 69.49 | 14.53 | 0.571 | 49.3 |
| PFB0812EHE | -R00 / -F00 | 12 | 7.0 to 13.2 | 0.72 | 8.64 | 5600 | 2.243 | 79.23 | 19.50 | 0.767 | 53.0 |
| PFB0824EHE | -R00 / -F00 | 24 | 14.0 to 26.4 | 0.36 | 8.64 | | | | | | |
| PFB0848EHE | -R00 / -F00 | 48 | 28.0 to 56.0 | 0.23 | 11.04 | | | | | | |
| PFB0812GHE | -R00 / -F00 | 12 | 7.0 to 13.2 | 0.85 | 10.20 | 6100 | 2.448 | 86.44 | 22.80 | 0.898 | 55.5 |
| PFB0824GHE | -R00 / -F00 | 24 | 14.0 to 26.4 | 0.45 | 10.80 | | | | | | |
| PFB0848GHE | -R00 / -F00 | 48 | 28.0 to 56.0 | 0.27 | 12.96 | | | | | | |
| PFB0812UHE | -R00 / -F00 | 12 | 7.0 to 13.2 | 1.55 | 18.60 | 7500 | 3.038 | 107.30 | 34.75 | 1.368 | 61.0 |
| PFB0824UHE | -R00 / -F00 | 24 | 14.0 to 26.4 | 0.77 | 18.48 | | | | | | |
| PFB0848UHE | -R00 / -F00 | 48 | 28.0 to 56.0 | 0.42 | 20.16 | | | | | | |
| PFB0812DHE | -R00 / -F00 | 12 | 7.0 to 13.2 | 2.75 | 33.00 | 9000 | 3.754 | 132.56 | 51.57 | 2.030 | 65.0 |
| PFB0824DHE | -R00 / -F00 | 24 | 14.0 to 26.4 | 1.35 | 32.40 | | | | | | |

* Function type is optional.
 * The max. air flow and the speed are measured in free air ; max. air pressure is measured at zero air flow.
 * Noise is measured in anechoic chamber in free air, one meter from intake side.
 * All readings are typical values at rated voltage.
 * Specifications are subject to change without notice.