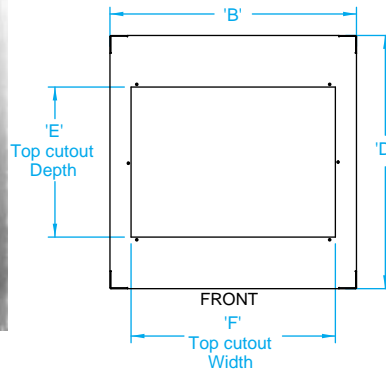


Frames (C2 Series)

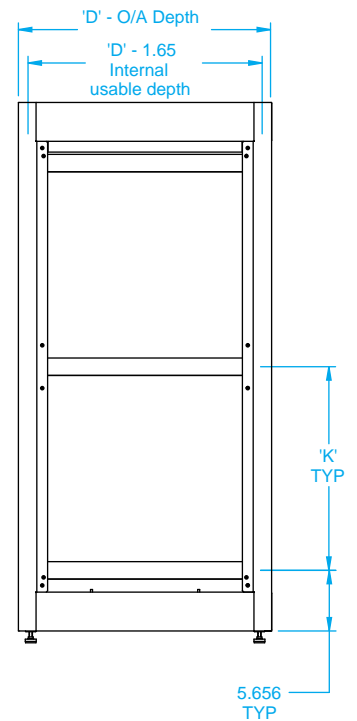
**- FRAME ONLY -
PANEL RAILS
NOT INCLUDED**



Top View

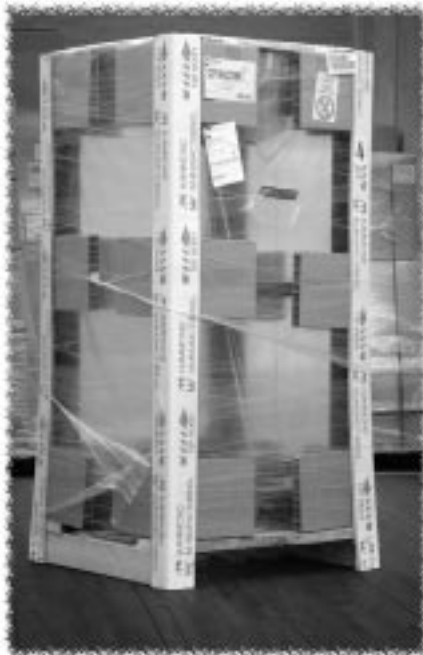


Right Side View



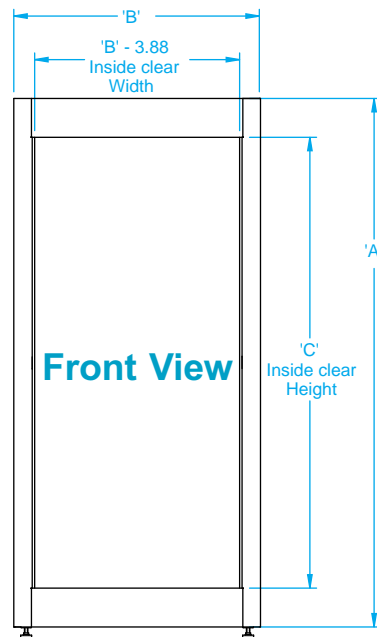
19" Rack Mount

Welded

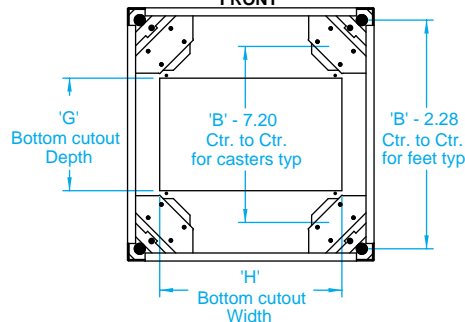


Shipped on it's own skid for handling ease & protection

Front View



FRONT



Bottom View

FEATURES

- Heavy duty welded rack frame
- Recommended maximum weight (C2F247836 tested) - 1,500 pounds
- Standard 19" panel mount width (23" overall width)
- For 19" extra wide, 23" and 24" rack mount cabinets for vertical cable management applications see page 56
- Choice of three depths (23.6", 31.5" or 36")
- Unit is shipped as a welded frame only with 4 levelling feet
- **Panel rails are NOT included** allows maximum flexibility of panel rails, quantity & options (ie..tapped or square hole) see page 45 for options.
- Heavy duty: 14 gauge welded steel frame
- Finished in a rugged, textured powder paint finish
- Welded frame bottom includes caster mounts
- See ordering guide (next page)

23.63" Deep (Usable Depth = 21.63")

| Part Number | | Dimensions (Inches) | | | | | | | | | |
|----------------|----------------|---------------------|-------|---------|-------|-------|------------|-------|---------------|-------|---------------|
| | | Panel Height | | Overall | | | Top Cutout | | Bottom Cutout | | Strut Spacing |
| | | | | Height | Width | Depth | Depth | Width | Depth | Width | |
| Black Textured | Beige Textured | C | Units | A | B | D | E | F | G | H | K |
| C2F193523BK1 | C2F193523CG1 | 35.06 | 20 | 42.31 | 23 | 23.63 | 14 | 19 | 10.5 | 17 | N/A |
| C2F194223BK1 | C2F194223CG1 | 42.06 | 24 | 49.31 | 23 | 23.63 | 14 | 19 | 10.5 | 17 | 19.00 |
| C2F194923BK1 | C2F194923CG1 | 49.06 | 28 | 56.31 | 23 | 23.63 | 14 | 19 | 10.5 | 17 | 22.50 |
| C2F195623BK1 | C2F195623CG1 | 56.06 | 32 | 63.31 | 23 | 23.63 | 14 | 19 | 10.5 | 17 | 26.00 |
| C2F196323BK1 | C2F196323CG1 | 63.06 | 36 | 70.31 | 23 | 23.63 | 14 | 19 | 10.5 | 17 | 29.50 |
| C2F197023BK1 | C2F197023CG1 | 70.06 | 40 | 77.31 | 23 | 23.63 | 14 | 19 | 10.5 | 17 | 33.00 |
| C2F197823BK1 | C2F197823CG1 | 78.81 | 45 | 86.06 | 23 | 23.63 | 14 | 19 | 10.5 | 17 | 37.38 |
| C2F198523BK1 | C2F198523CG1 | 85.81 | 49 | 93.06 | 23 | 23.63 | 14 | 19 | 10.5 | 17 | 40.88 |

31.5" Deep (Usable Depth = 29.5")

| Part Number | | Dimensions (Inches) | | | | | | | | | |
|----------------|----------------|---------------------|-------|---------|-------|-------|------------|-------|---------------|-------|---------------|
| | | Panel Height | | Overall | | | Top Cutout | | Bottom Cutout | | Strut Spacing |
| | | | | Height | Width | Depth | Depth | Width | Depth | Width | |
| Black Textured | Beige Textured | C | Units | A | B | D | E | F | G | H | K |
| C2F193531BK1 | C2F193531CG1 | 35.06 | 20 | 42.31 | 23 | 31.50 | 22.75 | 19 | 17.5 | 17 | N/A |
| C2F194231BK1 | C2F194231CG1 | 42.06 | 24 | 49.31 | 23 | 31.50 | 22.75 | 19 | 17.5 | 17 | 19.00 |
| C2F194931BK1 | C2F194931CG1 | 49.06 | 28 | 56.31 | 23 | 31.50 | 22.75 | 19 | 17.5 | 17 | 22.50 |
| C2F195631BK1 | C2F195631CG1 | 56.06 | 32 | 63.31 | 23 | 31.50 | 22.75 | 19 | 17.5 | 17 | 26.00 |
| C2F196331BK1 | C2F196331CG1 | 63.06 | 36 | 70.31 | 23 | 31.50 | 22.75 | 19 | 17.5 | 17 | 29.50 |
| C2F197031BK1 | C2F197031CG1 | 70.06 | 40 | 77.31 | 23 | 31.50 | 22.75 | 19 | 17.5 | 17 | 33.00 |
| C2F197831BK1 | C2F197831CG1 | 78.81 | 45 | 86.06 | 23 | 31.50 | 22.75 | 19 | 17.5 | 17 | 37.38 |
| C2F198531BK1 | C2F198531CG1 | 85.81 | 49 | 93.06 | 23 | 31.50 | 22.75 | 19 | 17.5 | 17 | 40.88 |

36" Deep (Usable Depth = 34")

| Part Number | | Dimensions (Inches) | | | | | | | | | |
|----------------|----------------|---------------------|-------|---------|-------|-------|------------|-------|---------------|-------|---------------|
| | | Panel Height | | Overall | | | Top Cutout | | Bottom Cutout | | Strut Spacing |
| | | | | Height | Width | Depth | Depth | Width | Depth | Width | |
| Black Textured | Beige Textured | C | Units | A | B | D | E | F | G | H | K |
| C2F193536BK1 | C2F193536CG1 | 35.06 | 20 | 42.31 | 23 | 36 | 27.25 | 19 | 17.5 | 17 | N/A |
| C2F194236BK1 | C2F194236CG1 | 42.06 | 24 | 49.31 | 23 | 36 | 27.25 | 19 | 17.5 | 17 | 19.00 |
| C2F194936BK1 | C2F194936CG1 | 49.06 | 28 | 56.31 | 23 | 36 | 27.25 | 19 | 17.5 | 17 | 22.50 |
| C2F195636BK1 | C2F195636CG1 | 56.06 | 32 | 63.31 | 23 | 36 | 27.25 | 19 | 17.5 | 17 | 26.00 |
| C2F196336BK1 | C2F196336CG1 | 63.06 | 36 | 70.31 | 23 | 36 | 27.25 | 19 | 17.5 | 17 | 29.50 |
| C2F197036BK1 | C2F197036CG1 | 70.06 | 40 | 77.31 | 23 | 36 | 27.25 | 19 | 17.5 | 17 | 33.00 |
| C2F197836BK1 | C2F197836CG1 | 78.81 | 45 | 86.06 | 23 | 36 | 27.25 | 19 | 17.5 | 17 | 37.38 |
| C2F198536BK1 | C2F198536CG1 | 85.81 | 49 | 93.06 | 23 | 36 | 27.25 | 19 | 17.5 | 17 | 40.88 |

19" Rack Mount

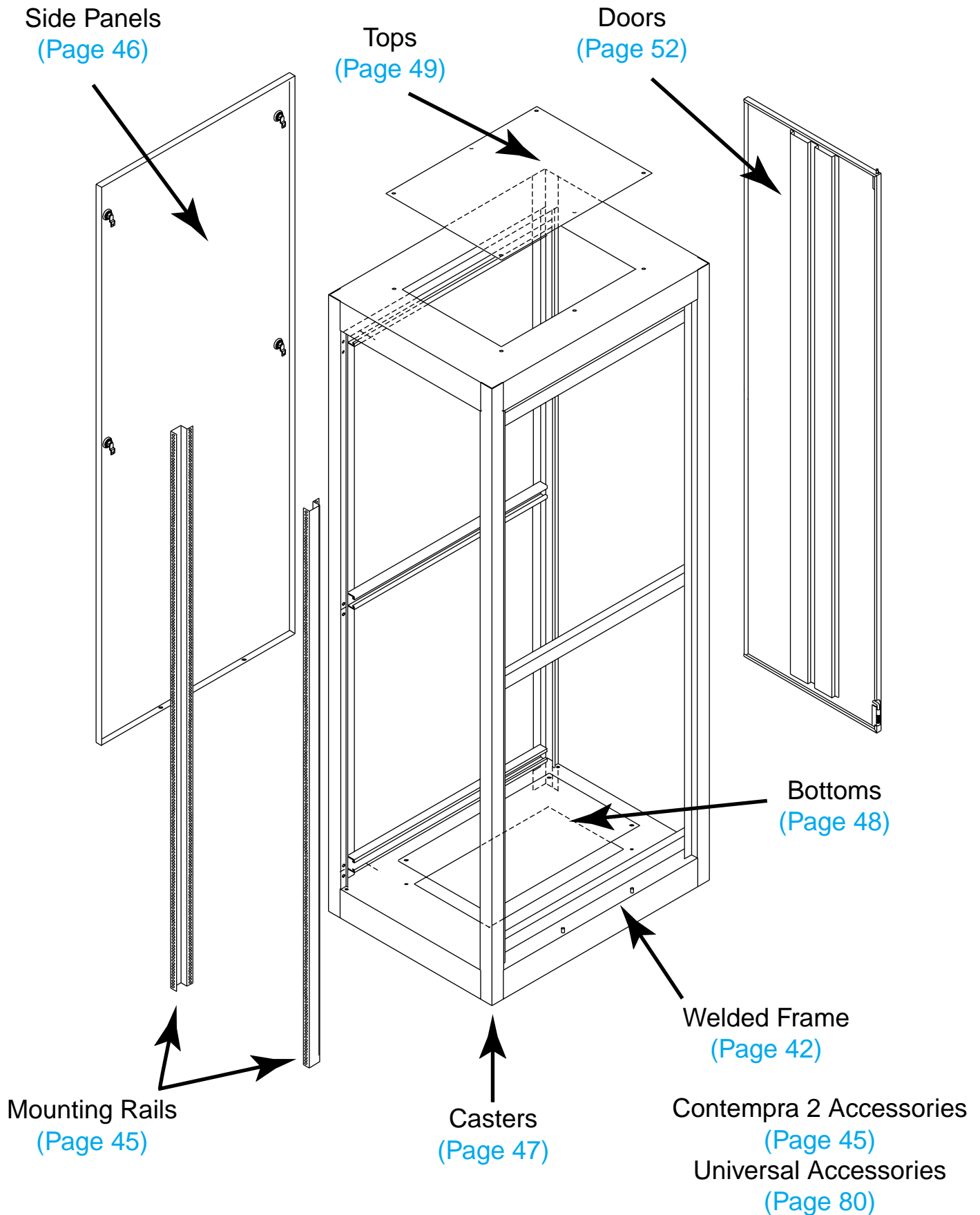
Welded



Ordering Guide (C2 Series)

19" Rack Mount

Welded



Panel Rails (C2 Series)

TAPPED RAILS

- **SOLD IN PAIRS**
- Drilled and tapped (10-32)
- Heavy duty construction - formed from 10 gauge steel
- Full EIA hole centers (5/8 - 5/8 - 1/2 inch spacing)
- Bolts vertically in cabinet to amhal struts
- Includes strut mounting hardware, panel mounting hardware available on page 119
- Zinc plated finish
- Front of rail allows for 19" panel rack mounting
- Rear of rail flange for rear equipment support or accessory mounting



| Part Number (Sold in Pairs) | Panel Height | |
|--------------------------------|--------------|-------|
| | Inches | Units |
| CCR35TZPL | 35.00 | 20 |
| CCR42TZPL | 42.00 | 24 |
| CCR49TZPL | 49.00 | 28 |
| CCR56TZPL | 56.00 | 32 |
| CCR63TZPL | 63.00 | 36 |
| CCR70TZPL | 70.00 | 40 |
| CCR78TZPL | 78.75 | 45 |
| CCR85TZPL | 85.75 | 49 |

SQUARE HOLE RAILS

- **SOLD IN PAIRS**
- Square hole punched - allowing choice of hardware for 10-32 or 12-24 or M6 thread cage nuts)
- Includes a starter quantity (25) of 10-32 cage nuts
- Heavy duty construction - formed from 12 gauge steel
- Full EIA hole centers (5/8 - 5/8 - 1/2 inch spacing)
- Bolts vertically in cabinet to amhal struts
- Includes strut mounting hardware, panel mounting hardware available on page 119
- Zinc plated finish
- Front of rail allows for 19" panel rack mounting
- Rear "L" of rail for rear equipment support or accessory mounting



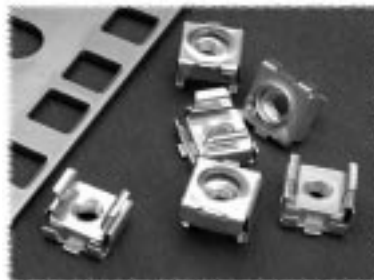
19" Rack Mount

Welded



Cage Nut
Installation Tool

- Allows for easy installation of cage nuts in square rail hole
- Spring steel tool
- Part Number **RCNIT**



Additional Cage Nuts

| Part Number | Qty. Per Package | Thread |
|-------------|------------------|--------|
| 1421CNA25 | 25 | 10-32 |
| 1421CNA100 | 100 | 10-32 |
| 1421CNC25 | 25 | 12-24 |
| 1421CNC100 | 100 | 12-24 |
| 1421CNB25 | 25 | M6 |
| 1421CNB100 | 100 | M6 |

| Part Number (Sold in Pairs) | Panel Height | |
|--------------------------------|--------------|-------|
| | Inches | Units |
| CPR35SZPL | 35.00 | 20 |
| CPR42SZPL | 42.00 | 24 |
| CPR49SZPL | 49.00 | 28 |
| CPR56SZPL | 56.00 | 32 |
| CPR63SZPL | 63.00 | 36 |
| CPR70SZPL | 70.00 | 40 |
| CPR78SZPL | 78.75 | 45 |
| CPR85SZPL | 85.75 | 49 |



Side Panels (C2 Series)

SIDE PANELS



FEATURES

- Sold in pairs
- Constructed of 16 gauge steel
- Panels fit flush with frame
- Designed for easy removal and installation
- Features quick release 1/4 turn cam fasteners (4 per side) with internal latching provision
- Two pins on the bottom of the frame allow for easy alignment & installation
- Finished in a rugged textured powder paint

23.63" Deep

| Part Number | | Depth (Inches) | Panel Height | |
|----------------|----------------|----------------|--------------|-------|
| Black Textured | Beige Textured | | Inches | Units |
| CSP3523BK1 | CSP3523CG1 | 23.63 | 35.00 | 20 |
| CSP4223BK1 | CSP4223CG1 | 23.63 | 42.00 | 24 |
| CSP4923BK1 | CSP4923CG1 | 23.63 | 49.00 | 28 |
| CSP5623BK1 | CSP5623CG1 | 23.63 | 56.00 | 32 |
| CSP6323BK1 | CSP6323CG1 | 23.63 | 63.00 | 36 |
| CSP7023BK1 | CSP7023CG1 | 23.63 | 70.00 | 40 |
| CSP7823BK1 | CSP7823CG1 | 23.63 | 78.75 | 45 |
| CSP8523BK1 | CSP8523CG1 | 23.63 | 85.75 | 49 |

31.5" Deep

| Part Number | | Depth (Inches) | Panel Height | |
|----------------|----------------|----------------|--------------|-------|
| Black Textured | Beige Textured | | Inches | Units |
| CSP3531BK1 | CSP3531CG1 | 31.50 | 35.00 | 20 |
| CSP4231BK1 | CSP4231CG1 | 31.50 | 42.00 | 24 |
| CSP4931BK1 | CSP4931CG1 | 31.50 | 49.00 | 28 |
| CSP5631BK1 | CSP5631CG1 | 31.50 | 56.00 | 32 |
| CSP6331BK1 | CSP6331CG1 | 31.50 | 63.00 | 36 |
| CSP7031BK1 | CSP7031CG1 | 31.50 | 70.00 | 40 |
| CSP7831BK1 | CSP7831CG1 | 31.50 | 78.75 | 45 |
| CSP8531BK1 | CSP8531CG1 | 31.50 | 85.75 | 49 |

36" Deep

| Part Number | | Depth (Inches) | Panel Height | |
|----------------|----------------|----------------|--------------|-------|
| Black Textured | Beige Textured | | Inches | Units |
| CSP3536BK1 | CSP3536CG1 | 36.00 | 35.00 | 20 |
| CSP4236BK1 | CSP4236CG1 | 36.00 | 42.00 | 24 |
| CSP4936BK1 | CSP4936CG1 | 36.00 | 49.00 | 28 |
| CSP5636BK1 | CSP5636CG1 | 36.00 | 56.00 | 32 |
| CSP6336BK1 | CSP6336CG1 | 36.00 | 63.00 | 36 |
| CSP7036BK1 | CSP7036CG1 | 36.00 | 70.00 | 40 |
| CSP7836BK1 | CSP7836CG1 | 36.00 | 78.75 | 45 |
| CSP8536BK1 | CSP8536CG1 | 36.00 | 85.75 | 49 |

SIDE PANEL LOCKS



- For higher security, the quarter turn fasteners on the side panels can be replaced with this key locking version
- Order part number **CSPQTRL**
- Kit contains 4 quarter turn locks and 8 keys.
- Good for 1 rack (ie...2 locks per side panel)

19" Rack Mount

Welded

LIGHT DUTY CASTERS

- **Light Duty** - 360 lbs. Mfg.'s specified weight capacity (Set of 4)
- Features ball bearing swivel and hard composition wheels
- Standard 3" x 1.75" hole mounting pattern - no drilling required
- Adds only 0.75" to height of cabinet by fitting up inside base of rack
- Wheels are black & 3" wheel diameter
- Includes mounting hardware
- **SOLD IN A SET OF 4**
- Part Number **1425B**



MEDIUM DUTY CASTERS

- **Medium Duty** - 700 lbs. Mfg.'s specified weight capacity (Set of 4)
- Features ball bearing swivel and hard composition wheels
- Standard 3" x 1.75" hole mounting pattern
- Adds only 0.75" to height of cabinet by fitting up inside base of rack
- Wheels are black & 3" wheel diameter
- Includes mounting hardware
- **SOLD IN A SET OF 4**
- Part Number **1425BM**



HEAVY DUTY CASTERS

- **Heavy Duty** - 1,050 lbs. Mfg.'s specified weight capacity (Set of 4)
- Features ball bearing swivel and hard composition wheels
- Standard 3" x 1.75" hole mounting pattern
- Adds only 0.75" to height of cabinet by fitting up inside base of rack
- Wheels are blue & 3" wheel diameter
- Includes mounting hardware
- **SOLD IN A SET OF 4**
- Part Number **1425BH**



LOCKING CASTERS

- These are exterior mount casters that mount outside of rack frame perimeter to allow foot access of locking pedals
- **Medium Duty** - 560 lbs. Mfg.'s specified weight capacity (Set of 4)
- Available in either locking or non-locking format
- Sold in **pairs** allowing for mix of locking and nonlocking on same cabinet
- 3.5" diameter wheels add 4.88" to cabinet height
- No drilling required as casters fit into built-in caster mounts
- Part Number **CCSTL** for a PAIR of locking casters
- Part Number **CCSTN** for a PAIR of non-locking casters



19" Rack Mount

Welded



Hammond Manufacturing Co. Ltd.
394 Edinburgh Rd. North
Guelph, Ontario N1H 1E5 CANADA
© Phone: 519-822-2960 Fax: 519-822-0715



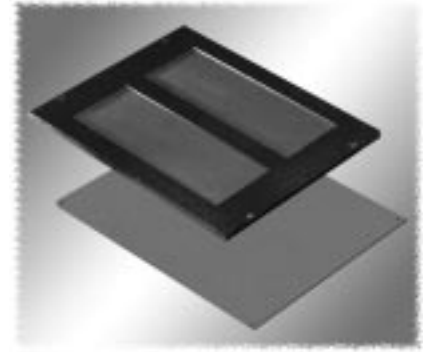
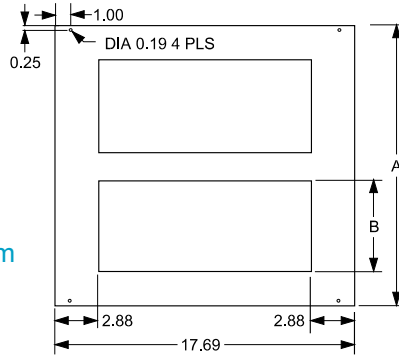
Hammond Manufacturing Co. Inc.
256 Sonwil Dr.
Cheektowaga, NY 14225 USA
Phone: 716-651-0086 Fax: 716-651-0726

Bottom Options (C2 Series)

FRAME BOTTOMS

- 14 gauge steel construction
- Micro Cell Cable Entry Bottom features 2 cutouts for cable access. Under side of cutouts covered with black foam rubber which, when punctured for cable access, still maintains a virtually sealed bottom
- Mounting hardware included

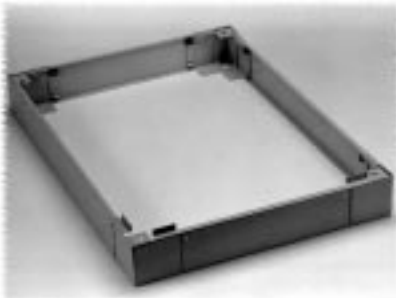
Micro Cell Cable Entry Bottom



Micro Cell Cable Entry or Solid Steel (pictured top to bottom)

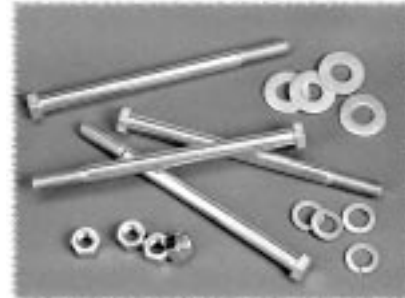
| Part Number | | Type | Dimensions (Inches) | | | |
|-------------------------------|-------------------------------|-------------|---------------------|------|-----|----------------|
| Black Textured | Beige Textured | | Panel Width | A | B | Rack Depth |
| C2BPS1923BK1 | C2BPS1923CG1 | Solid | 19 | 11.5 | - | 23.63 |
| C2BPS1931BK1 | C2BPS1931CG1 | Solid | 19 | 18.5 | - | 31.50 or 36.00 |
| C2BPCE1923BK1 | C2BPCE1923CG1 | Cable Entry | 19 | 11.5 | 3.5 | 23.63 |
| C2BPCE1931BK1 | C2BPCE1931CG1 | Cable Entry | 19 | 18.5 | 6.0 | 31.50 or 36.00 |

PLINTH



- Adds 4" to overall rack height
- 14 gauge steel construction
- Features 4 corner units and 4 removable fill panels
- By removing both front & rear panels, easy access to bottom cabling and forklift lifting/transport are achieved
- Not compatible with levelling feet or casters

BOLT DOWN KIT



- Fixes rack to floor
- Kit includes set of four - 3/8" x 5 1/2" bolts with flat washers and nuts
- Can be used with or without plinths
- Part Number: **CBDK4**

| Part Number | | Panel Width | Use with Frame Depth |
|-----------------------------|-----------------------------|-------------|----------------------|
| Black Textured | Beige Textured | | |
| CPL19423BK1 | CPL19423CG1 | 19" | 23.63" |
| CPL19431BK1 | CPL19431CG1 | 19" | 31.50" |
| CPL19436BK1 | CPL19436CG1 | 19" | 36.00" |

19" Rack Mount

Welded

SOLID TOP

- 14 gauge steel construction
- Supplied with mounting hardware
- Should be used on all racks where protection from dust or falling objects is required

| Part Number | | Panel Width | Rack Depth |
|----------------|----------------|-------------|------------|
| Black Textured | Beige Textured | | |
| C2T1923SBK1 | C2T1923SCG1 | 19 | 23.63 |
| C2T1931SBK1 | C2T1931SCG1 | 19 | 31.50 |
| C2T1936SBK1 | C2T1936SCG1 | 19 | 36.00 |

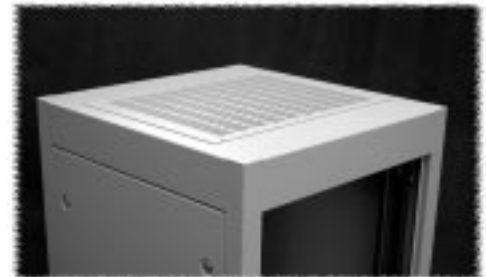


VENTED TOP

- 14 gauge steel construction
- Supplied with mounting hardware
- Provides a practical and economical solution to convection cooling requirements
- Available either with or without 3.5" cable access holes and covers

Without Cable Access Holes

| Part Number | | Panel Width | Rack Depth |
|----------------|----------------|-------------|------------|
| Black Textured | Beige Textured | | |
| C2T1923VBK1 | C2T1923VCG1 | 19 | 23.63 |
| C2T1931VBK1 | C2T1931VCG1 | 19 | 31.50 |
| C2T1936VBK1 | C2T1936VCG1 | 19 | 36.00 |



With 3.5" Cable Access Holes & Covers

| Part Number | | Panel Width | Rack Depth |
|----------------|----------------|-------------|------------|
| Black Textured | Beige Textured | | |
| C2T1923VCEBK1 | C2T1923VCECG1 | 19 | 23.63 |
| C2T1931VCEBK1 | C2T1931VCECG1 | 19 | 31.50 |
| C2T1936VCEBK1 | C2T1936VCECG1 | 19 | 36.00 |



RAISED VENT TOP

- 14 gauge steel construction
- Supplied with mounting hardware
- Simple up or down adjustment permits either raised installation for venting or flush mounting for smooth decorative look
- Allows for protection from falling objects or liquids
- When raised, permits convection cooling as gap between top & frame allows warm air to escape on all four sides

| Part Number | | Panel Width | Rack Depth |
|----------------|----------------|-------------|------------|
| Black Textured | Beige Textured | | |
| C2T1923RBK1 | C2T1923RCG1 | 19 | 23.63 |
| C2T1931RBK1 | C2T1931RCG1 | 19 | 31.50 |
| C2T1936RBK1 | C2T1936RCG1 | 19 | 36.00 |



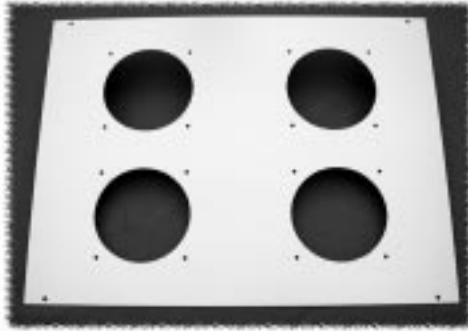
19" Rack Mount

Welded



Fan Tops (C2 Series)

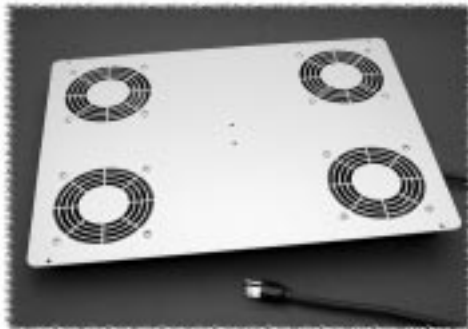
4.7" FAN TOP PANEL



- 14 gauge steel construction
- 4.7" fan top panel - fans not included (see next page)
- Quantity 4 or 6 openings depending on depth of rack
- Maximum flexibility - add fans, leave holes open (for cable access) or use covers (see next page)

| Part Number | | Panel Width | Rack Depth | Fan Holes |
|----------------|----------------|-------------|------------|-----------|
| Black Textured | Beige Textured | | | |
| C2T1923FBK1 | C2T1923FCG1 | 19 | 23.63 | 4 |
| C2T1931FBK1 | C2T1931FCG1 | 19 | 31.50 | 6 |
| C2T1936FBK1 | C2T1936FCG1 | 19 | 36.00 | 6 |

PRE-WIRED 4.7" EXHAUST FAN TOP



- Includes a quantity of 4 - long life, ball bearing, 4.7", 115 volt, 50/60 Hz. AC, 100 CFM fans (230 VAC fan tops available on special order)
- Available with or without thermostat
- Finger guards are punched into top panel and bottom of fan top
- Fans are pre-wired, installed and complete with 3 foot cord & plug

| Part Number | | Panel Width | Rack Depth | Thermostat |
|----------------|----------------|-------------|------------|------------|
| Black Textured | Beige Textured | | | |
| C2T1923F4BK1 | C2T1923F4CG1 | 19 | 23.63 | No |
| C2T1931F4BK1 | C2T1931F4CG1 | 19 | 31.50 | No |
| C2T1936F4BK1 | C2T1936F4CG1 | 19 | 36.00 | No |
| C2T1923F4TBK1 | C2T1923F4TCG1 | 19 | 23.63 | Yes |
| C2T1931F4TBK1 | C2T1931F4TCG1 | 19 | 31.50 | Yes |
| C2T1936F4TBK1 | C2T1936F4TCG1 | 19 | 36.00 | Yes |

PRE-WIRED 10" EXHAUST FAN TOP PANEL



Without Cable Access

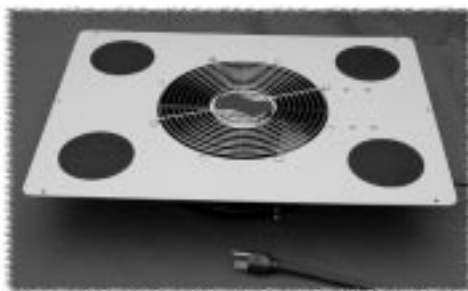
- Includes quantity 1 - 10", 550 CFM, 115 V 50/60 Hz. AC fan 35 watt motor (230 VAC fan tops available on special order)
- Thermal protected motor
- Ball bearing construction, plastic blades (3)
- Diecast aluminum body fan
- Rotation is clockwise (looking down at the rotor - as pictured on the left)
- Airflow exhausts the rack (out the top as pictured on the left)
- C UL & UL recognized
- 5' cord and molded on plug
- Top & bottom finger guards included
- Pre-wired and assembled as shown
- Available either with or without 4 cable access holes (3.5") and covers

Without Cable Access Holes

| Part Number | | Panel Width | Rack Depth |
|----------------|----------------|-------------|------------|
| Black Textured | Beige Textured | | |
| C2T1923F10BK1 | C2T1923F10CG1 | 19 | 23.63 |
| C2T1931F10BK1 | C2T1931F10CG1 | 19 | 31.50 |
| C2T1936F10BK1 | C2T1936F10CG1 | 19 | 36.00 |

With Cable Access 3.5" Holes & Covers

| Part Number | | Panel Width | Rack Depth |
|-----------------|-----------------|-------------|------------|
| Black Textured | Beige Textured | | |
| C2T1923F10CEBK1 | C2T1923F10CECG1 | 19 | 23.63 |
| C2T1931F10CEBK1 | C2T1931F10CECG1 | 19 | 31.50 |
| C2T1936F10CEBK1 | C2T1936F10CECG1 | 19 | 36.00 |



With Cable Access

19" Rack Mount

Welded

Fan Top Accessories (C2 Series)

4" FANS

- 4.70" (120mm), 1.50" deep - Tubeaxial type
- Choice of either 115 or 230 VAC, 50/60 Hz.
- Impedance protected motor Class-B insulated
- Ball bearing construction, metal blades
- Diecast aluminum body
- Rotation is counter clockwise (looking at the rotor - as pictured)
- Airflow is over the struts (out the back as pictured)
- Male plug terminated (requires fan cords below)
- UL recognized, CSA listed, CE certified
- With mounting hardware



| Part Number | Size | | VAC | CFM | Wattage | Use With Fan Guard Part Number |
|------------------------------|--------|-----|-----|-----|---------|--------------------------------|
| | Inches | mm | | | | |
| DNMF100AC115 | 4.70 | 120 | 115 | 105 | 22 | DNFG |
| DNMF100AC230 | 4.70 | 120 | 230 | 105 | 22 | DNFG |

METAL FAN GUARDS

- Constructed of steel
- For covering unused fan top openings or as 4.7" fan guards
- Hardware included

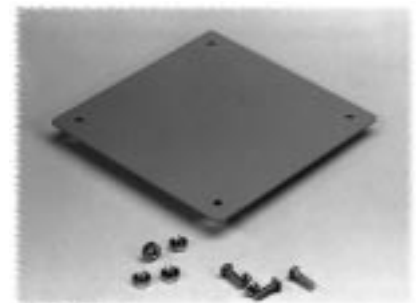
| Part Number | Color | Use with Fan Size |
|----------------------|--------------------------|-------------------|
| DNFG | Wire mesh, nickel plated | 4.7" |



4.7" FAN HOLE COVER

- Constructed of 14 gauge steel
- For covering unused fan top openings on 4.7" fan tops
- Hardware included

| Part Number | Color | Paint Finish |
|-------------------------|------------|--------------|
| DNFPBK1 | Black | Textured |
| DNFPCG1 | Grey-Beige | Textured |



FAN CORD

- For 115 VAC wiring
- Standard molded female fan plug (0.91" x 0.68")

| Part Number | Description | Lead Length | Fan Connector | 115VAC Plug |
|--------------------------|-----------------|-------------|------------------------------|-------------|
| DNMFC | Single Fan Cord | 24" | Straight | No |
| DNFC48P | Single Fan Cord | 48" | 45 degree | Yes |
| DNFC72P | Single Fan Cord | 72" | 45 degree | Yes |
| DNFCDC2P | Daisy Chain | 24" | Qty. 2- 45 degree, 24" apart | Yes |
| DNFCDC3P | Daisy Chain | 24" | Qty 3 - 45 degree, 24" apart | Yes |



19" Rack Mount

Welded

Doors (C2 Series)

SOLID DOOR



- Flush mount
- Heavy duty 16 gauge steel construction with sturdy door stiffeners welded on
- Reversible right or left opening (by inverting door)
- Features lockable latch, magnetic catch and spring loaded hinge pins for instant installation or removal
- Allows full access to space between panel rails when open
- Paint matches rack in the same rugged textured baked enamel finish

| Part Number | | Panel Height | | Use With 19" Frame Part Number |
|-----------------------------|-----------------------------|--------------|-------|--------------------------------------|
| Black Textured | Beige Textured | Inches | Units | |
| CDF1935SBK1 | CDF1935SCG1 | 35.00 | 20 | C2F1935 |
| CDF1942SBK1 | CDF1942SCG1 | 42.00 | 24 | C2F1942 |
| CDF1949SBK1 | CDF1949SCG1 | 49.00 | 28 | C2F1949 |
| CDF1956SBK1 | CDF1956SCG1 | 56.00 | 32 | C2F1956 |
| CDF1963SBK1 | CDF1963SCG1 | 63.00 | 36 | C2F1963 |
| CDF1970SBK1 | CDF1970SCG1 | 70.00 | 40 | C2F1970 |
| CDF1978SBK1 | CDF1978SCG1 | 78.75 | 45 | C2F1978 |
| CDF1985SBK1 | CDF1985SCG1 | 85.75 | 49 | C2F1985 |

LOUVERED DOOR



- Flush mount
- Heavy duty 16 gauge steel construction with sturdy door stiffeners welded on
- Opens right hand only with louvers facing down
- Features lockable latch, magnetic catch and spring loaded hinge pins for instant installation or removal
- Allows full access to space between panel rails when open
- Paint matches rack in the same rugged textured baked enamel finish

| Part Number | | Panel Height | | Use With 19" Frame Part Number |
|-----------------------------|-----------------------------|--------------|-------|--------------------------------------|
| Black Textured | Beige Textured | Inches | Units | |
| CDF1935LBK1 | CDF1935LCG1 | 35.00 | 20 | C2F1935 |
| CDF1942LBK1 | CDF1942LCG1 | 42.00 | 24 | C2F1942 |
| CDF1949LBK1 | CDF1949LCG1 | 49.00 | 28 | C2F1949 |
| CDF1956LBK1 | CDF1956LCG1 | 56.00 | 32 | C2F1956 |
| CDF1963LBK1 | CDF1963LCG1 | 63.00 | 36 | C2F1963 |
| CDF1970LBK1 | CDF1970LCG1 | 70.00 | 40 | C2F1970 |
| CDF1978LBK1 | CDF1978LCG1 | 78.75 | 45 | C2F1978 |
| CDF1985LBK1 | CDF1985LCG1 | 85.75 | 49 | C2F1985 |

PLEXI DOOR



- Flush mount
- 16 gauge steel door frame with smoked plexi glass insert
- Reversible right or left opening (by inverting door)
- Features lockable latch, magnetic catch and spring loaded hinge pins for instant installation or removal
- Allows full access to space between panel rails when open
- Frame painted with rugged textured black powder paint

| Part Number | Panel Height | | Use With 19" Frame Part Number |
|------------------------------|-------------------|--------|--------------------------------------|
| | Black Flush Plexi | Inches | |
| C2DF1935PBK1 | 35.00 | 20 | C2F1935 |
| C2DF1942PBK1 | 42.00 | 24 | C2F1942 |
| C2DF1949PBK1 | 49.00 | 28 | C2F1949 |
| C2DF1956PBK1 | 56.00 | 32 | C2F1956 |
| C2DF1963PBK1 | 63.00 | 36 | C2F1963 |
| C2DF1970PBK1 | 70.00 | 40 | C2F1970 |
| C2DF1978PBK1 | 78.75 | 45 | C2F1978 |
| C2DF1985PBK1 | 85.75 | 49 | C2F1985 |

19" Rack Mount

Welded

PERFORATED DOOR

- Flush mount
- Provides maximum ventilation while maintaining security
- Heavy Duty 16 gauge steel construction with perforated steel inserts
- Reversible right or left opening (by inverting door)
- Features lockable latch, magnetic catch and spring loaded hinge pins for instant installation or removal
- Allows full access to space between panel rails when open
- Paint matches "C2" type rack frame in the same rugged textured powder paint finish.



| Part Number | | Panel Height | | Use With 19" Frame Part Number |
|-----------------------------|-----------------------------|--------------|-------|--------------------------------------|
| Black Textured | Beige Textured | Inches | Units | |
| CDF1970VBK1 | CDF1970VCG1 | 70.00 | 40 | C2F1970 |
| CDF1978VBK1 | CDF1978VCG1 | 78.00 | 45 | C2F1978 |

VENTILATED PLEXI DOOR

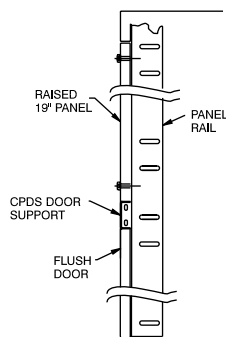
- Flush mount
- Provides airflow through cabinet and excellent equipment visibility
- 16 gauge steel door frame (ventilated) with smoked plexi glass insert
- Reversible right or left opening (by inverting door)
- Features lockable latch, magnetic catch and spring loaded hinge pins for instant installation or removal
- Allows full access to space between panel rails when open
- Complete with keyed lock and magnet strip for closure
- Frame is painted with a rugged textured black powder paint finish.



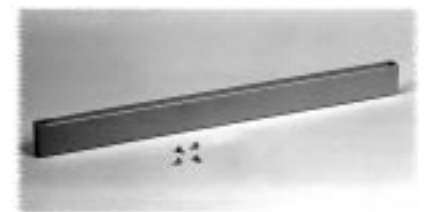
| Part Number | | Panel Height | | Use With 19" Frame Part Number |
|------------------------------|------------------------------|--------------|-------|--------------------------------------|
| Black Textured | Beige Textured | Inches | Units | |
| CDF1970VPBK1 | CDF1970VPCG1 | 70.00 | 40 | C2F1970 |
| CDF1978VPBK1 | CDF1978VPCG1 | 78.00 | 45 | C2F1978 |

19" Rack Mount

PARTIAL HEIGHT DOOR SUPPORT



- Allows partial height door installation (used when blowers are installed in bottom of rack)
- Requires drilling of rack frame
- Occupies 1.75" (1U) of panel height
- Door support is 0.75" deep



| Part Number | | For Panel Width |
|---------------------------|---------------------------|-----------------------|
| Black Textured | Beige Textured | |
| CPDS19BK1 | CPDS19CG1 | 19" |

Welded



Exclusive Accessories (C2 Series)

GANGING KIT



- Complete hardware kit allowing two racks to be ganged at six points along vertical frame side.
- Part Number **CGH01**

EXTRA LEVELLING FEET



- Contempra racks all **INCLUDE** 4 nylon base levelling feet
- Set of 4
- Four levelling feet will support a maximum of 800 lbs.
- Part Number **CLFK** for standard nylon base
- Part Number **CLFKNS** for nonskid rubber base

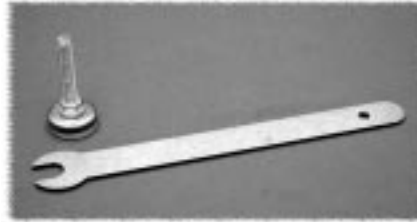
GROUND BUS BARS



| Part Number | Use With Rack Part Number |
|--------------|---------------------------|
| CBB35 | C2F1935 |
| CBB42 | C2F1942 |
| CBB49 | C2F1949 |
| CBB56 | C2F1956 |
| CBB63 | C2F1963 |
| CBB70 | C2F1970 |
| CBB78 | C2F1978 |
| CBB85 | C2F1985 |

- Full length copper strip 0.13" x 0.63"
- Includes hardware for mounting on rack frame side struts

LEVELLING FOOT WRENCH



- Laser cut flat steel wrench
- Designed for easy levelling under frame
- Part Number **RFLW**

DESK UNIT



- Constructed of beige laminate and 14 gauge steel support channels
- Ideal for writing surface, keyboard or instrument mounting requirements
- Mounts onto rails, but is notched on both sides for flush fit with cabinet sides.
- Part Number **CW19CG4**

TRIM KIT



- Extruded aluminum dress kit with black inlay (ideal for custom identification)
- Attaches with strong adhesive requiring no drilling or hardware
- Compatible with flush doors only
- Part Number **C2ID19**

BLOWER ADAPTER KIT



- This blower mounting kit mounts flush with both the rack frame face and any flush door
- Allows use of 5.25" (3U) blowers
- Also used for cable access where large bundles of wires are used

| Part Number | | For Use with Flush Door Part Number | For Panel Height | |
|-------------------|-------------------|-------------------------------------|------------------|-------|
| Black Textured | Beige Textured | | Inches | Units |
| CBA1975BK1 | CBA1975CG1 | CDF1935 or C2DF1935 | 42.00 | 24 |
| CBA1975BK1 | CBA1975CG1 | CDF1942 or C2DF1942 | 49.00 | 28 |
| CBA1975BK1 | CBA1975CG1 | CDF1949 or C2DF1949 | 56.00 | 32 |
| CBA1975BK1 | CBA1975CG1 | CDF1956 or C2DF1956 | 63.00 | 36 |
| CBA1975BK1 | CBA1975CG1 | CDF1963 or C2DF1963 | 70.00 | 40 |
| CBA1985BK1 | CBA1985CG1 | CDF1970 or C2DF1970 | 78.75 | 45 |

19" Rack Mount

Welded