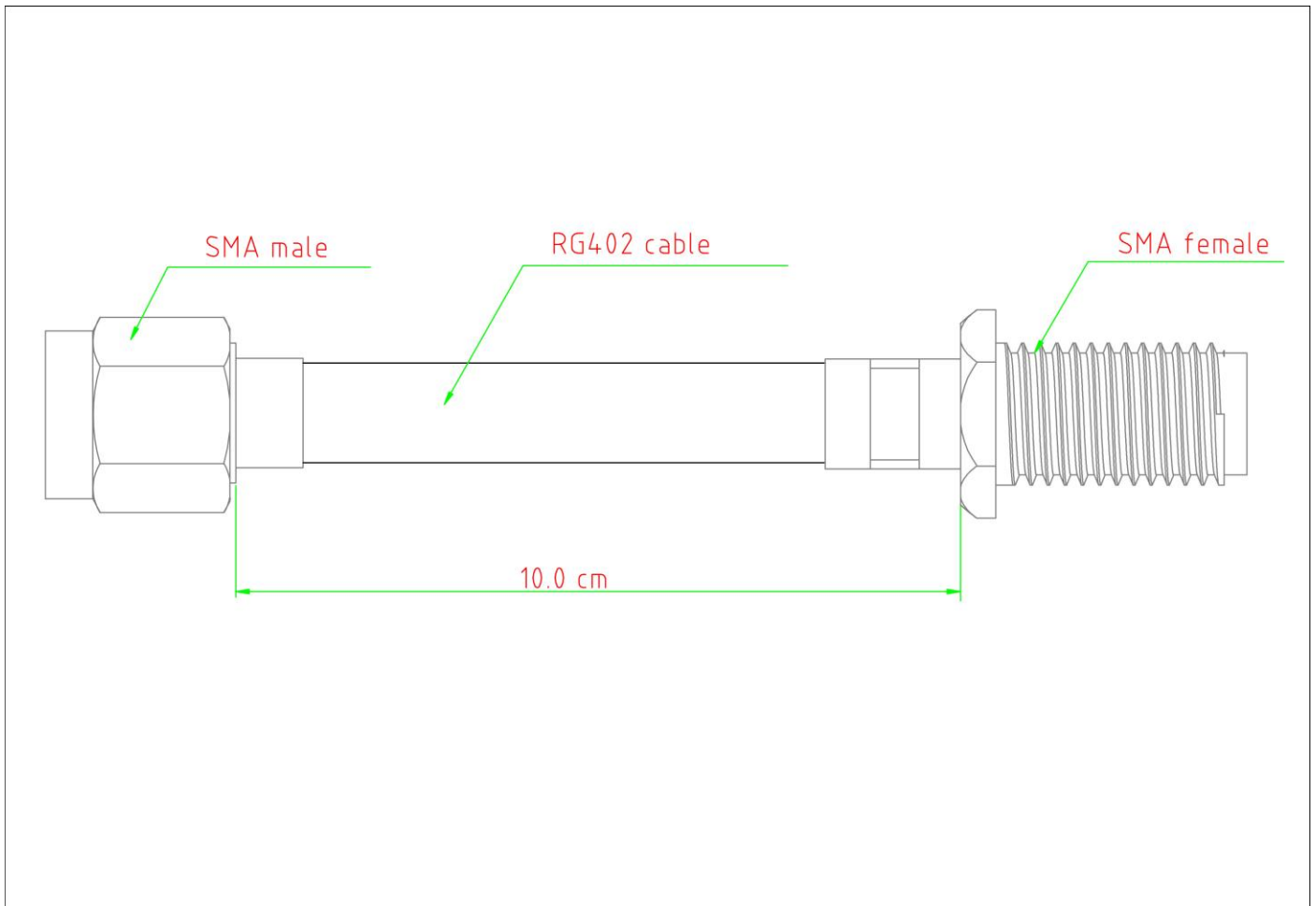
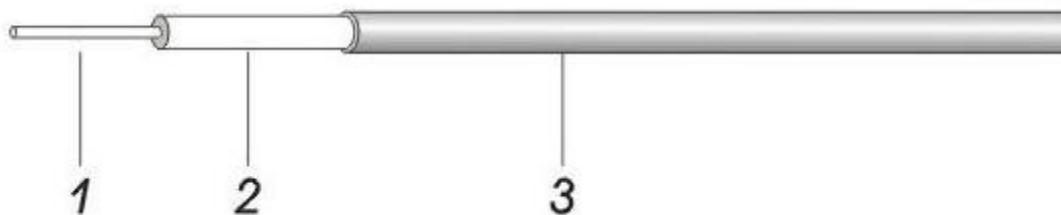


# 10cm SMA plug male to SMA plug female Semi-Flexible-.141' cable RG402



## RG402



### CABLE PHYSICAL PROPERTIES

	Material	Diameter(mm)
1. Inner conductor	Silver Plated copper clad steel	0.93
	Silver Plated Copper	
2. Insulation	PTFE	3.00
3. Outer conductor	Copper Tube	3.58

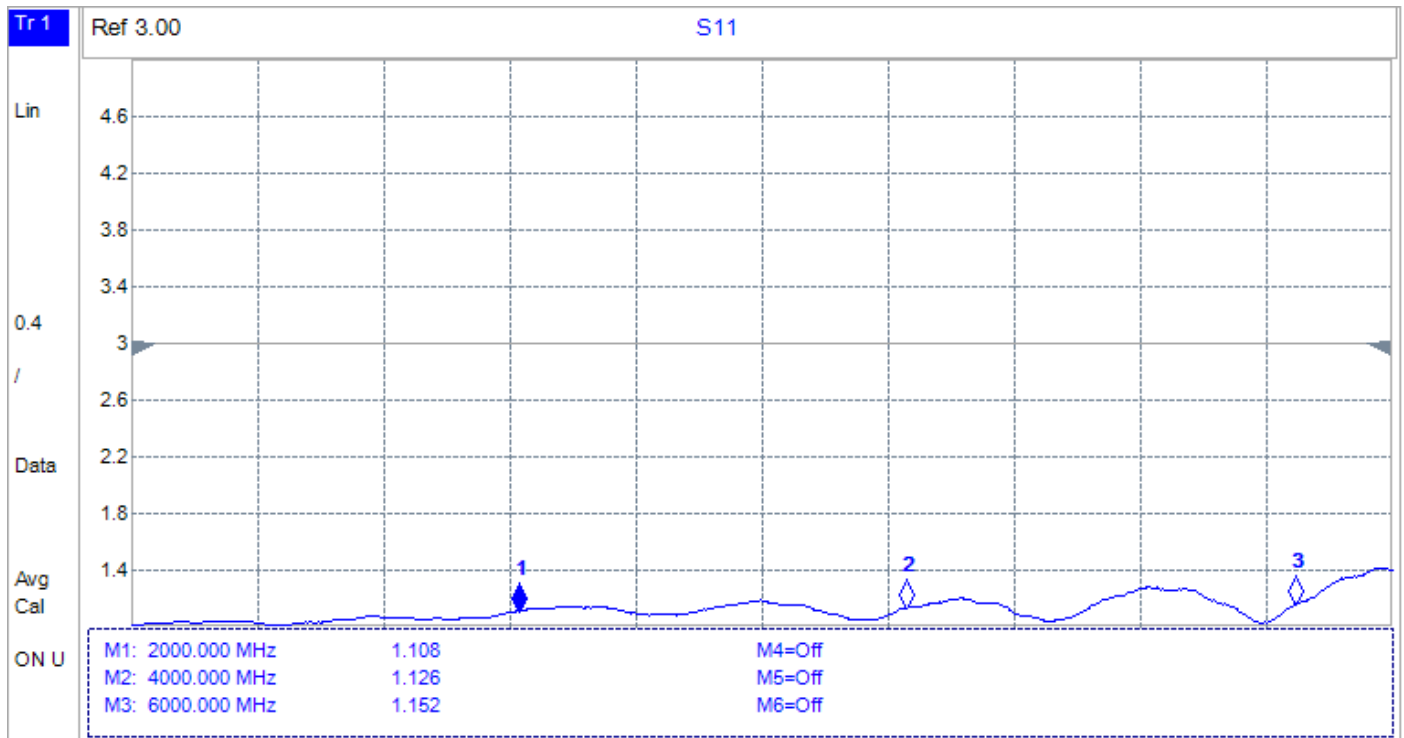
## CABLE ELECTRICAL PROPERTIES

Nom. Capacitance Conductor to Shield(pF/m)	95.1
Nom. Characteristic Impedance(ohm)	50
Corona Extinction Voltage(VRMS@60Hz)	1.9
Voltage Withstanding (VRMS@60Hz)	5.0
Min. Bend Radius(Install)(mm)	12.5
Outer Conductor Integrity Temp.(°C)	175
Operating Temp. (°C)	-55~+125
Moding Frequency(GHz)	34
Max attenuation at 6GHz (dB)	0.3

### Nom. Attenuation

Frequency(MHz)	Nom. Attenuation(≧dB/m)
500	0.26
1000	0.37
3000	0.72
5000	0.91

## VSWR Response



## Attenuation Response

