

# MICRO SWITCH

FREEPORT ILLINOIS, U.S.A  
A DIVISION OF HONEYWELL  
FED. MFG. CODE 91929

# SWITCH-ACTUATOR

CATALOG LISTING  
**JM-25**

5

JM-25

M

DRAWING NUMBER

ISSUE  
X 6  
X 5  
X 4

REVISIONS

A	PR-6001	R J W	6 JUL 77
B	CO47771	C J H	17 MAY 80
C	CO74852	J D B	25 MAY 93
D	CO79303	DLT	7 MAR 95
E	0015428	SPK	14SEP05

REPLACES

RELEASE NO. PR-6001

14SEP05

RJ

CHECK

77

27 JUN 77

CG

CHECK

77

27 JUN 77

DAW

CHECK

77

27 JUN 77

DAW

CHECK

77

27 JUN 77

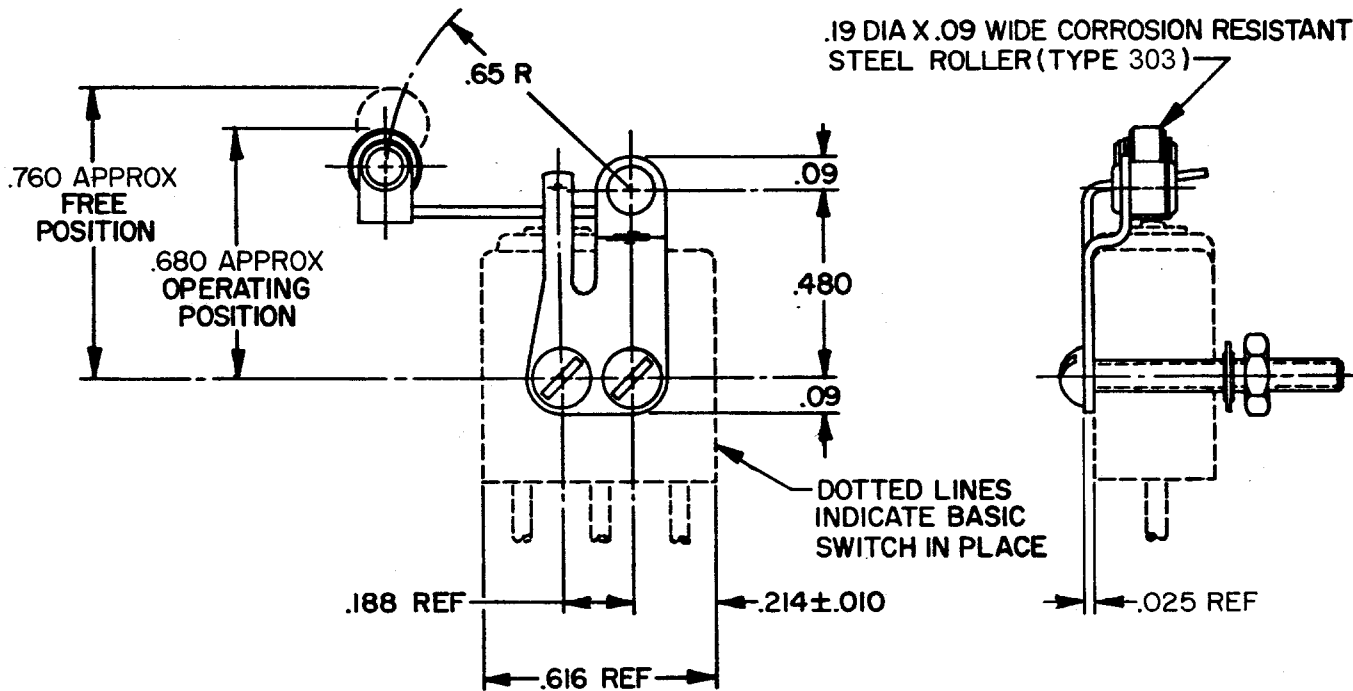
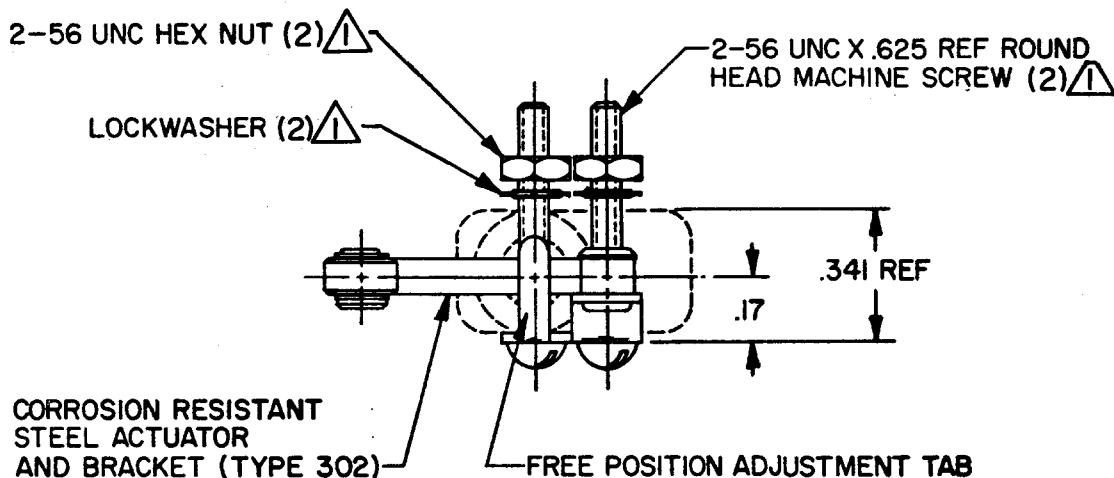
DAW

CHECK

77

27 JUN 77

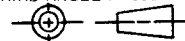
DAW



NOTE -  
 ① FURNISHED UNASSEMBLED  
 ② CHARACTERISTICS TAKEN WITH IXE401-6 BASIC SWITCH INSTALLED

THIS DRAWING COVERS A PROPRIETARY ITEM AND IS THE PROPERTY OF MICRO SWITCH, A DIVISION OF HONEYWELL. THIS DRAWING IS NOT TO BE COPIED OR USED WITHOUT THE APPROVAL OF MICRO SWITCH.

THIRD ANGLE PROJECTION



CHARACTERISTICS	
OPERATING FORCE	5.5 OZ MAX
RELEASE FORCE	4 GRAMS MIN
DIFFERENTIAL TRAVEL	.030 MAX
OVERTRAVEL	.020 MIN

ELECTRICAL DATA  
CONTACT ARRANGEMENT

SCALE 2 TO 1

DO NOT SCALE PRINT

TOLERANCES  
APPLY TO DESIGN UNITS. CONVERSIONS ARE ONLY FOR REFERENCE. UNLESS NOTED, TOLERANCES ARE ±

DIM.	TOL.	DIM.	TOL.
mm	mm/in	in	mm/in
NO PLACES	X	1/.04	
ONE PLACE	X,X	0.4/.016	X,X 0.8/.03
TWO PLACES	X,XX	0.15/.006	X,XX 0.38/.016
THREE PLACES	X,XXX		X,XXX 0.13/.005

DESIGN UNITS  METRIC  US CUSTOMARY

WEIGHT

FO-52848-A

DRAWN

K P K24 JUN 77