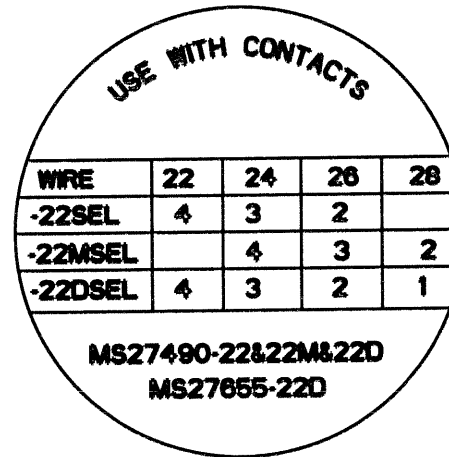
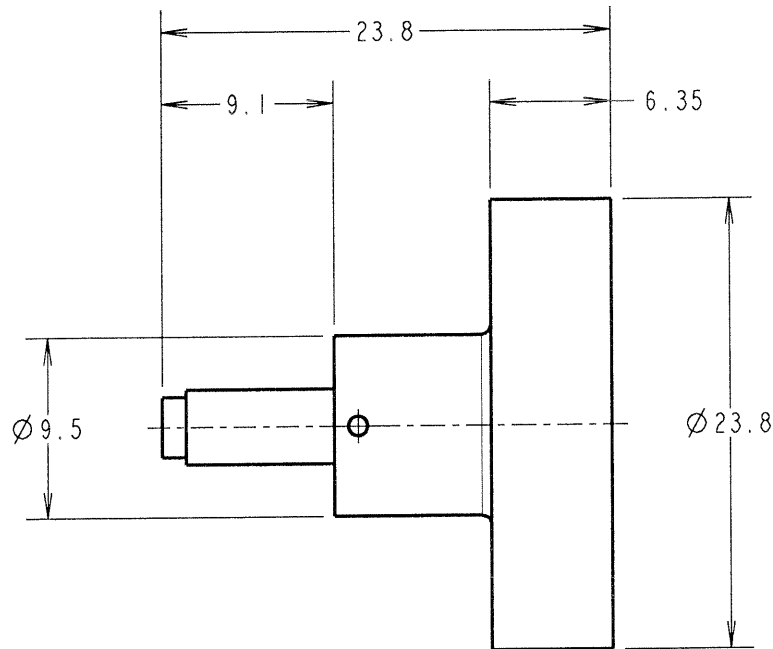


DATAPLATE



| | | | |
|-----------------------------|------|----------|--------|
| JMB | 1 | 13.12.06 | ---- |
| NAME | ISS. | DATE | C/NOTE |
| APPROVED: <i>JMB</i> | | | |
| CHECKED: <i>[Signature]</i> | | | |
| DRAWN: JM BROOKES | | | |
| CUSTOMER REF.: | | | |
| ASSEMBLY DRG: | | | |

HARWIN

| | | |
|--|--|--|
| HARWIN USA TEL: 603 893 5376 FAX: 603 893 5396 mis@harwin.com | HARWIN Europe (UK) TEL: 023 9231 4545 FAX: 023 9231 4590 mis@harwin.co.uk | HARWIN Asia TEL: +65 6 779 4909 FAX: +65 6 779 3868 mis@harwin.com.sg |
|--|--|--|

THIS DRAWING AND ANY INFORMATION OR DESCRIPTIVE MATTER SET OUT HEREON ARE CONFIDENTIAL AND COPYRIGHT PROPERTY OF THE HARWIN GROUP AND MUST NOT BE DISCLOSED, LOANED, COPIED OR USED FOR MANUFACTURING, TENDERING OR FOR ANY OTHER PURPOSE WITHOUT THEIR WRITTEN PERMISSION.

TOLERANCES
X. = ±1mm
X.X = ±0.25mm
X.XX = ±0.10mm
X.XXX = ±0.01mm
ANGLES = ±5°
UNLESS STATED

MATERIAL:
FINISH:
S/AREA: mm²

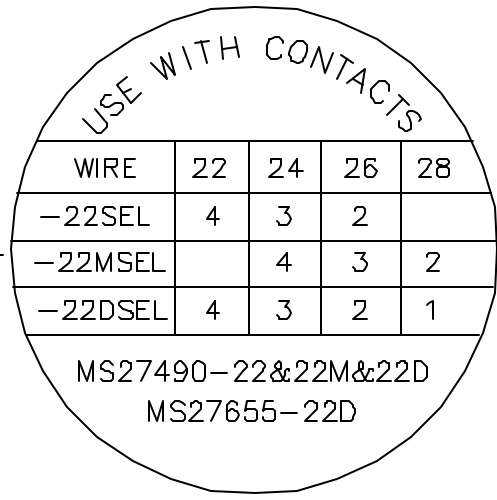
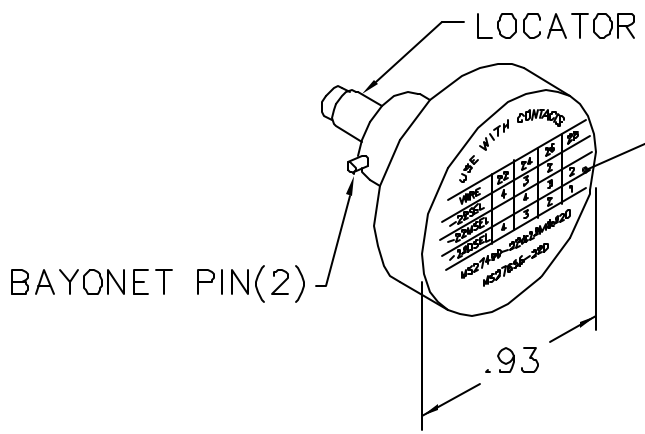
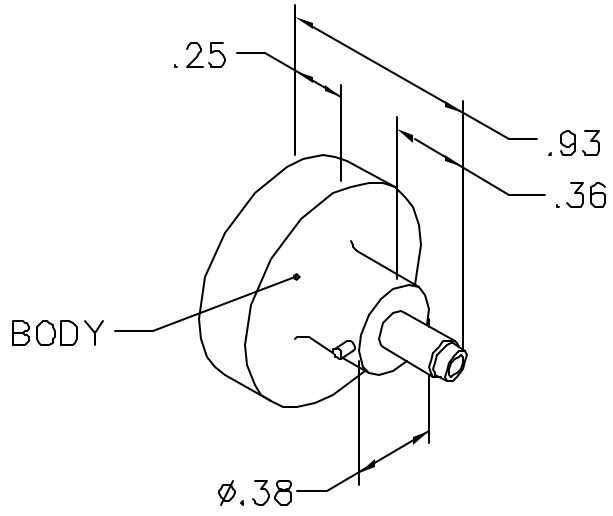
TITLE: CRIMP POSITIONER
M22520/2-07 (K40)

DRAWING NUMBER: Z108512C

SHT 1 OF 1

| REVISIONS | | | | |
|-----------|---------------|-------------|-----------------|-----------------|
| REV. SYM. | E.C.O. NUMBER | DESCRIPTION | BY DATE | APP'D DATE |
| 2 | | REDRAWN | AAM 10-29-99 | RRR 10-29-99 |

**UNCONTROLLED DOCUMENT
WILL NOT BE UPDATED**



DATAPLATE

NOTE: FOR USE WITH DANIELS CRIMP TOOLS
ACCOMMODATING "K" SERIES POSITIONERS

| LOCATOR | |
|------------------------------|---------------------|
| HOLE DIMENSIONS | ADDITIONAL FEATURES |
| ϕ .073 ∇ .745 | / |

RESTRICTED & CONFIDENTIAL

CONFIDENTIAL PROPERTY OF DANIELS MANUFACTURING CORP. NOT TO BE DISCLOSED TO OTHERS, REPRODUCED OR USED FOR ANY OTHER PURPOSE, EXCEPT AS AUTHORIZED IN WRITING BY DANIELS MANUFACTURING.

MUST BE RETURNED TO DANIELS MANUFACTURING CORP. ON COMPLETION OF ORDER OR OTHER PURPOSE FOR WHICH LENT.

DO NOT SCALE DRAWING

| | | |
|--------|-----|------|
| DRN. | LMS | DATE |
| CHK'D. | DC | DATE |
| APP'D. | | DATE |
| APP'D. | | DATE |

DANIELS MANUFACTURING CORP.
ORLANDO, FLORIDA
CAGE 11851

TITLE
ENVELOPE DRAWING
POSITIONER

WHERE USED: AFMB

| | | | | |
|---------|-------|---------|-------|----|
| SIZE | SCALE | CAD P/N | SHEET | OF |
| A | NTS | K40-ENV | 1 | 1 |
| POSTING | P/N | K40-ENV | REV. | |
| | | | 2 | |