

RAFIX 16 F - Pushbutton, illuminated, flush lens**1.30.090.081/0000****General information**

| | |
|-----------------|-----------|
| Form of lens | flat lens |
| Color of lens | black |
| Form of collar | round |
| Color of collar | black |

Dimensions

| | |
|-----------------------------------|------------|
| Collar dimensions | ø 28 mm |
| Overall height | 1.9 mm |
| Mounting depth with contact block | 50 mm |
| Key grid | 30 x 30 mm |
| Mounting hole | ø 22.3 mm |

Mechanical design

| | |
|------------------|-----------------------|
| Mounting | ring nut |
| Contact function | je nach Schaltelement |
| Illumination | ring illumination |

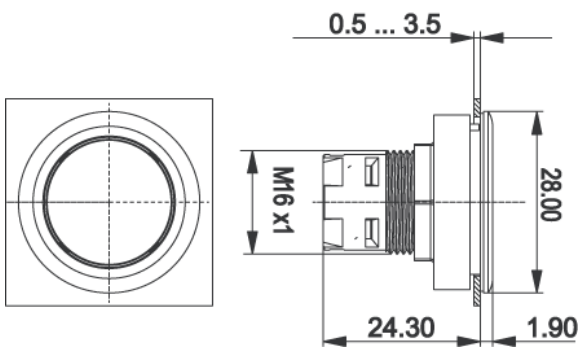
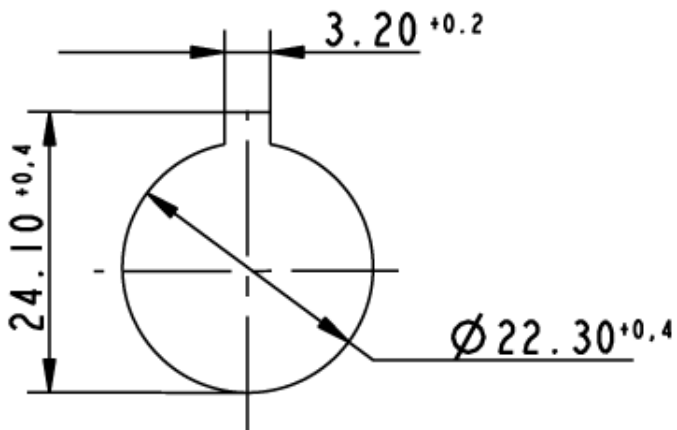
Mechanical characteristics

| | |
|-----------------|-------|
| Robustness max. | 100 N |
|-----------------|-------|

Other specifications

| | |
|---|--|
| Operating life (operations) | 2,000,000 cycle |
| Degree of protection from front side | IP65 (DIN EN 60529) |
| Operation temperature min. | -25 °C |
| Ambient temp. operating max. without lamp / LED | +70 °C |
| Ambient temp. operating max. with lamp /LED | +55 °C |
| Storage temperature min. | -40 °C |
| Storage temperature max. | +85 °C |
| Environmental resistance | acc. to IEC 60068-2-14, -30, -33 and -78 |
| ROHS compliant | yes |
| REACH compliant | yes |

Panel cut-out to IEC 60947-5-1



operating element and contact block

