

74AUP2G240

Low-power dual inverting buffer/line driver; 3-state

Rev. 9 — 19 March 2019

Product data sheet

1. General description

The 74AUP2G240 provides the dual inverting buffer/line driver with 3-state output. The 3-state output is controlled by the output enable input (\overline{nOE}). A HIGH level at pin \overline{nOE} causes the output to assume a high-impedance OFF-state.

Schmitt-trigger action at all inputs makes the circuit tolerant to slower input rise and fall times across the entire V_{CC} range from 0.8 V to 3.6 V.

This device ensures a very low static and dynamic power consumption across the entire V_{CC} range from 0.8 V to 3.6 V.

This device is fully specified for partial Power-down applications using I_{OFF} . The I_{OFF} circuitry disables the output, preventing the damaging backflow current through the device when it is powered down.

This device has the input-disable feature, which allows floating input signals. The inputs are disabled when the output enable input \overline{nOE} is HIGH.

2. Features and benefits

- Wide supply voltage range from 0.8 V to 3.6 V
- High noise immunity
- Complies with JEDEC standards:
 - JESD8-12 (0.8 V to 1.3 V)
 - JESD8-11 (0.9 V to 1.65 V)
 - JESD8-7 (1.2 V to 1.95 V)
 - JESD8-5 (1.8 V to 2.7 V)
 - JESD8-B (2.7 V to 3.6 V)
- ESD protection:
 - HBM JESD22-A114F Class 3A exceeds 5000 V
 - MM JESD22-A115-A exceeds 200 V
 - CDM JESD22-C101E exceeds 1000 V
- Low static power consumption; $I_{CC} = 0.9 \mu\text{A}$ (maximum)
- Latch-up performance exceeds 100 mA per JESD78 Class II
- Inputs accept voltages up to 3.6 V
- Low-noise overshoot and undershoot < 10 % of V_{CC}
- Input-disable feature allows floating input conditions
- I_{OFF} circuitry provides partial Power-down mode operation
- Multiple package options
- Specified from -40 °C to +85 °C and -40 °C to +125 °C

3. Ordering information

Table 1. Ordering information

| Type number | Package | | | Version |
|--------------|-------------------|--------|---|----------|
| | Temperature range | Name | Description | |
| 74AUP2G240DC | -40 °C to +125 °C | VSSOP8 | plastic very thin shrink small outline package; 8 leads; body width 2.3 mm | SOT765-1 |
| 74AUP2G240GT | -40 °C to +125 °C | XSON8 | plastic extremely thin small outline package; no leads; 8 terminals; body 1 × 1.95 × 0.5 mm | SOT833-1 |
| 74AUP2G240GF | -40 °C to +125 °C | XSON8 | extremely thin small outline package; no leads; 8 terminals; body 1.35 × 1 × 0.5 mm | SOT1089 |
| 74AUP2G240GM | -40 °C to +125 °C | XQFN8 | plastic, extremely thin quad flat package; no leads; 8 terminals; body 1.6 × 1.6 × 0.5 mm | SOT902-2 |
| 74AUP2G240GN | -40 °C to +125 °C | XSON8 | extremely thin small outline package; no leads; 8 terminals; body 1.2 × 1.0 × 0.35 mm | SOT1116 |
| 74AUP2G240GS | -40 °C to +125 °C | XSON8 | extremely thin small outline package; no leads; 8 terminals; body 1.35 × 1.0 × 0.35 mm | SOT1203 |

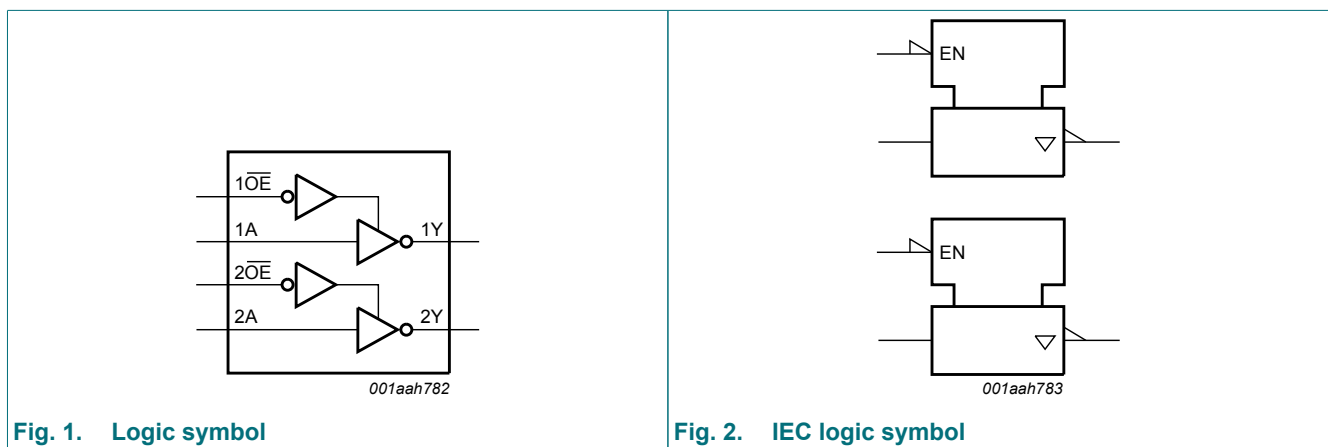
4. Marking

Table 2. Marking codes

| Type number | Marking code [1] |
|--------------|------------------|
| 74AUP2G240DC | p40 |
| 74AUP2G240GT | p40 |
| 74AUP2G240GF | p2 |
| 74AUP2G240GM | p40 |
| 74AUP2G240GN | p2 |
| 74AUP2G240GS | p2 |

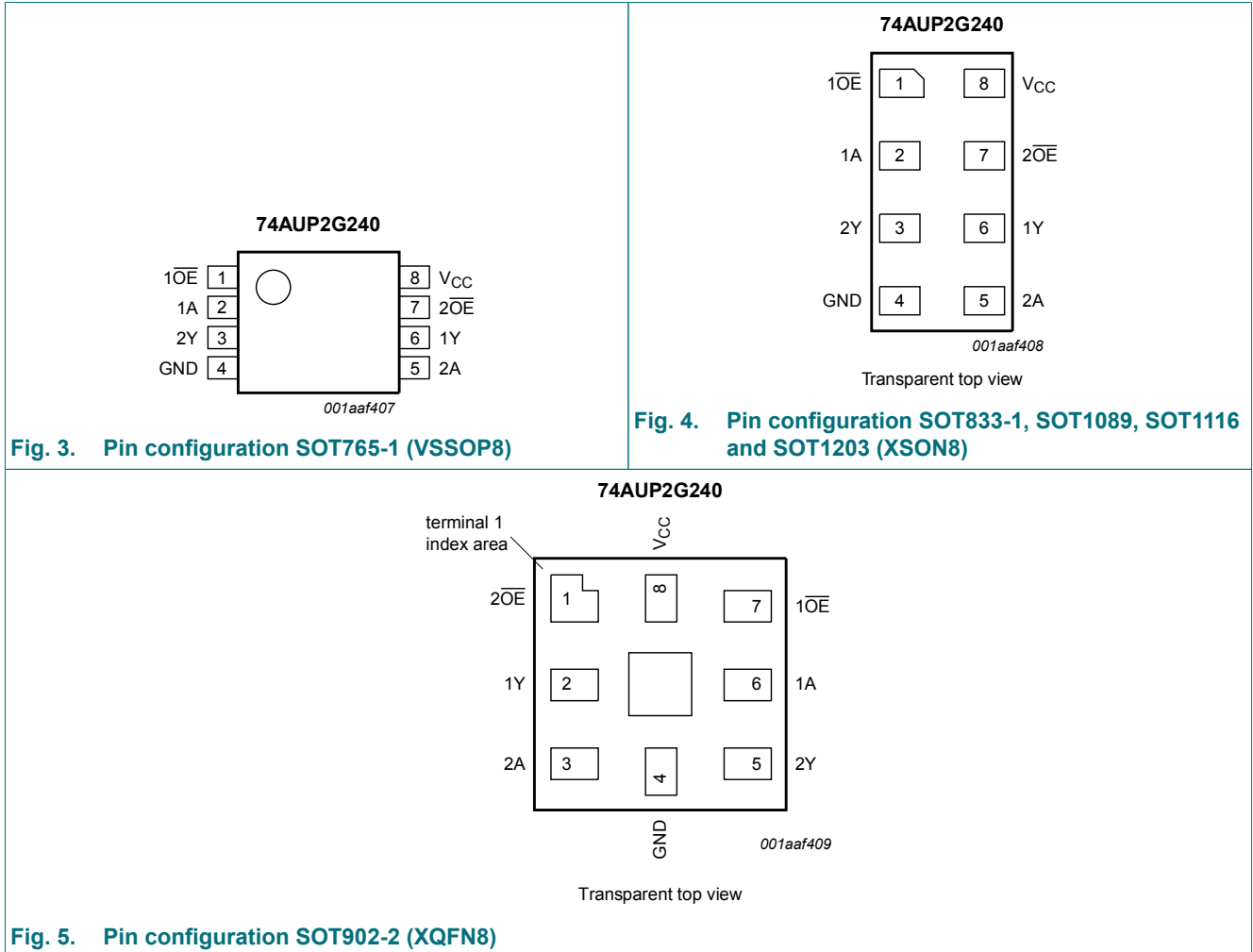
[1] The pin 1 indicator is located on the lower left corner of the device, below the marking code.

5. Functional diagram



6. Pinning information

6.1. Pinning



6.2. Pin description

Table 3. Pin description

| Symbol | Pin | | Description |
|----------|--|----------|----------------------------------|
| | SOT765-1, SOT833-1, SOT1089, SOT1116 and SOT1203 | SOT902-2 | |
| 1OE, 2OE | 1, 7 | 7, 1 | output enable input (active LOW) |
| 1A, 2A | 2, 5 | 6, 3 | data input |
| GND | 4 | 4 | ground (0 V) |
| 1Y, 2Y | 6, 3 | 2, 5 | data output |
| VCC | 8 | 8 | supply voltage |

7. Functional description

Table 4. Function table

H = HIGH voltage level; L = LOW voltage level; X = don't care; Z = high-impedance OFF-state.

| Input | | Output |
|-------|----|--------|
| nOE | nA | nY |
| L | L | H |
| L | H | L |
| H | X | Z |

8. Limiting values

Table 5. Limiting values

In accordance with the Absolute Maximum Rating System (IEC 60134). Voltages are referenced to GND (ground = 0 V).

| Symbol | Parameter | Conditions | Min | Max | Unit |
|-----------|-------------------------|-------------------------------------|------|------|------|
| V_{CC} | supply voltage | | -0.5 | +4.6 | V |
| I_{IK} | input clamping current | $V_I < 0$ V | -50 | - | mA |
| V_I | input voltage | [1] | -0.5 | +4.6 | V |
| I_{OK} | output clamping current | $V_O < 0$ V | -50 | - | mA |
| V_O | output voltage | Active mode and Power-down mode [1] | -0.5 | +4.6 | V |
| I_O | output current | $V_O = 0$ V to V_{CC} | - | ±20 | mA |
| I_{CC} | supply current | | - | 50 | mA |
| I_{GND} | ground current | | -50 | - | mA |
| T_{stg} | storage temperature | | -65 | +150 | °C |
| P_{tot} | total power dissipation | $T_{amb} = -40$ °C to +125 °C [2] | - | 250 | mW |

[1] The minimum input and output voltage ratings may be exceeded if the input and output current ratings are observed.

[2] For VSSOP8 packages: above 110 °C the value of P_{tot} derates linearly with 8.0 mW/K.
For XSON8 and XQFN8 packages: above 118 °C the value of P_{tot} derates linearly with 7.8 mW/K.

9. Recommended operating conditions

Table 6. Operating conditions

| Symbol | Parameter | Conditions | Min | Max | Unit |
|---------------------|-------------------------------------|---------------------------------|-----|----------|------|
| V_{CC} | supply voltage | | 0.8 | 3.6 | V |
| V_I | input voltage | | 0 | 3.6 | V |
| V_O | output voltage | Active mode | 0 | V_{CC} | V |
| | | Power-down mode; $V_{CC} = 0$ V | 0 | 3.6 | V |
| T_{amb} | ambient temperature | | -40 | +125 | °C |
| $\Delta t/\Delta V$ | input transition rise and fall rate | $V_{CC} = 0.8$ V to 3.6 V | 0 | 200 | ns/V |

10. Static characteristics

Table 7. Static characteristics

At recommended operating conditions; voltages are referenced to GND (ground = 0 V).

| Symbol | Parameter | Conditions | Min | Typ | Max | Unit |
|--------------------------------|--------------------------------------|---|-----------------------|-----|---------------------|------|
| T_{amb} = 25 °C | | | | | | |
| V _{IH} | HIGH-level input voltage | V _{CC} = 0.8 V | 0.70V _{CC} | - | - | V |
| | | V _{CC} = 0.9 V to 1.95 V | 0.65V _{CC} | - | - | V |
| | | V _{CC} = 2.3 V to 2.7 V | 1.6 | - | - | V |
| | | V _{CC} = 3.0 V to 3.6 V | 2.0 | - | - | V |
| V _{IL} | LOW-level input voltage | V _{CC} = 0.8 V | - | - | 0.30V _{CC} | V |
| | | V _{CC} = 0.9 V to 1.95 V | - | - | 0.35V _{CC} | V |
| | | V _{CC} = 2.3 V to 2.7 V | - | - | 0.7 | V |
| | | V _{CC} = 3.0 V to 3.6 V | - | - | 0.9 | V |
| V _{OH} | HIGH-level output voltage | V _I = V _{IH} or V _{IL} | | | | |
| | | I _O = -20 µA; V _{CC} = 0.8 V to 3.6 V | V _{CC} - 0.1 | - | - | V |
| | | I _O = -1.1 mA; V _{CC} = 1.1 V | 0.75V _{CC} | - | - | V |
| | | I _O = -1.7 mA; V _{CC} = 1.4 V | 1.11 | - | - | V |
| | | I _O = -1.9 mA; V _{CC} = 1.65 V | 1.32 | - | - | V |
| | | I _O = -2.3 mA; V _{CC} = 2.3 V | 2.05 | - | - | V |
| | | I _O = -3.1 mA; V _{CC} = 2.3 V | 1.9 | - | - | V |
| | | I _O = -2.7 mA; V _{CC} = 3.0 V | 2.72 | - | - | V |
| V _{OL} | LOW-level output voltage | V _I = V _{IH} or V _{IL} | | | | |
| | | I _O = 20 µA; V _{CC} = 0.8 V to 3.6 V | - | - | 0.1 | V |
| | | I _O = 1.1 mA; V _{CC} = 1.1 V | - | - | 0.3V _{CC} | V |
| | | I _O = 1.7 mA; V _{CC} = 1.4 V | - | - | 0.31 | V |
| | | I _O = 1.9 mA; V _{CC} = 1.65 V | - | - | 0.31 | V |
| | | I _O = 2.3 mA; V _{CC} = 2.3 V | - | - | 0.31 | V |
| | | I _O = 3.1 mA; V _{CC} = 2.3 V | - | - | 0.44 | V |
| | | I _O = 2.7 mA; V _{CC} = 3.0 V | - | - | 0.31 | V |
| I _I | input leakage current | V _I = GND to 3.6 V; V _{CC} = 0 V to 3.6 V | - | - | ±0.1 | µA |
| | | | | | | |
| I _{OZ} | OFF-state output current | V _I = V _{IH} or V _{IL} ; V _O = 0 V to 3.6 V; V _{CC} = 0 V to 3.6 V | - | - | ±0.1 | µA |
| I _{OFF} | power-off leakage current | V _I or V _O = 0 V to 3.6 V; V _{CC} = 0 V | - | - | ±0.2 | µA |
| ΔI _{OFF} | additional power-off leakage current | V _I or V _O = 0 V to 3.6 V; V _{CC} = 0 V to 0.2 V | - | - | ±0.2 | µA |
| I _{CC} | supply current | V _I = GND or V _{CC} ; I _O = 0 A; V _{CC} = 0.8 V to 3.6 V | - | - | 0.5 | µA |
| ΔI _{CC} | additional supply current | data input; V _I = V _{CC} - 0.6 V; I _O = 0 A; V _{CC} = 3.3 V | [1] | - | 40 | µA |
| | | n $\overline{\text{OE}}$ input; V _I = V _{CC} - 0.6 V; I _O = 0 A; V _{CC} = 3.3 V | [1] | - | 110 | µA |
| | | disabled inputs; V _I = GND to 3.6 V; n $\overline{\text{OE}}$ = V _{CC} ; V _{CC} = 0.8 V to 3.6 V | - | - | 1 | µA |

Low-power dual inverting buffer/line driver; 3-state

| Symbol | Parameter | Conditions | Min | Typ | Max | Unit |
|---|--------------------------------------|--|-----------------------|-----|---------------------|------|
| C _I | input capacitance | V _{CC} = 0 V to 3.6 V; V _I = GND or V _{CC} | - | 0.6 | - | pF |
| C _O | output capacitance | output enabled; V _O = GND; V _{CC} = 0 V | - | 1.7 | - | pF |
| | | output disabled; V _{CC} = 0 V to 3.6 V; V _O = GND or V _{CC} | - | 1.5 | - | pF |
| T_{amb} = -40 °C to +85 °C | | | | | | |
| V _{IH} | HIGH-level input voltage | V _{CC} = 0.8 V | 0.70V _{CC} | - | - | V |
| | | V _{CC} = 0.9 V to 1.95 V | 0.65V _{CC} | - | - | V |
| | | V _{CC} = 2.3 V to 2.7 V | 1.6 | - | - | V |
| | | V _{CC} = 3.0 V to 3.6 V | 2.0 | - | - | V |
| V _{IL} | LOW-level input voltage | V _{CC} = 0.8 V | - | - | 0.30V _{CC} | V |
| | | V _{CC} = 0.9 V to 1.95 V | - | - | 0.35V _{CC} | V |
| | | V _{CC} = 2.3 V to 2.7 V | - | - | 0.7 | V |
| | | V _{CC} = 3.0 V to 3.6 V | - | - | 0.9 | V |
| V _{OH} | HIGH-level output voltage | V _I = V _{IH} or V _{IL} | | | | |
| | | I _O = -20 µA; V _{CC} = 0.8 V to 3.6 V | V _{CC} - 0.1 | - | - | V |
| | | I _O = -1.1 mA; V _{CC} = 1.1 V | 0.7V _{CC} | - | - | V |
| | | I _O = -1.7 mA; V _{CC} = 1.4 V | 1.03 | - | - | V |
| | | I _O = -1.9 mA; V _{CC} = 1.65 V | 1.30 | - | - | V |
| | | I _O = -2.3 mA; V _{CC} = 2.3 V | 1.97 | - | - | V |
| | | I _O = -3.1 mA; V _{CC} = 2.3 V | 1.85 | - | - | V |
| | | I _O = -2.7 mA; V _{CC} = 3.0 V | 2.67 | - | - | V |
| V _{OL} | LOW-level output voltage | V _I = V _{IH} or V _{IL} | | | | |
| | | I _O = 20 µA; V _{CC} = 0.8 V to 3.6 V | - | - | 0.1 | V |
| | | I _O = 1.1 mA; V _{CC} = 1.1 V | - | - | 0.3V _{CC} | V |
| | | I _O = 1.7 mA; V _{CC} = 1.4 V | - | - | 0.37 | V |
| | | I _O = 1.9 mA; V _{CC} = 1.65 V | - | - | 0.35 | V |
| | | I _O = 2.3 mA; V _{CC} = 2.3 V | - | - | 0.33 | V |
| | | I _O = 3.1 mA; V _{CC} = 2.3 V | - | - | 0.45 | V |
| | | I _O = 2.7 mA; V _{CC} = 3.0 V | - | - | 0.33 | V |
| I _I | input leakage current | V _I = GND to 3.6 V; V _{CC} = 0 V to 3.6 V | - | - | ±0.5 | µA |
| | | V _I = V _{IH} or V _{IL} ; V _O = 0 V to 3.6 V; V _{CC} = 0 V to 3.6 V | - | - | ±0.5 | µA |
| I _{OFF} | power-off leakage current | V _I or V _O = 0 V to 3.6 V; V _{CC} = 0 V | - | - | ±0.5 | µA |
| ΔI _{OFF} | additional power-off leakage current | V _I or V _O = 0 V to 3.6 V; V _{CC} = 0 V to 0.2 V | - | - | ±0.6 | µA |
| I _{CC} | supply current | V _I = GND or V _{CC} ; I _O = 0 A; V _{CC} = 0.8 V to 3.6 V | - | - | 0.9 | µA |
| ΔI _{CC} | additional supply current | data input; V _I = V _{CC} - 0.6 V; I _O = 0 A; V _{CC} = 3.3 V | [1] | - | 50 | µA |
| | | n $\overline{O}E$ input; V _I = V _{CC} - 0.6 V; I _O = 0 A; V _{CC} = 3.3 V | [1] | - | 120 | µA |
| | | disabled inputs; V _I = GND to 3.6 V; n $\overline{O}E$ = V _{CC} ; V _{CC} = 0.8 V to 3.6 V | - | - | 1 | µA |

| Symbol | Parameter | Conditions | Min | Typ | Max | Unit |
|--|--------------------------------------|---|------------------------|-----|---------------------|------|
| T_{amb} = -40 °C to +125 °C | | | | | | |
| V _{IH} | HIGH-level input voltage | V _{CC} = 0.8 V | 0.75V _{CC} | - | - | V |
| | | V _{CC} = 0.9 V to 1.95 V | 0.70V _{CC} | - | - | V |
| | | V _{CC} = 2.3 V to 2.7 V | 1.6 | - | - | V |
| | | V _{CC} = 3.0 V to 3.6 V | 2.0 | - | - | V |
| V _{IL} | LOW-level input voltage | V _{CC} = 0.8 V | - | - | 0.25V _{CC} | V |
| | | V _{CC} = 0.9 V to 1.95 V | - | - | 0.30V _{CC} | V |
| | | V _{CC} = 2.3 V to 2.7 V | - | - | 0.7 | V |
| | | V _{CC} = 3.0 V to 3.6 V | - | - | 0.9 | V |
| V _{OH} | HIGH-level output voltage | V _I = V _{IH} or V _{IL} | | | | |
| | | I _O = -20 µA; V _{CC} = 0.8 V to 3.6 V | V _{CC} - 0.11 | - | - | V |
| | | I _O = -1.1 mA; V _{CC} = 1.1 V | 0.6V _{CC} | - | - | V |
| | | I _O = -1.7 mA; V _{CC} = 1.4 V | 0.93 | - | - | V |
| | | I _O = -1.9 mA; V _{CC} = 1.65 V | 1.17 | - | - | V |
| | | I _O = -2.3 mA; V _{CC} = 2.3 V | 1.77 | - | - | V |
| | | I _O = -3.1 mA; V _{CC} = 2.3 V | 1.67 | - | - | V |
| | | I _O = -2.7 mA; V _{CC} = 3.0 V | 2.40 | - | - | V |
| V _{OL} | LOW-level output voltage | V _I = V _{IH} or V _{IL} | | | | |
| | | I _O = 20 µA; V _{CC} = 0.8 V to 3.6 V | - | - | 0.11 | V |
| | | I _O = 1.1 mA; V _{CC} = 1.1 V | - | - | 0.33V _{CC} | V |
| | | I _O = 1.7 mA; V _{CC} = 1.4 V | - | - | 0.41 | V |
| | | I _O = 1.9 mA; V _{CC} = 1.65 V | - | - | 0.39 | V |
| | | I _O = 2.3 mA; V _{CC} = 2.3 V | - | - | 0.36 | V |
| | | I _O = 3.1 mA; V _{CC} = 2.3 V | - | - | 0.50 | V |
| | | I _O = 2.7 mA; V _{CC} = 3.0 V | - | - | 0.36 | V |
| I _I | input leakage current | V _I = GND to 3.6 V; V _{CC} = 0 V to 3.6 V | - | - | ±0.75 | µA |
| | | V _I = V _{IH} or V _{IL} ; V _O = 0 V to 3.6 V; V _{CC} = 0 V to 3.6 V | - | - | ±0.75 | µA |
| I _{OFF} | power-off leakage current | V _I or V _O = 0 V to 3.6 V; V _{CC} = 0 V | - | - | ±0.75 | µA |
| ΔI _{OFF} | additional power-off leakage current | V _I or V _O = 0 V to 3.6 V; V _{CC} = 0 V to 0.2 V | - | - | ±0.75 | µA |
| I _{CC} | supply current | V _I = GND or V _{CC} ; I _O = 0 A; V _{CC} = 0.8 V to 3.6 V | - | - | 1.4 | µA |
| ΔI _{CC} | additional supply current | data input; V _I = V _{CC} - 0.6 V; I _O = 0 A; V _{CC} = 3.3 V | [1] | - | 75 | µA |
| | | n $\overline{\text{OE}}$ input; V _I = V _{CC} - 0.6 V; I _O = 0 A; V _{CC} = 3.3 V | [1] | - | 180 | µA |
| | | disabled inputs; V _I = GND to 3.6 V; n $\overline{\text{OE}}$ = V _{CC} ; V _{CC} = 0.8 V to 3.6 V | - | - | 1 | µA |

[1] One input at V_{CC} - 0.6 V, other input at V_{CC} or GND.

11. Dynamic characteristics

Table 8. Dynamic characteristics

Voltages are referenced to GND (ground = 0 V; for test circuit see Fig. 8).

| Symbol | Parameter | Conditions | 25 °C | | | -40 °C to +125 °C | | | Unit | | |
|------------------------------------|-------------------|---|-------------------|----------------------------------|------|-------------------|-------------|--------------|------|------|----|
| | | | Min | Typ [1] | Max | Min | Max (85 °C) | Max (125 °C) | | | |
| C_L = 5 pF | | | | | | | | | | | |
| t _{pd} | propagation delay | nA to nY; see Fig. 6 [2] | | | | | | | | | |
| | | V _{CC} = 0.8 V | - | 22.3 | - | - | - | - | ns | | |
| | | V _{CC} = 1.1 V to 1.3 V | 3.0 | 5.8 | 12.6 | 2.8 | 14.1 | 15.5 | ns | | |
| | | V _{CC} = 1.4 V to 1.6 V | 2.3 | 4.0 | 7.3 | 2.1 | 8.5 | 9.4 | ns | | |
| | | V _{CC} = 1.65 V to 1.95 V | 2.0 | 3.2 | 5.5 | 1.9 | 6.7 | 7.4 | ns | | |
| | | V _{CC} = 2.3 V to 2.7 V | 1.8 | 2.6 | 4.1 | 1.5 | 4.8 | 5.3 | ns | | |
| t _{en} | enable time | n $\overline{O}E$ to nY; see Fig. 7 [3] | | | | | | | | | |
| | | V _{CC} = 0.8 V | - | 70.2 | - | - | - | - | ns | | |
| | | V _{CC} = 1.1 V to 1.3 V | 3.1 | 6.4 | 14.3 | 2.8 | 15.9 | 17.5 | ns | | |
| | | V _{CC} = 1.4 V to 1.6 V | 2.5 | 4.4 | 8.1 | 2.2 | 9.5 | 10.5 | ns | | |
| | | V _{CC} = 1.65 V to 1.95 V | 2.1 | 3.6 | 6.2 | 1.9 | 7.4 | 8.2 | ns | | |
| | | V _{CC} = 2.3 V to 2.7 V | 1.8 | 2.8 | 4.6 | 1.7 | 5.4 | 6.0 | ns | | |
| t _{dis} | disable time | n $\overline{O}E$ to nY; see Fig. 7 [4] | | | | | | | | | |
| | | V _{CC} = 0.8 V | - | 14.8 | - | - | - | - | ns | | |
| | | V _{CC} = 1.1 V to 1.3 V | 2.0 | 4.3 | 7.4 | 2.3 | 8.3 | 9.2 | ns | | |
| | | V _{CC} = 1.4 V to 1.6 V | 1.6 | 3.2 | 5.2 | 1.7 | 5.9 | 6.5 | ns | | |
| | | V _{CC} = 1.65 V to 1.95 V | 1.5 | 3.0 | 4.8 | 1.5 | 5.5 | 6.1 | ns | | |
| | | V _{CC} = 2.3 V to 2.7 V | 1.1 | 2.2 | 3.5 | 1.4 | 4.0 | 4.5 | ns | | |
| t _{dis} | disable time | V _{CC} = 3.0 V to 3.6 V | 1.3 | 2.5 | 3.9 | 1.4 | 4.5 | 5.0 | ns | | |
| | | C_L = 10 pF | | | | | | | | | |
| | | t _{pd} | propagation delay | nA to nY; see Fig. 6 [2] | | | | | | | |
| | | | | V _{CC} = 0.8 V | - | 25.7 | - | - | - | - | ns |
| | | | | V _{CC} = 1.1 V to 1.3 V | 3.5 | 6.6 | 14.5 | 3.2 | 16.3 | 18.0 | ns |
| | | | | V _{CC} = 1.4 V to 1.6 V | 2.2 | 4.6 | 8.4 | 2.0 | 9.9 | 10.9 | ns |
| V _{CC} = 1.65 V to 1.95 V | 2.0 | | | 3.8 | 6.4 | 1.8 | 7.7 | 8.6 | ns | | |
| V _{CC} = 2.3 V to 2.7 V | 1.8 | | | 3.1 | 4.8 | 1.7 | 5.7 | 6.4 | ns | | |
| t _{en} | enable time | n $\overline{O}E$ to nY; see Fig. 7 [3] | | | | | | | | | |
| | | V _{CC} = 0.8 V | - | 74.0 | - | - | - | - | ns | | |
| | | V _{CC} = 1.1 V to 1.3 V | 3.6 | 7.4 | 16.3 | 3.2 | 18.2 | 20.1 | ns | | |
| | | V _{CC} = 1.4 V to 1.6 V | 2.3 | 5.1 | 9.2 | 2.1 | 10.9 | 12.0 | ns | | |
| | | V _{CC} = 1.65 V to 1.95 V | 2.0 | 4.1 | 7.1 | 1.8 | 8.5 | 9.4 | ns | | |
| | | V _{CC} = 2.3 V to 2.7 V | 1.8 | 3.4 | 5.4 | 1.7 | 6.4 | 7.1 | ns | | |
| t _{en} | enable time | V _{CC} = 3.0 V to 3.6 V | 1.8 | 3.1 | 4.8 | 1.7 | 5.7 | 6.3 | ns | | |

Low-power dual inverting buffer/line driver; 3-state

| Symbol | Parameter | Conditions | 25 °C | | | -40 °C to +125 °C | | | Unit |
|------------------------------|-------------------|---|-------|---------|------|-------------------|-------------|--------------|------|
| | | | Min | Typ [1] | Max | Min | Max (85 °C) | Max (125 °C) | |
| t _{dis} | disable time | n $\overline{O}E$ to nY; see Fig. 7 [4] | | | | | | | |
| | | V _{CC} = 0.8 V | - | 33.7 | - | - | - | - | ns |
| | | V _{CC} = 1.1 V to 1.3 V | 3.4 | 5.4 | 9.0 | 3.2 | 10.0 | 11.0 | ns |
| | | V _{CC} = 1.4 V to 1.6 V | 2.1 | 4.1 | 6.3 | 2.1 | 7.1 | 7.9 | ns |
| | | V _{CC} = 1.65 V to 1.95 V | 2.3 | 4.2 | 6.3 | 1.8 | 7.1 | 7.9 | ns |
| | | V _{CC} = 2.3 V to 2.7 V | 1.6 | 3.0 | 4.6 | 1.7 | 5.2 | 5.7 | ns |
| | | V _{CC} = 3.0 V to 3.6 V | 2.1 | 3.8 | 5.7 | 1.7 | 6.4 | 7.1 | ns |
| C_L = 15 pF | | | | | | | | | |
| t _{pd} | propagation delay | nA to nY; see Fig. 6 [2] | | | | | | | |
| | | V _{CC} = 0.8 V | - | 29.0 | - | - | - | - | ns |
| | | V _{CC} = 1.1 V to 1.3 V | 3.9 | 7.4 | 16.3 | 3.6 | 18.4 | 20.2 | ns |
| | | V _{CC} = 1.4 V to 1.6 V | 3.0 | 5.1 | 9.4 | 2.5 | 11.1 | 12.3 | ns |
| | | V _{CC} = 1.65 V to 1.95 V | 2.2 | 4.2 | 7.2 | 2.1 | 8.7 | 9.6 | ns |
| | | V _{CC} = 2.3 V to 2.7 V | 2.0 | 3.5 | 5.4 | 1.9 | 6.5 | 7.2 | ns |
| | | V _{CC} = 3.0 V to 3.6 V | 2.0 | 3.3 | 4.9 | 1.9 | 5.7 | 6.4 | ns |
| t _{en} | enable time | n $\overline{O}E$ to nY; see Fig. 7 [3] | | | | | | | |
| | | V _{CC} = 0.8 V | - | 77.8 | - | - | - | - | ns |
| | | V _{CC} = 1.1 V to 1.3 V | 4.0 | 8.2 | 18.2 | 3.6 | 20.4 | 22.5 | ns |
| | | V _{CC} = 1.4 V to 1.6 V | 3.0 | 5.6 | 10.3 | 2.5 | 12.2 | 13.4 | ns |
| | | V _{CC} = 1.65 V to 1.95 V | 2.3 | 4.6 | 7.9 | 2.1 | 9.5 | 10.5 | ns |
| | | V _{CC} = 2.3 V to 2.7 V | 2.1 | 3.9 | 6.0 | 2.0 | 7.2 | 7.9 | ns |
| | | V _{CC} = 3.0 V to 3.6 V | 2.1 | 3.6 | 5.5 | 1.9 | 6.4 | 7.1 | ns |
| t _{dis} | disable time | n $\overline{O}E$ to nY; see Fig. 7 [4] | | | | | | | |
| | | V _{CC} = 0.8 V | - | 62.5 | - | - | - | - | ns |
| | | V _{CC} = 1.1 V to 1.3 V | 4.3 | 6.6 | 10.4 | 3.6 | 11.6 | 12.8 | ns |
| | | V _{CC} = 1.4 V to 1.6 V | 3.0 | 5.0 | 7.4 | 2.5 | 8.4 | 9.3 | ns |
| | | V _{CC} = 1.65 V to 1.95 V | 3.0 | 5.3 | 7.8 | 2.1 | 8.7 | 9.7 | ns |
| | | V _{CC} = 2.3 V to 2.7 V | 2.1 | 3.8 | 5.7 | 2.0 | 6.4 | 7.1 | ns |
| | | V _{CC} = 3.0 V to 3.6 V | 2.9 | 5.0 | 7.4 | 1.9 | 8.3 | 9.1 | ns |
| C_L = 30 pF | | | | | | | | | |
| t _{pd} | propagation delay | nA to nY; see Fig. 6 [2] | | | | | | | |
| | | V _{CC} = 0.8 V | - | 39.1 | - | - | - | - | ns |
| | | V _{CC} = 1.1 V to 1.3 V | 5.0 | 9.7 | 21.6 | 4.6 | 24.3 | 26.8 | ns |
| | | V _{CC} = 1.4 V to 1.6 V | 4.0 | 6.7 | 12.3 | 3.0 | 14.6 | 16.1 | ns |
| | | V _{CC} = 1.65 V to 1.95 V | 2.9 | 5.5 | 9.5 | 2.7 | 11.5 | 12.6 | ns |
| | | V _{CC} = 2.3 V to 2.7 V | 2.7 | 4.6 | 7.1 | 2.5 | 8.6 | 9.5 | ns |
| | | V _{CC} = 3.0 V to 3.6 V | 2.6 | 4.3 | 6.4 | 2.5 | 7.7 | 8.5 | ns |

Low-power dual inverting buffer/line driver; 3-state

| Symbol | Parameter | Conditions | 25 °C | | | -40 °C to +125 °C | | | Unit |
|---|-------------------------------|--|-------|---------|------|-------------------|-------------|--------------|------|
| | | | Min | Typ [1] | Max | Min | Max (85 °C) | Max (125 °C) | |
| t _{en} | enable time | n $\overline{O}E$ to nY; see Fig. 7 [3] | | | | | | | |
| | | V _{CC} = 0.8 V | - | 89.4 | - | - | - | - | ns |
| | | V _{CC} = 1.1 V to 1.3 V | 5.2 | 10.6 | 23.8 | 4.6 | 26.7 | 29.5 | ns |
| | | V _{CC} = 1.4 V to 1.6 V | 4.0 | 7.3 | 13.2 | 3.0 | 15.7 | 17.4 | ns |
| | | V _{CC} = 1.65 V to 1.95 V | 3.0 | 6.0 | 10.2 | 2.7 | 12.3 | 13.6 | ns |
| | | V _{CC} = 2.3 V to 2.7 V | 2.8 | 5.0 | 7.8 | 2.6 | 9.3 | 10.3 | ns |
| | | V _{CC} = 3.0 V to 3.6 V | 2.8 | 4.8 | 7.1 | 2.6 | 8.4 | 9.3 | ns |
| t _{dis} | disable time | n $\overline{O}E$ to nY; see Fig. 7 [4] | | | | | | | |
| | | V _{CC} = 0.8 V | - | 68.9 | - | - | - | - | ns |
| | | V _{CC} = 1.1 V to 1.3 V | 6.0 | 9.3 | 15.0 | 4.6 | 16.5 | 18.2 | ns |
| | | V _{CC} = 1.4 V to 1.6 V | 4.4 | 7.7 | 11.0 | 3.0 | 12.2 | 13.4 | ns |
| | | V _{CC} = 1.65 V to 1.95 V | 5.1 | 8.8 | 12.4 | 2.7 | 13.7 | 15.1 | ns |
| | | V _{CC} = 2.3 V to 2.7 V | 3.6 | 6.2 | 9.0 | 2.6 | 10.0 | 11.0 | ns |
| | | V _{CC} = 3.0 V to 3.6 V | 5.2 | 8.8 | 12.7 | 2.6 | 14.0 | 15.4 | ns |
| C_L = 5 pF, 10 pF, 15 pF and 30 pF | | | | | | | | | |
| C _{PD} | power dissipation capacitance | f = 1 MHz; V _I = GND to V _{CC} [5] | | | | | | | |
| | | V _{CC} = 0.8 V | - | 2.7 | - | - | - | - | pF |
| | | V _{CC} = 1.1 V to 1.3 V | - | 2.9 | - | - | - | - | pF |
| | | V _{CC} = 1.4 V to 1.6 V | - | 3.0 | - | - | - | - | pF |
| | | V _{CC} = 1.65 V to 1.95 V | - | 3.2 | - | - | - | - | pF |
| | | V _{CC} = 2.3 V to 2.7 V | - | 3.7 | - | - | - | - | pF |
| | | V _{CC} = 3.0 V to 3.6 V | - | 4.2 | - | - | - | - | pF |

- [1] All typical values are measured at nominal V_{CC}.
- [2] t_{pd} is the same as t_{PLH} and t_{PHL}.
- [3] t_{en} is the same as t_{PZH} and t_{PZL}.
- [4] t_{dis} is the same as t_{PHZ} and t_{PLZ}.
- [5] C_{PD} is used to determine the dynamic power dissipation (P_D in μW).
 $P_D = C_{PD} \times V_{CC}^2 \times f_i \times N + \Sigma(C_L \times V_{CC}^2 \times f_o)$ where:
 f_i = input frequency in MHz;
 f_o = output frequency in MHz;
 C_L = output load capacitance in pF;
 V_{CC} = supply voltage in V;
 N = number of inputs switching;
 $\Sigma(C_L \times V_{CC}^2 \times f_o)$ = sum of the outputs.

11.1. Waveforms and test circuit

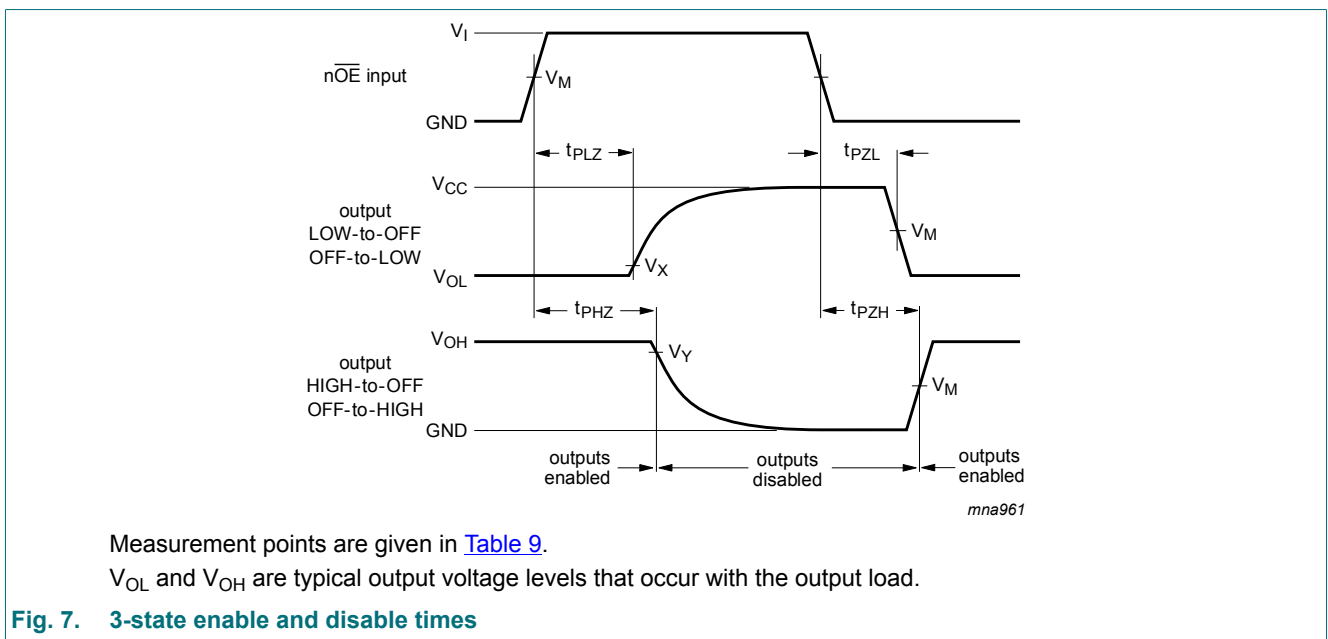
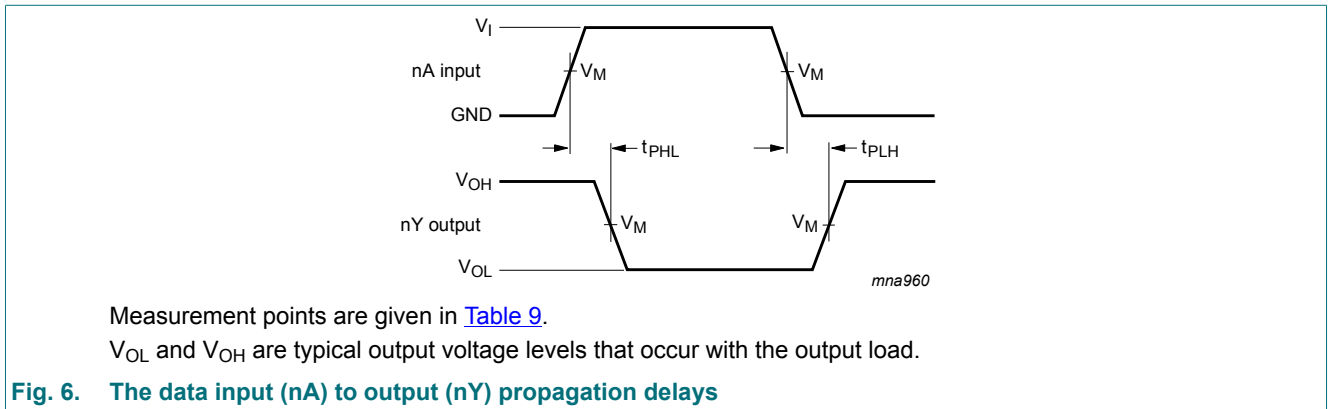


Table 9. Measurement points

| Supply voltage | Input | | | Output | | |
|-----------------|---------------------|----------|---------------|---------------------|-------------------|-------------------|
| V_{CC} | V_M | V_I | $t_r = t_f$ | V_M | V_X | V_Y |
| 0.8 V to 1.6 V | $0.5 \times V_{CC}$ | V_{CC} | ≤ 3.0 ns | $0.5 \times V_{CC}$ | $V_{OL} + 0.1$ V | $V_{OH} - 0.1$ V |
| 1.65 V to 2.7 V | $0.5 \times V_{CC}$ | V_{CC} | ≤ 3.0 ns | $0.5 \times V_{CC}$ | $V_{OL} + 0.15$ V | $V_{OH} - 0.15$ V |
| 3.0 V to 3.6 V | $0.5 \times V_{CC}$ | V_{CC} | ≤ 3.0 ns | $0.5 \times V_{CC}$ | $V_{OL} + 0.3$ V | $V_{OH} - 0.3$ V |

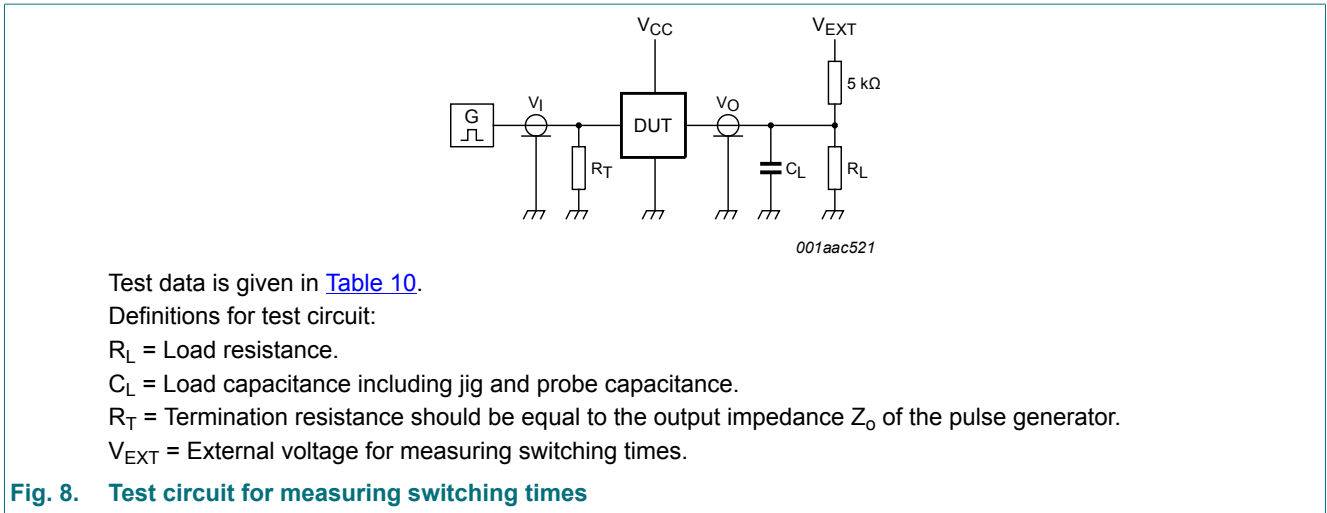


Fig. 8. Test circuit for measuring switching times

Table 10. Test data

| Supply voltage | Load | | V_{EXT} | | |
|----------------|------------------------------|--------------|-----------------------|-----------------------|-----------------------|
| V_{CC} | C_L | R_L [1] | t_{PLH} , t_{PHL} | t_{PZH} , t_{PHZ} | t_{PZL} , t_{PLZ} |
| 0.8 V to 3.6 V | 5 pF, 10 pF, 15 pF and 30 pF | 5 kΩ or 1 MΩ | open | GND | $2 \times V_{CC}$ |

[1] For measuring enable and disable times $R_L = 5 \text{ k}\Omega$.
 For measuring propagation delays, setup and hold times and pulse width $R_L = 1 \text{ M}\Omega$.

12. Package outline

VSSOP8: plastic very thin shrink small outline package; 8 leads; body width 2.3 mm

SOT765-1

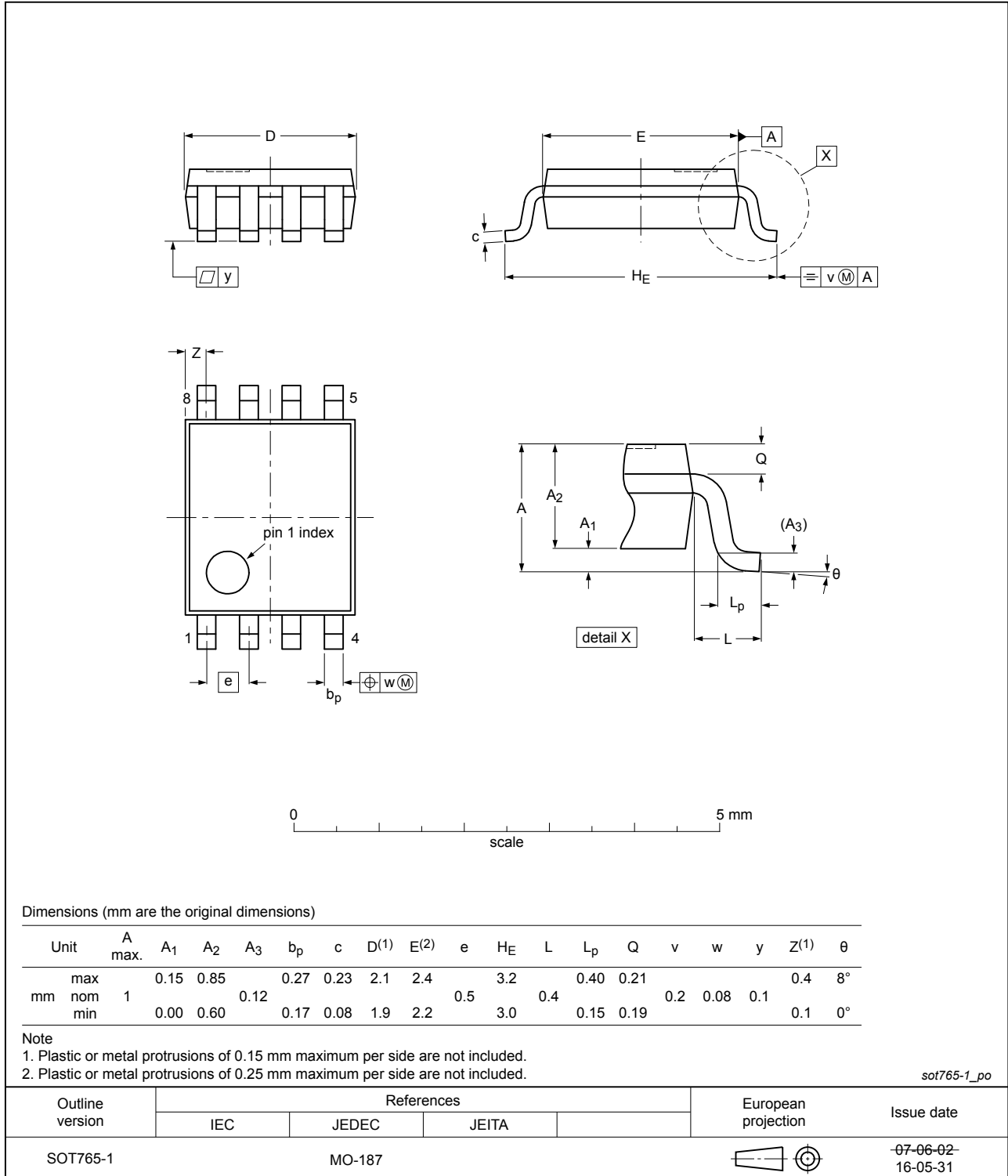


Fig. 9. Package outline SOT765-1 (VSSOP8)

XSON8: plastic extremely thin small outline package; no leads; 8 terminals; body 1 x 1.95 x 0.5 mm

SOT833-1

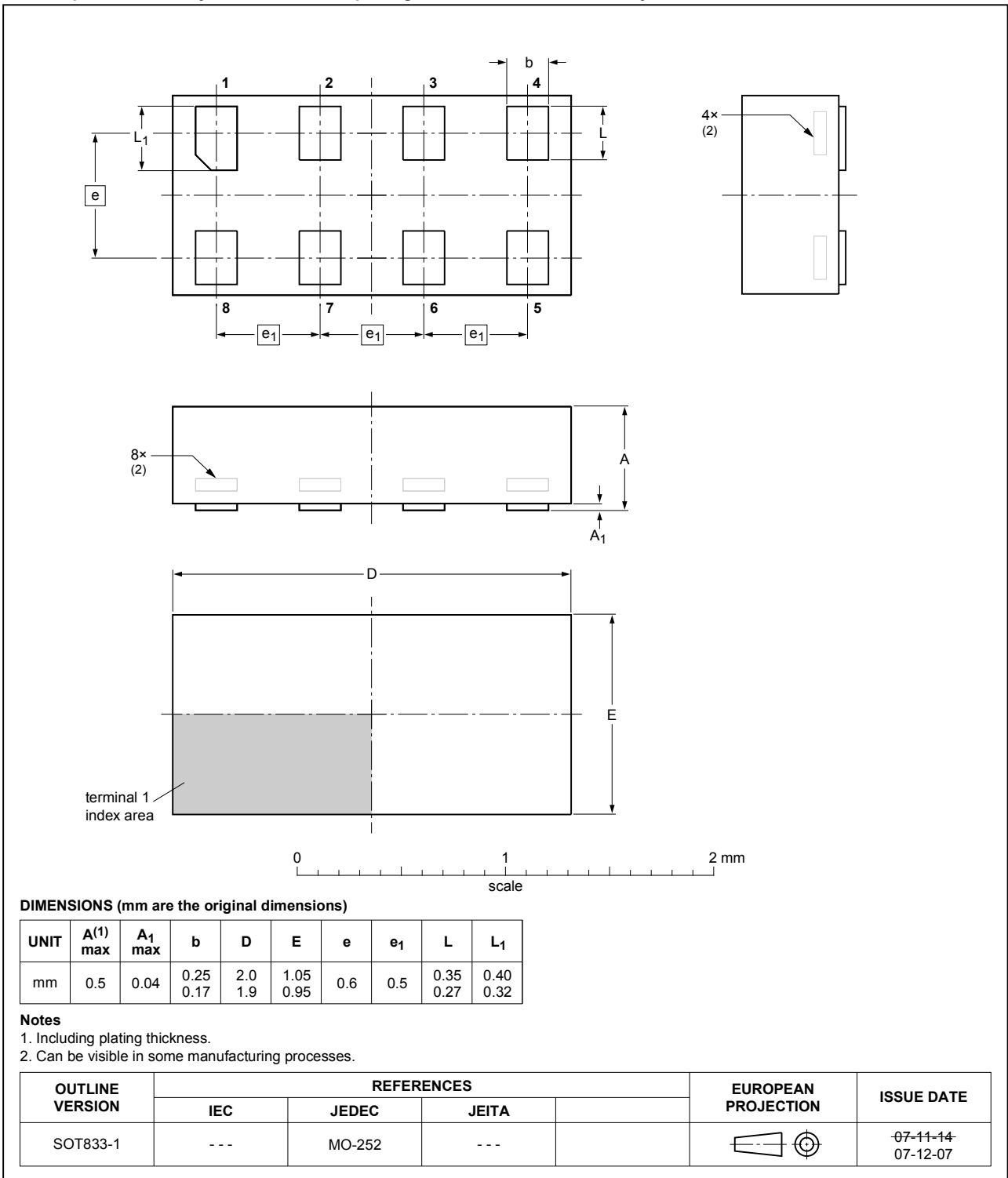


Fig. 10. Package outline SOT833-1 (XSON8)

XSON8: extremely thin small outline package; no leads;
8 terminals; body 1.35 x 1 x 0.5 mm

SOT1089



Fig. 11. Package outline SOT1089 (XSON8)

XQFN8: plastic, extremely thin quad flat package; no leads;
8 terminals; body 1.6 x 1.6 x 0.5 mm

SOT902-2



Fig. 12. Package outline SOT902-2 (XQFN8)

XSON8: extremely thin small outline package; no leads;
8 terminals; body 1.2 x 1.0 x 0.35 mm

SOT1116



Fig. 13. Package outline SOT1116 (XSON8)

XSON8: extremely thin small outline package; no leads;
8 terminals; body 1.35 x 1.0 x 0.35 mm

SOT1203

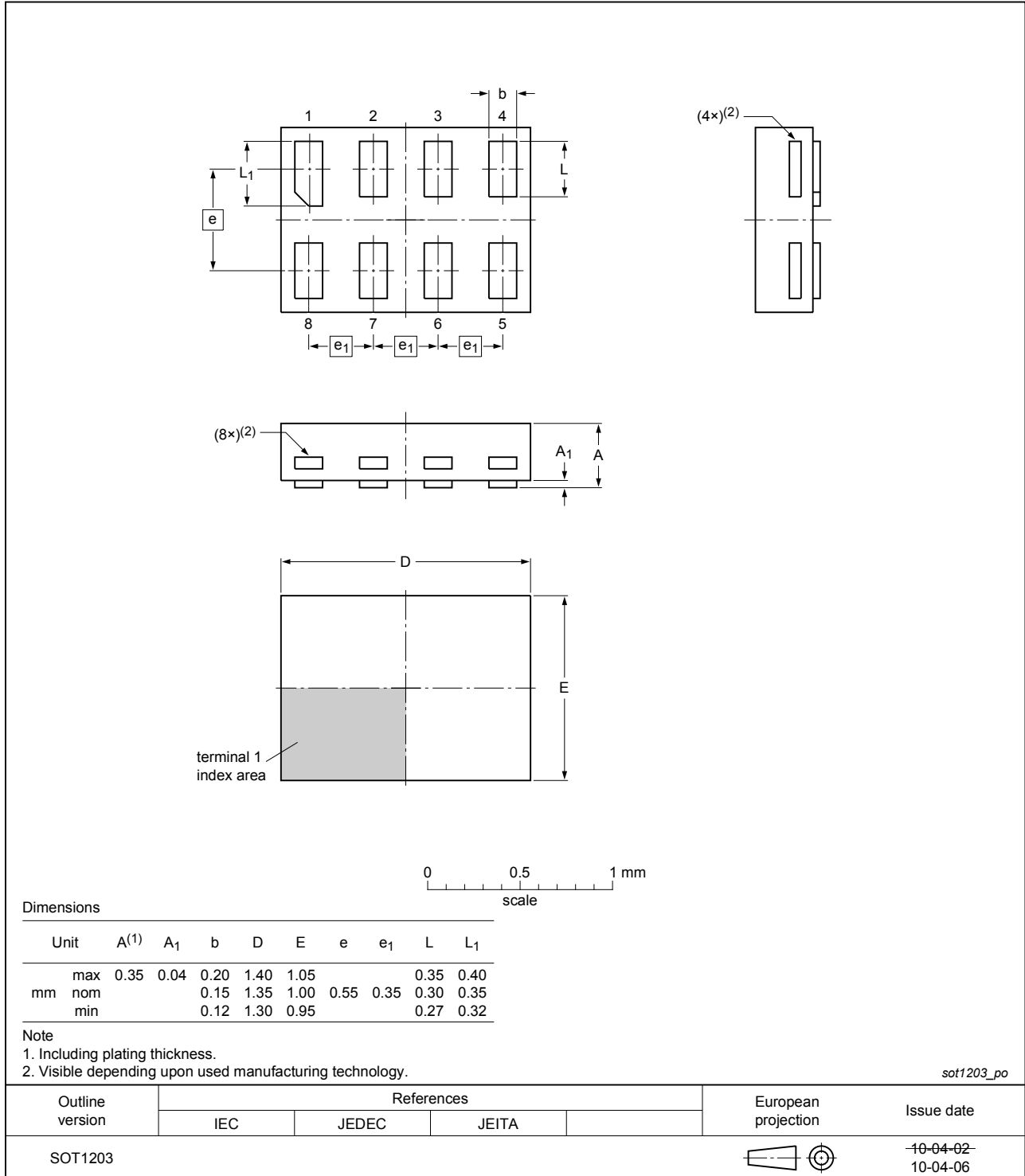


Fig. 14. Package outline SOT1203 (XSON8)

13. Abbreviations

Table 11. Abbreviations

| Acronym | Description |
|---------|-------------------------|
| CDM | Charged Device Model |
| DUT | Device Under Test |
| ESD | ElectroStatic Discharge |
| HBM | Human Body Model |
| MM | Machine Model |

14. Revision history

Table 12. Revision history

| Document ID | Release date | Data sheet status | Change notice | Supersedes |
|----------------|--|--------------------|---------------|----------------|
| 74AUP2G240 v.9 | 20190319 | Product data sheet | - | 74AUP2G240 v.8 |
| Modifications: | <ul style="list-style-type: none"> The format of this data sheet has been redesigned to comply with the identity guidelines of Nexperia. Legal texts have been adapted to the new company name where appropriate. Type number 74AUP2G240GD (SOT996-2) removed. Package outline drawing SOT765-1 (VSSOP8) updated. Package outline drawing SOT902-2 (XQFN8) updated. | | | |
| 74AUP2G240 v.8 | 20130124 | Product data sheet | - | 74AUP2G240 v.7 |
| Modifications: | <ul style="list-style-type: none"> For type number 74AUP2G240GD XSON8U has changed to XSON8. | | | |
| 74AUP2G240 v.7 | 20120606 | Product data sheet | - | 74AUP2G240 v.6 |
| 74AUP2G240 v.6 | 20111205 | Product data sheet | - | 74AUP2G240 v.5 |
| 74AUP2G240 v.5 | 20100913 | Product data sheet | - | 74AUP2G240 v.4 |
| 74AUP2G240 v.4 | 20090630 | Product data sheet | - | 74AUP2G240 v.3 |
| 74AUP2G240 v.3 | 20090407 | Product data sheet | - | 74AUP2G240 v.2 |
| 74AUP2G240 v.2 | 20080222 | Product data sheet | - | 74AUP2G240 v.1 |
| 74AUP2G240 v.1 | 20061006 | Product data sheet | - | - |

15. Legal information

Data sheet status

| Document status [1][2] | Product status [3] | Definition |
|--------------------------------|--------------------|---|
| Objective [short] data sheet | Development | This document contains data from the objective specification for product development. |
| Preliminary [short] data sheet | Qualification | This document contains data from the preliminary specification. |
| Product [short] data sheet | Production | This document contains the product specification. |

- [1] Please consult the most recently issued document before initiating or completing a design.
- [2] The term 'short data sheet' is explained in section "Definitions".
- [3] The product status of device(s) described in this document may have changed since this document was published and may differ in case of multiple devices. The latest product status information is available on the internet at <https://www.nexperia.com>.

Definitions

Draft — The document is a draft version only. The content is still under internal review and subject to formal approval, which may result in modifications or additions. Nexperia does not give any representations or warranties as to the accuracy or completeness of information included herein and shall have no liability for the consequences of use of such information.

Short data sheet — A short data sheet is an extract from a full data sheet with the same product type number(s) and title. A short data sheet is intended for quick reference only and should not be relied upon to contain detailed and full information. For detailed and full information see the relevant full data sheet, which is available on request via the local Nexperia sales office. In case of any inconsistency or conflict with the short data sheet, the full data sheet shall prevail.

Product specification — The information and data provided in a Product data sheet shall define the specification of the product as agreed between Nexperia and its customer, unless Nexperia and customer have explicitly agreed otherwise in writing. In no event however, shall an agreement be valid in which the Nexperia product is deemed to offer functions and qualities beyond those described in the Product data sheet.

Disclaimers

Limited warranty and liability — Information in this document is believed to be accurate and reliable. However, Nexperia does not give any representations or warranties, expressed or implied, as to the accuracy or completeness of such information and shall have no liability for the consequences of use of such information. Nexperia takes no responsibility for the content in this document if provided by an information source outside of Nexperia.

In no event shall Nexperia be liable for any indirect, incidental, punitive, special or consequential damages (including - without limitation - lost profits, lost savings, business interruption, costs related to the removal or replacement of any products or rework charges) whether or not such damages are based on tort (including negligence), warranty, breach of contract or any other legal theory.

Notwithstanding any damages that customer might incur for any reason whatsoever, Nexperia's aggregate and cumulative liability towards customer for the products described herein shall be limited in accordance with the Terms and conditions of commercial sale of Nexperia.

Right to make changes — Nexperia reserves the right to make changes to information published in this document, including without limitation specifications and product descriptions, at any time and without notice. This document supersedes and replaces all information supplied prior to the publication hereof.

Suitability for use — Nexperia products are not designed, authorized or warranted to be suitable for use in life support, life-critical or safety-critical systems or equipment, nor in applications where failure or malfunction of an Nexperia product can reasonably be expected to result in personal

injury, death or severe property or environmental damage. Nexperia and its suppliers accept no liability for inclusion and/or use of Nexperia products in such equipment or applications and therefore such inclusion and/or use is at the customer's own risk.

Quick reference data — The Quick reference data is an extract of the product data given in the Limiting values and Characteristics sections of this document, and as such is not complete, exhaustive or legally binding.

Applications — Applications that are described herein for any of these products are for illustrative purposes only. Nexperia makes no representation or warranty that such applications will be suitable for the specified use without further testing or modification.

Customers are responsible for the design and operation of their applications and products using Nexperia products, and Nexperia accepts no liability for any assistance with applications or customer product design. It is customer's sole responsibility to determine whether the Nexperia product is suitable and fit for the customer's applications and products planned, as well as for the planned application and use of customer's third party customer(s). Customers should provide appropriate design and operating safeguards to minimize the risks associated with their applications and products.

Nexperia does not accept any liability related to any default, damage, costs or problem which is based on any weakness or default in the customer's applications or products, or the application or use by customer's third party customer(s). Customer is responsible for doing all necessary testing for the customer's applications and products using Nexperia products in order to avoid a default of the applications and the products or of the application or use by customer's third party customer(s). Nexperia does not accept any liability in this respect.

Limiting values — Stress above one or more limiting values (as defined in the Absolute Maximum Ratings System of IEC 60134) will cause permanent damage to the device. Limiting values are stress ratings only and (proper) operation of the device at these or any other conditions above those given in the Recommended operating conditions section (if present) or the Characteristics sections of this document is not warranted. Constant or repeated exposure to limiting values will permanently and irreversibly affect the quality and reliability of the device.

Terms and conditions of commercial sale — Nexperia products are sold subject to the general terms and conditions of commercial sale, as published at <http://www.nexperia.com/profile/terms>, unless otherwise agreed in a valid written individual agreement. In case an individual agreement is concluded only the terms and conditions of the respective agreement shall apply. Nexperia hereby expressly objects to applying the customer's general terms and conditions with regard to the purchase of Nexperia products by customer.

No offer to sell or license — Nothing in this document may be interpreted or construed as an offer to sell products that is open for acceptance or the grant, conveyance or implication of any license under any copyrights, patents or other industrial or intellectual property rights.

Export control — This document as well as the item(s) described herein may be subject to export control regulations. Export might require a prior authorization from competent authorities.

Non-automotive qualified products — Unless this data sheet expressly states that this specific Nexperia product is automotive qualified, the product is not suitable for automotive use. It is neither qualified nor tested in accordance with automotive testing or application requirements. Nexperia accepts no liability for inclusion and/or use of non-automotive qualified products in automotive equipment or applications.

In the event that customer uses the product for design-in and use in automotive applications to automotive specifications and standards, customer (a) shall use the product without Nexperia's warranty of the product for such automotive applications, use and specifications, and (b) whenever customer uses the product for automotive applications beyond Nexperia's specifications such use shall be solely at customer's own risk, and (c) customer fully indemnifies Nexperia for any liability, damages or failed product claims resulting from customer design and use of the product for automotive applications beyond Nexperia's standard warranty and Nexperia's product specifications.

Translations — A non-English (translated) version of a document is for reference only. The English version shall prevail in case of any discrepancy between the translated and English versions.

Trademarks

Notice: All referenced brands, product names, service names and trademarks are the property of their respective owners.

Contents

| | |
|--|-----------|
| 1. General description | 1 |
| 2. Features and benefits | 1 |
| 3. Ordering information | 2 |
| 4. Marking | 2 |
| 5. Functional diagram | 2 |
| 6. Pinning information | 3 |
| 6.1. Pinning..... | 3 |
| 6.2. Pin description..... | 3 |
| 7. Functional description | 4 |
| 8. Limiting values | 4 |
| 9. Recommended operating conditions | 4 |
| 10. Static characteristics | 5 |
| 11. Dynamic characteristics | 8 |
| 11.1. Waveforms and test circuit..... | 11 |
| 12. Package outline | 13 |
| 13. Abbreviations | 19 |
| 14. Revision history | 19 |
| 15. Legal information | 20 |

© Nexperia B.V. 2019. All rights reserved

For more information, please visit: <http://www.nexperia.com>

For sales office addresses, please send an email to: salesaddresses@nexperia.com

Date of release: 19 March 2019