

4

3

2

1

THIS DRAWING IS UNPUBLISHED.

RELEASED FOR PUBLICATION

NOV ,2005.

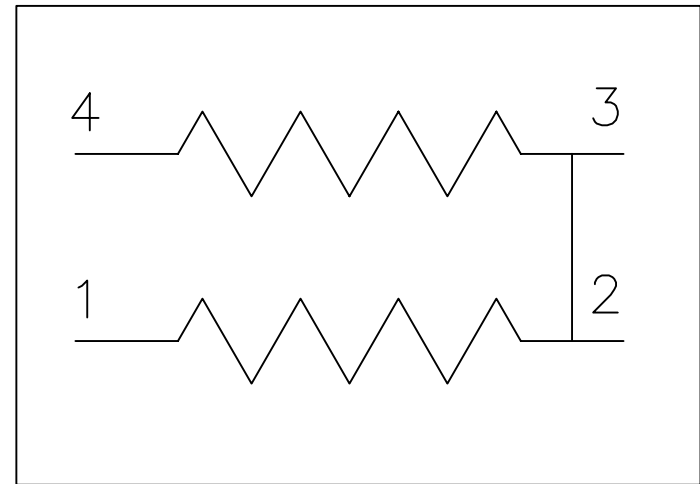
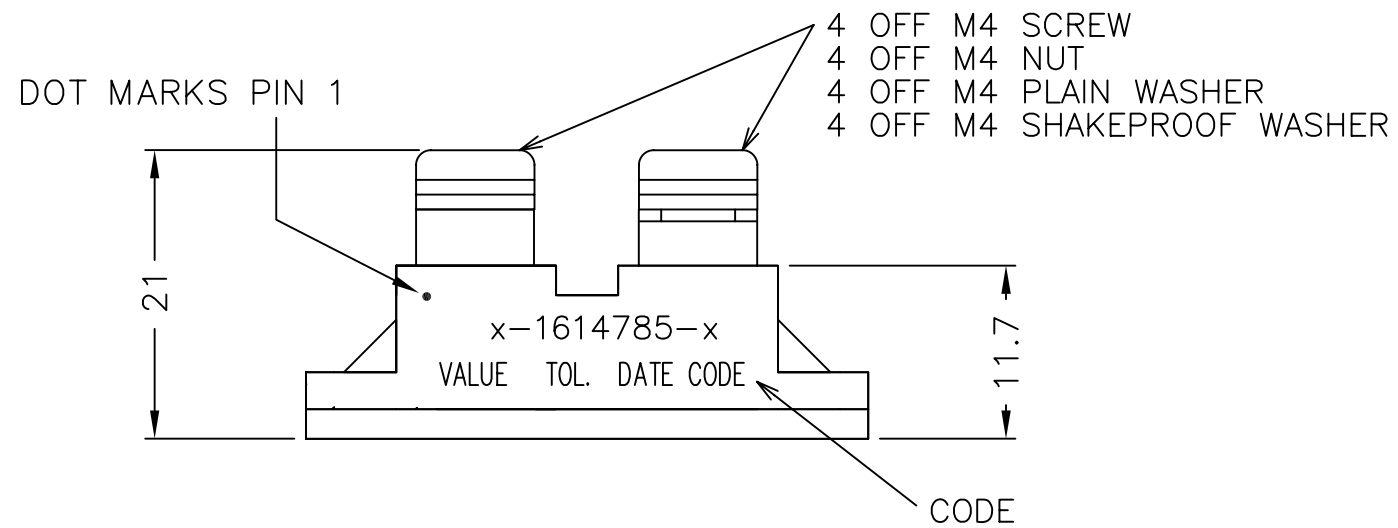
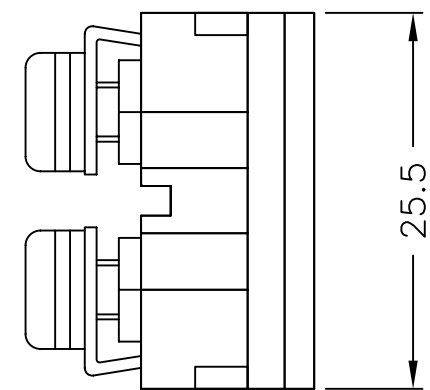
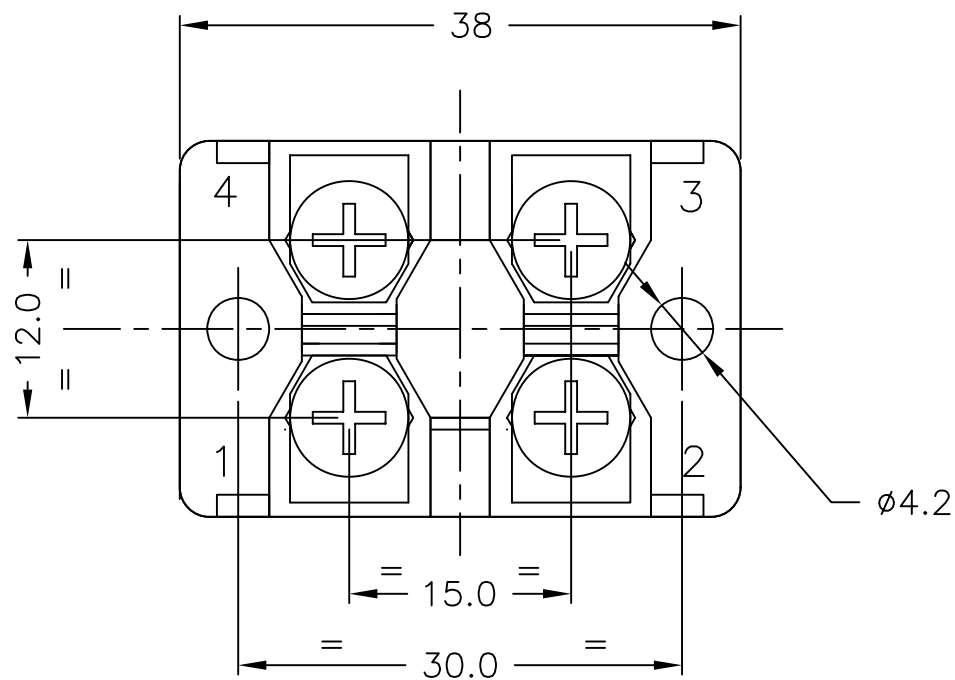
© COPYRIGHT 2005 BY TYCO ELECTRONICS CORPORATION. ALL RIGHTS RESERVED.

LOC

DIST

REVISIONS

P	LTR	DESCRIPTION	DATE	DWN	APVD
C		ECR-07-009611	20APR07	RB	JC



RoHS Compliant

THIS DRAWING IS A CONTROLLED DOCUMENT.

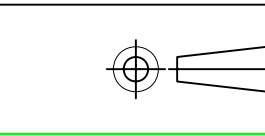
DWN	DAVE KENNEDY	04NOV05
CHK	J CATCHPOLE	04NOV05
APVD	J CATCHPOLE	04NOV05

tyco
Electronics

Tyco Electronics Corporation
Dorcan, Swindon, SN3 5HH

DIMENSIONS: MM

TOLERANCES UNLESS OTHERWISE SPECIFIED:



0 PLC	± -
1 PLC	± -
2 PLC	± -
3 PLC	± -
4 PLC	± -
ANGLES	± -
FINISH	-

MATERIAL

PRODUCT SPEC	-
APPLICATION SPEC	-
WEIGHT	-

NAME: 100W POWER RESISTOR BDS-4-E-100

SIZE	CAGE CODE	DRAWING NO	RESTRICTED TO
A3	00779	C-1614785	-

FOR A SPECIFIC PN FOR A RESISTANCE VALUE AND TOLERANCE, PLEASE REFER TO DMF.

CUSTOMER DRAWING	SCALE	SHEET	OF	REV
	NTS	1	1	C

Mouser Electronics

Authorized Distributor

Click to View Pricing, Inventory, Delivery & Lifecycle Information:

[TE Connectivity:](#)

[BDS4E100150R0J](#)