

6 5 4 3 2 1

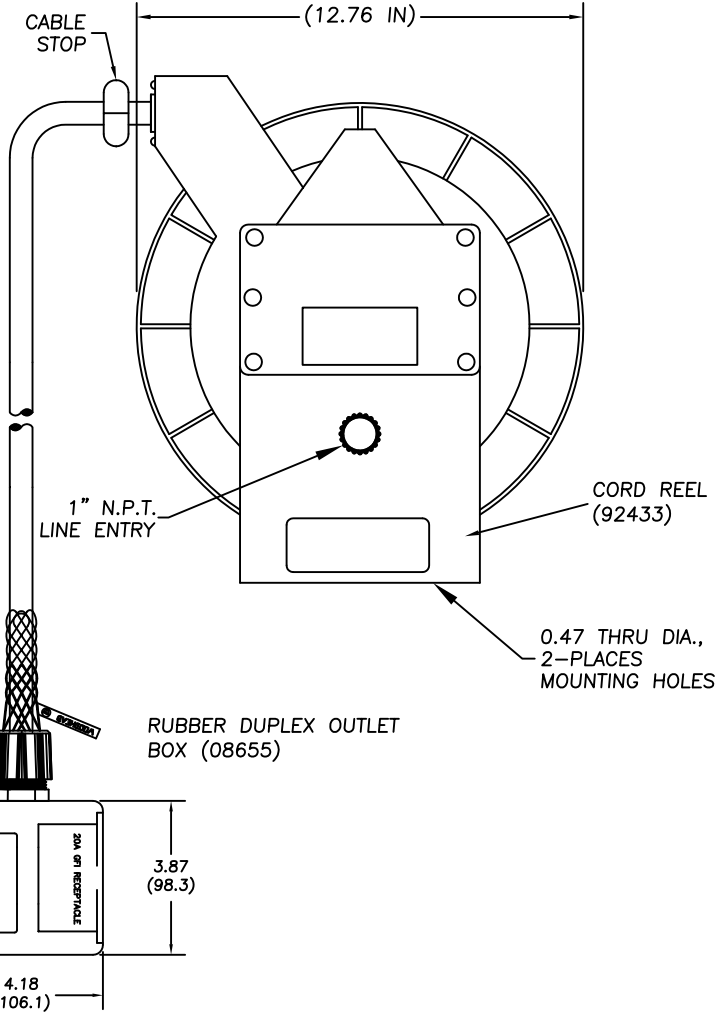
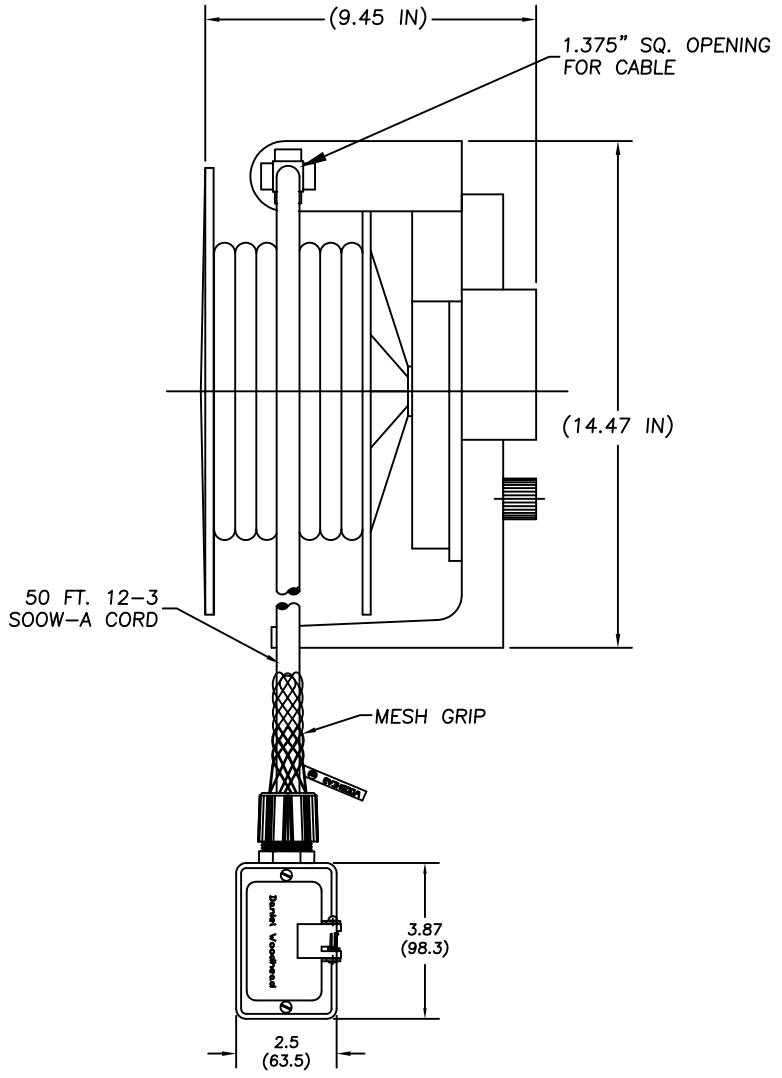
E

D

C

B

A



E

D

C

B

A

RELEASE DRAWING EC NO: WNA2010-0354 DRWN: TVICKERS 2009/12/28 CHKD: HK APPR: DTTITUS 2010/04/28	DESCRIPTION REV	QUALITY SYMBOLS ▽=0 ▽C=0	GENERAL TOLERANCES (UNLESS SPECIFIED)		DIMENSION STYLE INCH(MM)		SCALE NTS	DESIGN UNITS INCH	THIRD ANGLE PROJECTION	
		4 PLACES ±--- ±---	mm INCH	DRAWN BY DATE	TITLE					
		3 PLACES ±.005 ±.005		CHECKED BY DATE	92433 CABLE REEL W/3080-GFI20 BOX & MESH GRIP					
		2 PLACES ±0.13 ±0.010		APPROVED BY DATE	MOLEX INCORPORATED					
		1 PLACE ±0.25 ±0.020		MATERIAL NO.	DOCUMENT NO.	SHEET NO.				
A		ANGULAR ±.5°		DRAFT WHERE APPLICABLE MUST REMAIN WITHIN DIMENSIONS		1300830888		SD-130083-017		1 OF 1
THIS DRAWING CONTAINS INFORMATION THAT IS PROPRIETARY TO MOLEX INCORPORATED AND SHOULD NOT BE USED WITHOUT WRITTEN PERMISSION										

6 5 4 3 2 1