

F

E

D

C

B

A

F

E

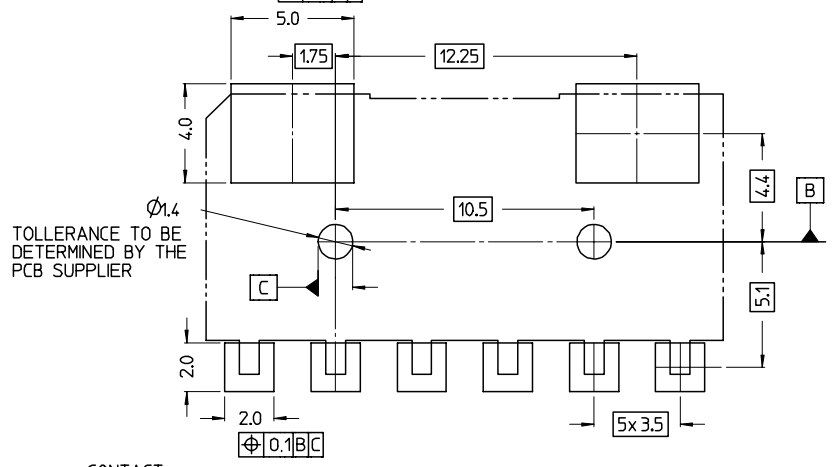
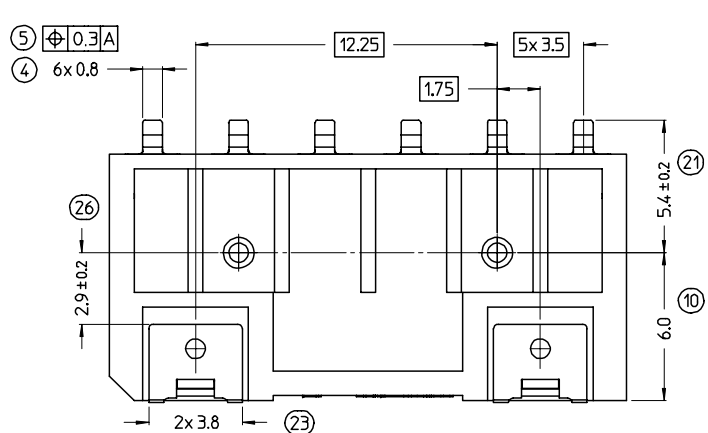
D

C

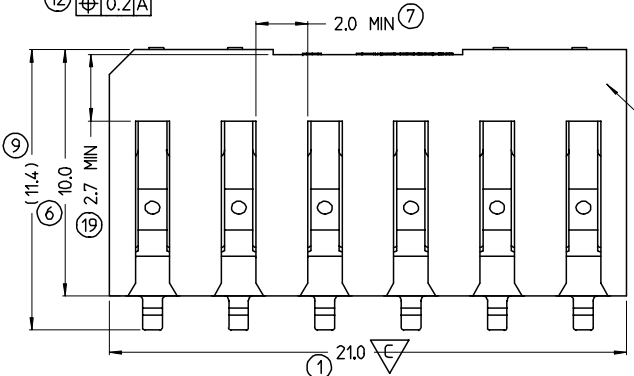
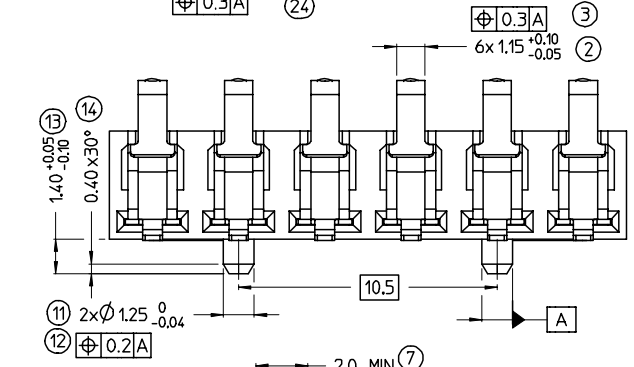
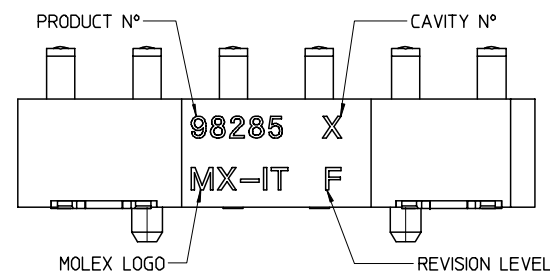
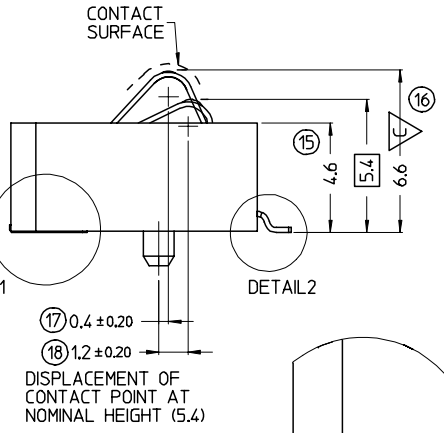
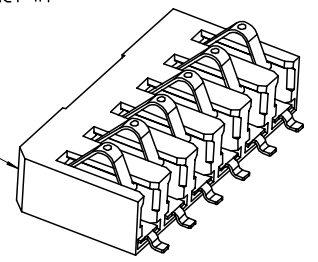
B

A

PCB LAYOUT (COMPONENT SIDE)



THE CHAMFER SHOWS CONTACT #1



MATERIALS: HOUSING: PA6T 30% G.F. V-0 BLACK
 CONTACT: PHOSPHOROUS BRONZE (Ph-Bz) 0.20 mm THICK
 LATCH: BRASS 0.30 mm THICK TIN PRE-PLATED 2-3 μm
 PLATING: CONTACT AREA: Pd-Ni 1 μm MIN, FLASH Au 0.1 μm OVER Ni 1.27 μm MIN
 SOLDER AREA: Sn 3-5 μm OVER Ni 1.27 μm MIN
 PACKAGING: SEE DWG. PK-98285-001
 COPLANARITY OF SOLDER TAILS: 0.1 mm MAX 8
 PRODUCT SPECIFICATION ACCORDING TO PS-98285-001

Std. Descr.: "BATTERY CONN PITCH 3.5 mm 6 CKT (OR 4 CKT)"

EC NO: Z2006-0088 DRWN:RDGOSTI 2005/11/23 CHKD:RSANDANQ2005/11/23 APPR:GZUIN 2005/11/23	QUALITY SYMBOLS	GENERAL TOLERANCES (UNLESS SPECIFIED)	SCALE 5:1	DESIGN UNITS METRIC	FIRST ANGLE PROJECTION	REVISE ON CAD ONLY
	DESCRIPTION	4 PLACES ± --- ± --- 3 PLACES ± --- ± --- 2 PLACES ± 0.05 ± --- 1 PLACE ± 0.15 ± --- ANGULAR ± ---°	MM INCH	DIMENSION STYLE MM ONLY	TITLE	
REV		DRAFT WHERE APPLICABLE	DRAWN BY	DATE	6 OR 4 CKT LOADED BATTERY CONNECTOR PITCH 3.5 MM	
		MUST REMAIN WITHIN DIMENSIONS	CHECKED BY	DATE	MOLEX INCORPORATED	
			APPROVED BY	DATE	MATERIAL NO.	DOCUMENT NO.
					SEE TABLE	SD-98285-001
						SHEET NO. 1 OF 1

MTL.NO.	CONTACT					
	1	2	3	4	5	6
98285-1000	X	X	X	X	X	X
98285-2000	X	X	X	X	X	

