

## Instant-DevKit Arria 10 SoC SoM IDK

**Target markets:**

Automotive

Video Broadcast

Machine and Intelligent Vision

Industrial

Military

Test & Measurement

Medical

Achilles Instant-Development Kit provides to developers the best Out-Of-The box experience, combining the Best-In Class compact hardware platform and the most efficient intuitive software environment.

## DevKitInvasion



### ATTILA

Arria 10 FPGA FMC IDK



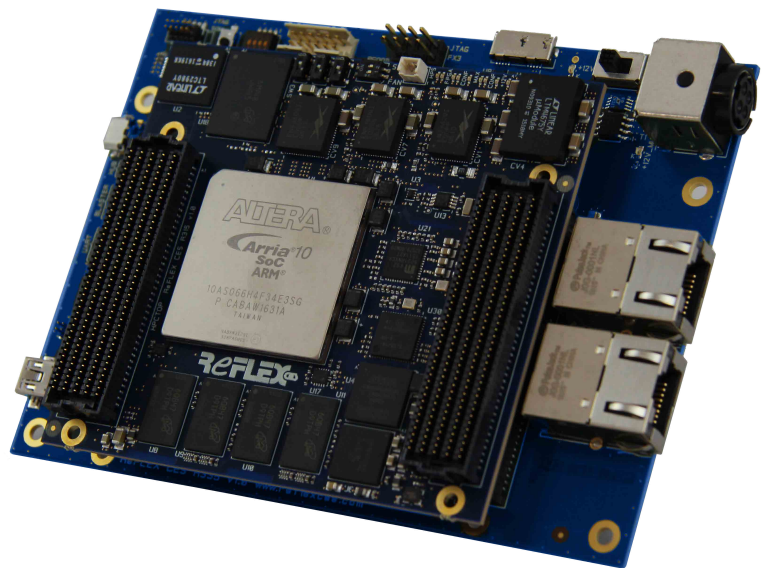
### ALARIC

Arria 10 SoC FMC IDK



### ACHILLES

Arria 10 SoC SoM IDK



Contact us :

ReFLEX CES Europe  
Phone : +33(0) 169 870 255  
email : sales@reflexces.com

www.reflexces.com

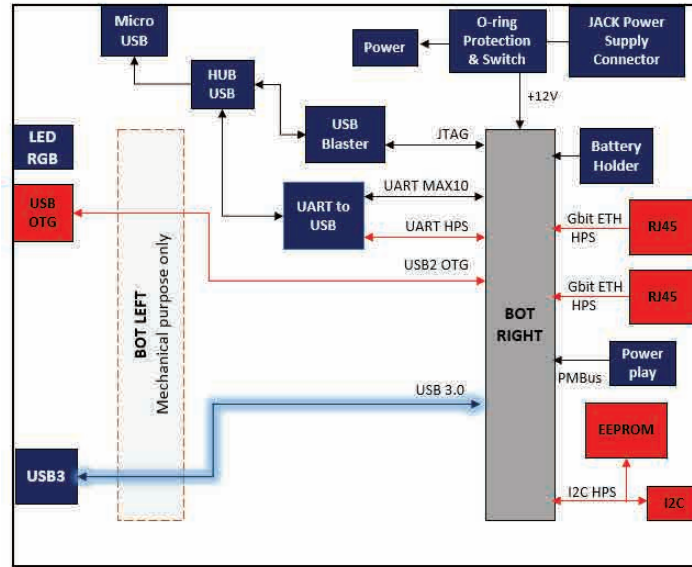


© ReFLEX CES 2016-All Rights Reserved - Oct./Rev2.4

ReFLEX CES North America / AsiaPac / Japan  
Phone : +1 (408) 887 5981  
email : salesusa@reflexces.com



**Starter board**



**Configuration & Monitoring**

- Onboard USB Blaster JTAG configuration circuitry to enable FPGA configuration over USB connector.
- One  $\mu$ USB connector allows interfacing UART bus and communicate with the MAX 10 and the HPS FPGA.
- One connector for connecting a Linear Powerplay DC1613A USB cable
- PMBus interface : Digital Power System management is ready, configure and interrogate the PSM Devices with LTpowerPlay

**Communication Interfaces**

- 2x Ethernet 10/100/1000 Base-T (HPS)
  - 1x I<sup>2</sup>C (HPS)
  - 1x USB3.0 Micro B (FPGA)
  - 1x USB OTG Mini AB (HPS)
- Board size = 100mm (3.94 inches) x 140 mm (5.51 inches) / Fan on top for SoM A10  
Power = Evaluation mode on desk with AC power supply

**Standards and compliance**

- RoHS/REACH compliant
- ISO9001 Facility
- UL certified
- Operating Range : 0°C to 70°C

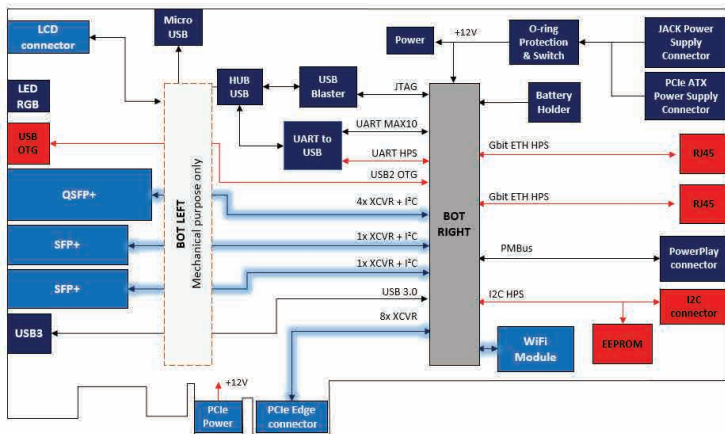
**Kit Ordering information**

Version	Part number	Kit content
<ul style="list-style-type: none"> <li>Development Kit (Starter board + Module)</li> </ul>	RXCA10S066PF34-IDK0SA	<ul style="list-style-type: none"> <li>Power cable (US, UK, EU, JP), cables (USB, Ethernet)</li> <li>Starter board A10 SoC SoM</li> <li>Arria 10 SoC SoM "Ultra" version</li> <li>Starter Guide, Reference Manual</li> <li>ReFLEX CES innovative software interface (GUI)</li> <li>Test Designs (Quartus II Projects), Mechanical drawings</li> <li>Schematics (pdf), assembly files (pdf), Base board guidelines</li> </ul>

**Optional feature**

In addition to the Instant-DevKit, you can order the PCIe Carrier Board

**PCIe Carrier Board**



**Board size**

- Standard height ( 111.15 mm / 4.376 inches) x Half length ( 167.65 mm / 6.600 inches) / Fan on top for SoMA10

**PCIe Carrier Board Ordering information**

Part number = RXCA10S0000F34-FHPOSA

**Contact us :**

**Configuration & Monitoring**

- Onboard USB Blaster JTAG configuration circuitry to enable FPGA configuration over USB connector.
- One  $\mu$ USB connector allows interfacing UART bus and communicate with the MAX 10 and the HPS FPGA.
- One connector for connecting a Linear Powerplay DC1613A USB cable
- PMBus interface : Digital Power System management is ready, configure and interrogate the PSM Devices with LTpowerPlay

**Communication Interfaces**

- PCI Express x8 Gen 1/ 2/ 3 on PCI Express edge connector
- 1x QSFP+ quad optical cage (4 XCVR:10.3125 Gb/s per link)
- 2x SFP+ single optical cage (2 XCVR : 10.3125 Gb/s per link)
- 2x Ethernet 10/100/1000 Base-T (HPS)
- 1x USB3.0 Micro B (FPGA)
- 1x USB OTG Mini AB (HPS)
- Atmel Wifi 802.11 b/g/n IoT (Internet of Things) module which is specifically optimized for low power IoT applications. Module provides SPI and SDIO to interface to host controller.
- One 1x10pts connector for connecting an LCD

**Power**

- Evaluation mode on desk with AC power supply or can be inserted into a PCIe slot and used as a PCIe card

**Standards and compliance**

- RoHS/REACH compliant
- ISO9001 Facility
- UL certified
- Operating Range : 0°C to 70°C

