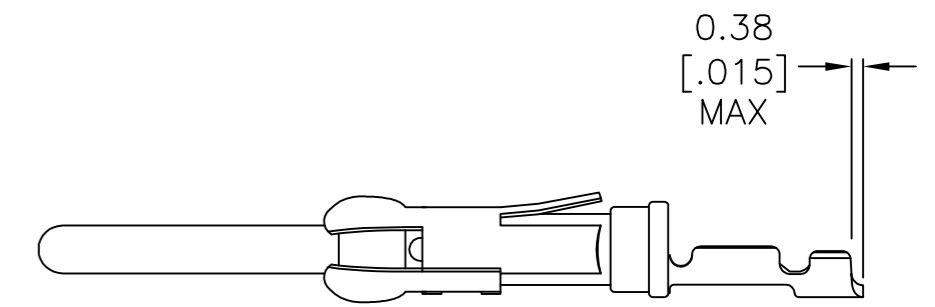
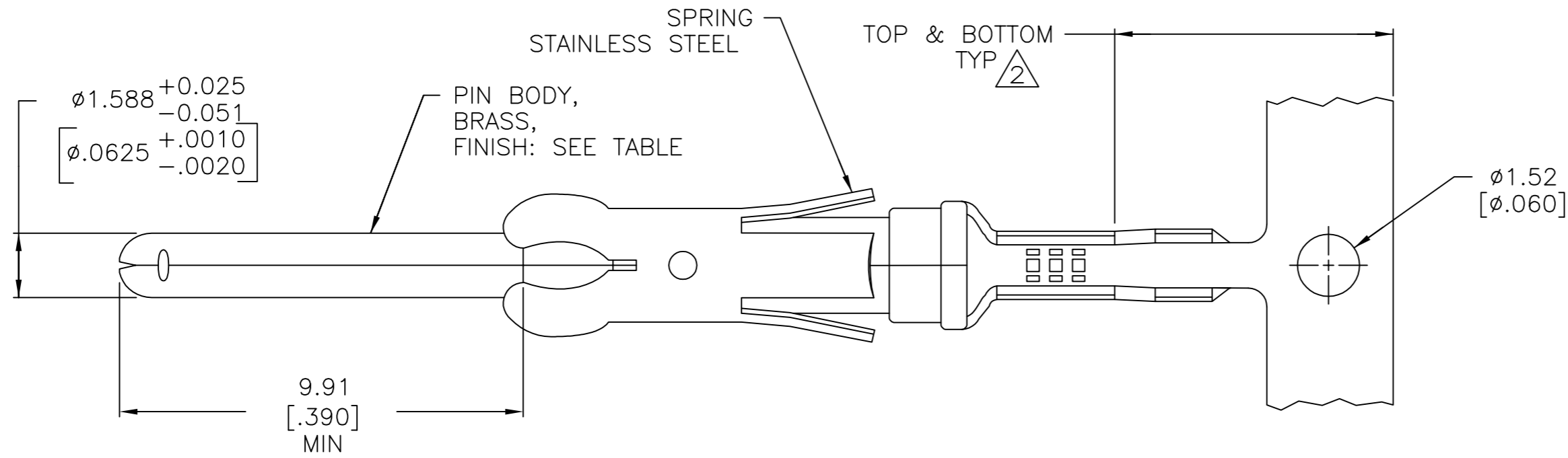
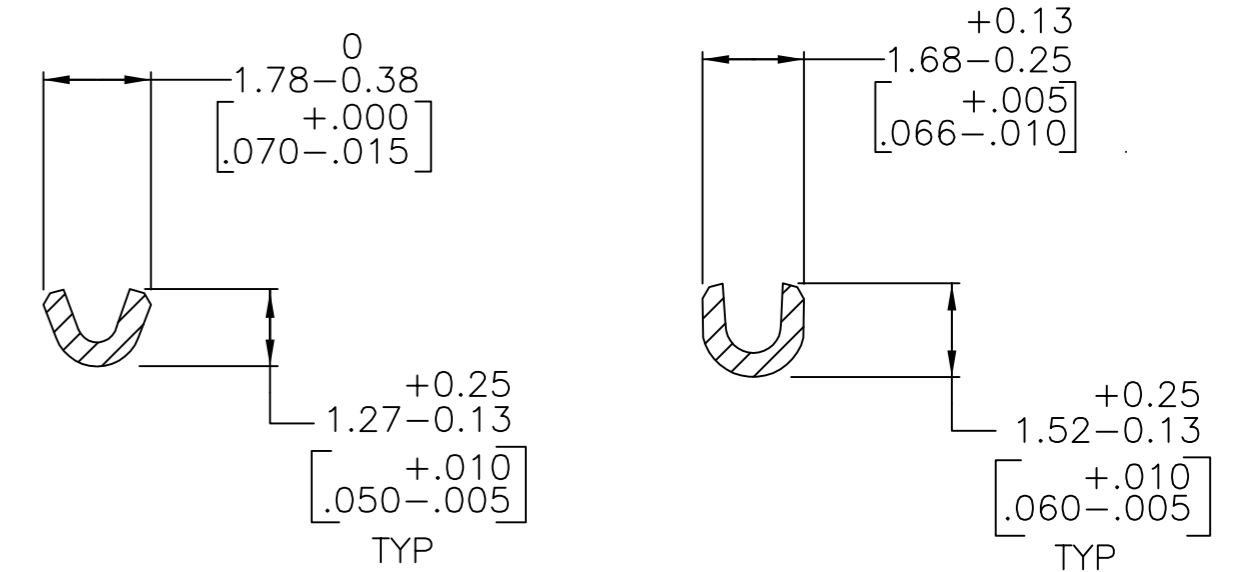
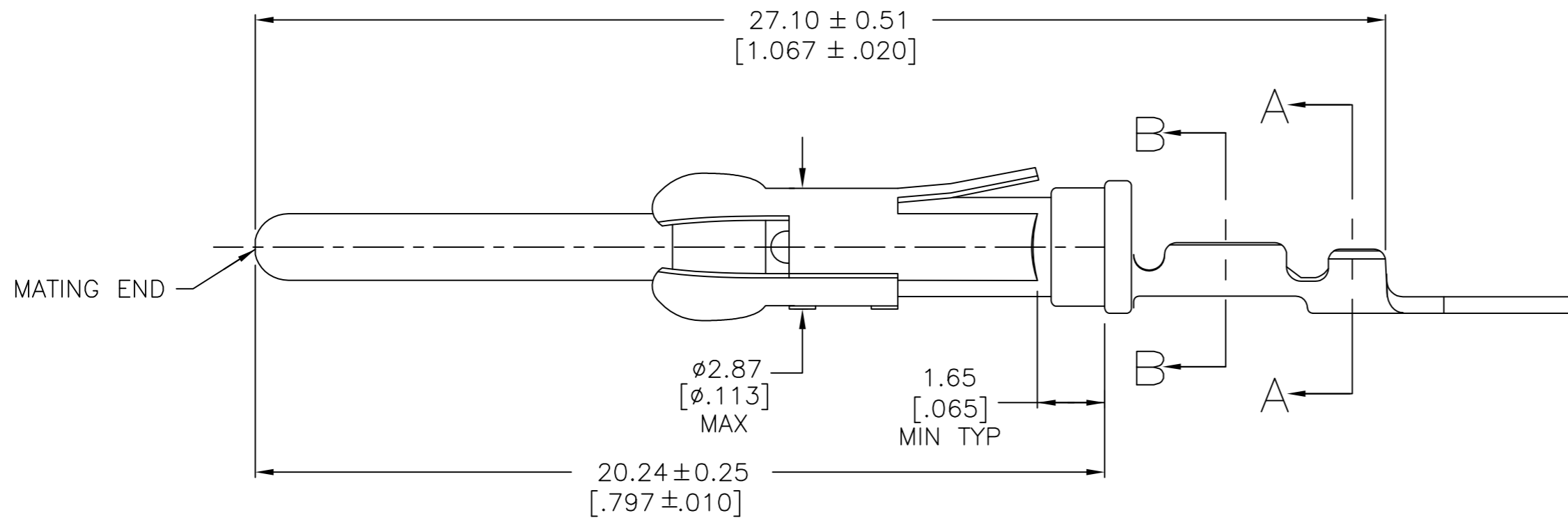


THIS DRAWING IS UNPUBLISHED. RELEASED FOR PUBLICATION  
 © COPYRIGHT - By - ALL RIGHTS RESERVED.

REVISIONS					
P	LTR	DESCRIPTION	DATE	DWN	APVD
E1		REVISED PER ECO-16-004223	20JUL2016	NK	MZ
F		REVISED PER ECO-16-017885	06OCT2017	RS	MZ



DETAIL C  
SCALE 4:1



SECTION B-B

SECTION A-A

- $\triangle 1$  0.76 $\mu$ m [.000030] MIN PRECIOUS METAL PLATE ON MATING END FOR A LENGTH OF 5.08 [.200] MIN WITH 1.27 $\mu$ m [.000050] MIN MATTE TIN PLATE IN WIRE CRIMP AREA, BOTH OVER 1.27 $\mu$ m [.000050] MIN NICKEL PLATE. CONFORMS TO THE REQUIREMENTS OF TE CONNECTIVITY PRODUCT SPEC 108-10042, BASED ON EIA/ECA-364-1000.01A (CONTROLLED ENVIRONMENT APPLICATIONS).
- $\triangle 2$  GOLD PLATING NEED NOT APPEAR IN THIS AREA.
- 3 REELED FOR MINI-APPLICATOR.
- 4 WIRE RANGE 28-30 AWG. INSULATION RANGE  $\phi 3.81$  [ $\phi 0.15$ ]- $\phi 7.62$  [ $\phi 0.30$ ].
- $\triangle 5$  0.76 $\mu$ m [.000030] MIN PRECIOUS METAL PLATE ON MATING END FOR A LENGTH OF 5.08 [.200] MIN WITH A UNIFORM GRADIENT TO 0.25 m [.000010] ON REMAINDER, OVER 1.27 $\mu$ m [.000050] MIN NICKEL PLATE. GOLD FLASH ALL OVER. CONFORMS TO THE REQUIREMENTS OF TYCO ELECTRONICS PRODUCT SPEC 108-10042, BASED ON EIA/ECA-364-1000.01A (CONTROLLED ENVIRONMENT APPLICATIONS).
- $\triangle 6$  0.38 $\mu$ m [.000015] MIN GOLD PER MIL-G-45204 ON MATING END FOR A LENGTH OF 5.08 [.200] MIN WITH 1.27 $\mu$ m [.000050] MIN MATTE TIN PLATE IN WIRE CRIMP AREA, BOTH OVER 1.27 $\mu$ m [.000050] MIN NICKEL PER QQ-N-290.

OBSOLETE	PER DETAIL C	$\triangle 1$	<del>788085-4</del>
	-	$\triangle 6$	788085-3
OBSOLETE	-	$\triangle 5$	788085-2
	-	$\triangle 1$	788085-1
	LOOSE PIECE	FINISH	PART NUMBER

THIS DRAWING IS A CONTROLLED DOCUMENT.		DWN C.OBERMAN 21 NOV 96		
DIMENSIONS: mm [INCHES]		CHK R.STONE 22 NOV 96		
TOLERANCES UNLESS OTHERWISE SPECIFIED:		APVD G.STEINHAUER 22 NOV 96	NAME	
0 PLC $\pm$ -		PRODUCT SPEC 108-10042	PIN ASSEMBLY, .062, TYPE III+	
1 PLC $\pm$ -		APPLICATION SPEC 114-10004	SIZE A2	CAGE CODE 00779
2 PLC $\pm 0.13$ [.005]		WEIGHT -	DRAWING NO C=788085	RESTRICTED TO -
3 PLC $\pm$ -		CUSTOMER DRAWING	SCALE 4:1	SHEET 1 of 1
4 PLC $\pm$ -		SEE CALLOUTS	REV F	
ANGLES $\pm$ -				
FINISH				
SEE CALLOUTS				