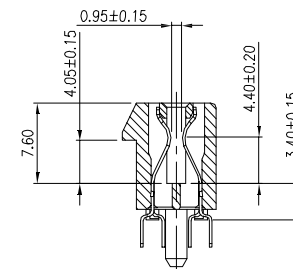
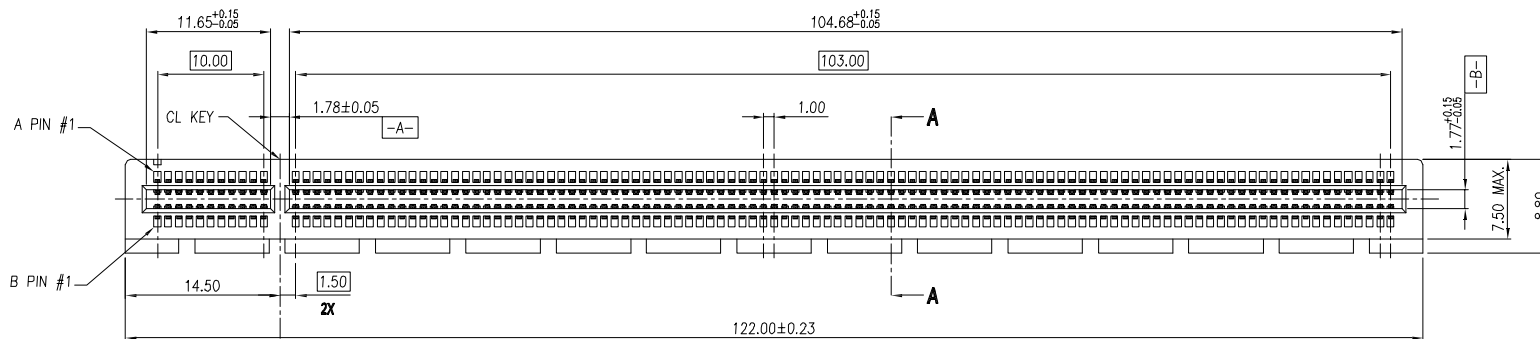
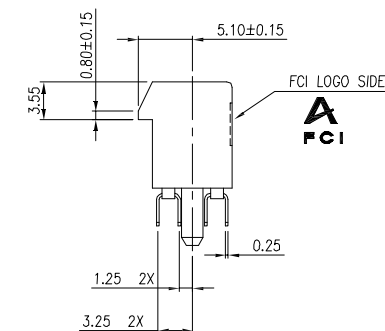


PROD NO  
SEE NOTE

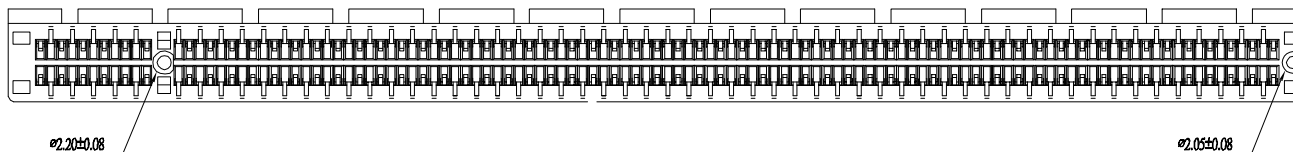
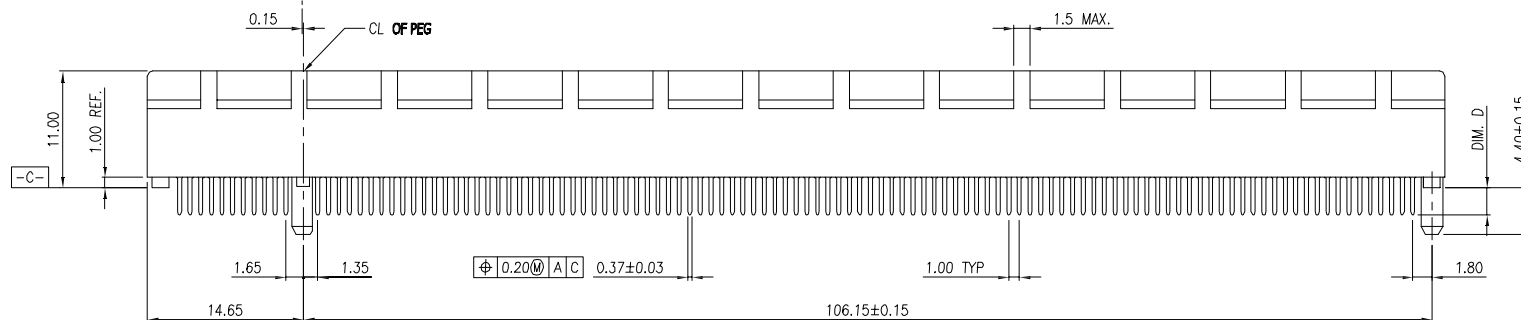


SECTION A-A



A

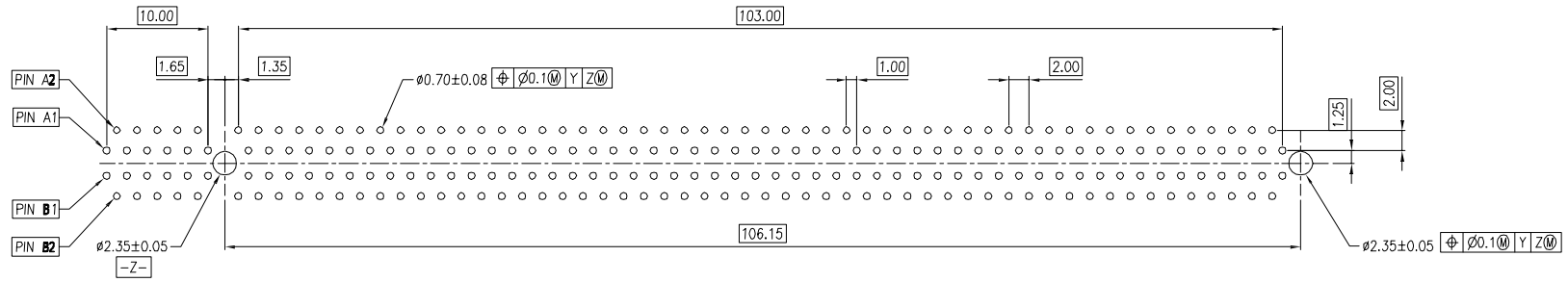
A



B

B


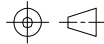
mat'l. code				tolerances unless otherwise specified				CUSTOMER COPY		 www.fciconnect.com			
ltr	ecn no	dr	date	linear	.X ±.38			projection	title				
A	T06-0076	J.H	11/30/05		.XX ±.25				PCI-E 230P CARD EDGE GEN3				
B	ELX-DG-2161-1	S T	05/27/15		.XXX ±.10								
				angles	0° ±2'			MM		product family	PCI	code	-
				dr	STONE LI	05/27/15		scale		size	dwg no	sheet	1 of 4
				engr	STONE LI	05/27/15		N/A		A4	10063960		
				chr	/	/							
				appd	PM ZHENG	05/27/15							
sheet index	revision sheet	B	B	B	B								
		1	2	3	4								

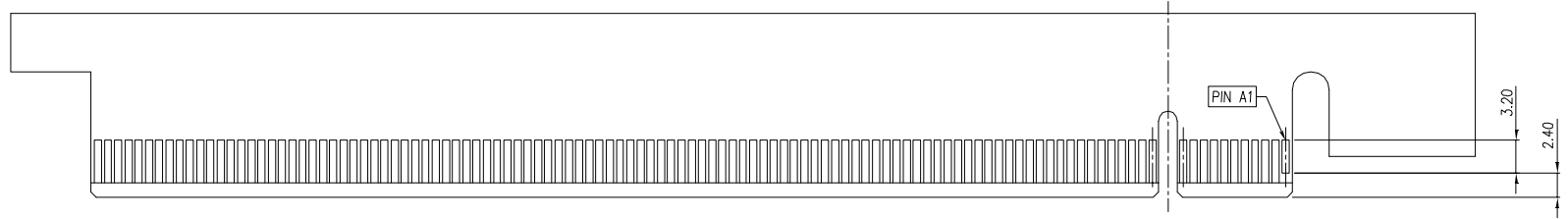


-Y-  
PCB SURFACE

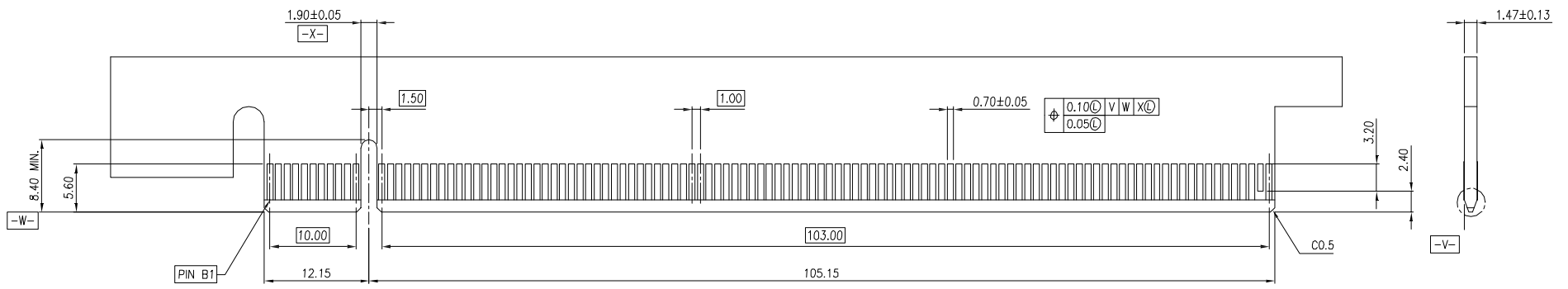
← I/O PANEL DIRECTION

**RECOMMENDED FOOTPRINT**

mat'l. code				tolerances unless otherwise specified				CUSTOMER COPY		 www.fciconnect.com	
ltr	ecn no	dr	date	linear	.X ±.38			projection	title		
					.XX ±.25				PCI-E 230P CARD EDGE GEN3		
					.XXX ±.10						
				angles	0° ±2°						
				dr	STONE LI	05/27/15	MM	product family		code	
				enr	STONE LI	05/27/15		PCI		-	
				chr	/	/		size dwg no		sheet	
				appd	PM ZHENG	05/27/15	scale	A4 10063960		2 of 4	
sheet index	revision sheet										

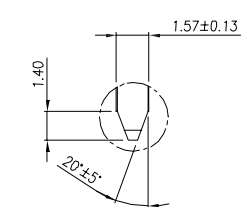


I/O PANEL DIRECTION SECONDARY (SOLDER) SIDE →


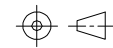
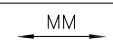


← I/O PANEL DIRECTION PRIMARY (COMPONENT) SIDE

ADD-IN CARD EDGE-FINGER DIMENSIONS



SCALE 2:1

mat'l. code				tolerances unless otherwise specified				CUSTOMER COPY		 www.fciconnect.com	
ltr	ecn no	dr	date	linear	.X ±.38		projection		title		
					.XX ±.25				PCI-E 230P CARD EDGE GEN3		
					.XXX ±.10				code		
				angles	0° ±2°		 MM	product family		code	
				dr	STONE LI	05/27/15		PCI		-	
				engr	STONE LI	05/27/15		size		sheet	
				chr	/	/		A4		3 of 4	
				appd	PM ZHENG	05/27/15	scale	10063960			
sheet index		revision sheet									

cage code 22526

NOTES:

1.MATERIAL:

HOUSING: THERMOPLASTIC WITH GLASS FIBER, UL94V-0, COLOR IN BLACK.

CONTACTS: COPPER ALLOY.

2.FINISH:

CONTACTS: GOLD PLATING ON CONTACT AREA, 100u"MIN. TIN/LEAD OR MATTE TIN (LEAD FREE OPTION) PLATING ON SOLDERTAILS, 50u"MIN. NICKEL UNDERPLATING OVER ALL.

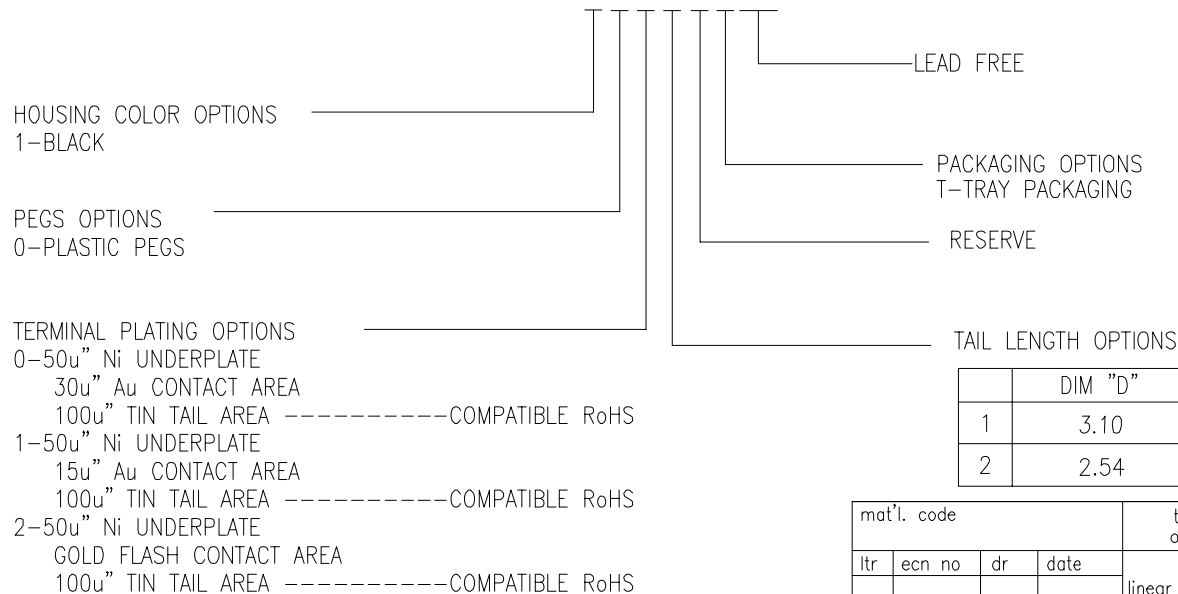
3. DURABILITY: 50 CYCLES.

4. RoHS COMPATIBLE PRODUCT SPECIFICATIONS


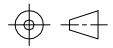
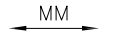
a. PLATING: "LF" MEANS THE PRODUCT IS LEAD FREE, 2.5um min. MATTE PURE TIN OVER 1.27um MIN. NICKEL UNDERPLATE.

b. MANUFACTURING PROCESS COMPATIBILITY: THE HOUSING WILL WITHSTAND EXPOSURE TO 260C±5C° SOLDER BATH TEMPERATURE FOR 5 SECONDS IN A WAVE SOLDER APPLICATION WITH A 1.60MM THICK CIRCUIT BOARD.

PRODUCT NUMBER CODE  
10063960 - X X X X 0 T L F



	DIM "D"	SUGGESTED PCB THICKNESS
1	3.10	2.36±0.10
2	2.54	1.56±0.10

mat'l. code				tolerances unless otherwise specified		CUSTOMER COPY		 www.fciconnect.com	
ltr	ecn no	dr	date	linear	.X ±.38		projection	title	
					.XX ±.25			PCI-E 230P CARD EDGE GEN3	
					.XXX ±.10				
				angles	0° ±2°		 MM	product family PCI	
				dr	STONE LI	05/27/15		code	
				engr	STONE LI	05/27/15		-	
				chr	/	/		sheet	
				appd	PM ZHENG	05/27/15	scale	4 of 4	
sheet index		revision sheet							

cage code  
22526