



Main

| | |
|------------------------------|-------------------------------------|
| Range of product | OsiSense XCC |
| Encoder type | Single turn absolute encoder |
| Device short name | XCC |
| Product specific application | - |
| Diameter | 2.28 in (58 mm) |
| Shaft diameter | 0.55 in (14 mm) |
| Shaft type | Through shaft |
| Resolution | 8192 points |
| Electrical connection | 1 male connector M23 radial 12 pins |
| Output stage | Type SB |
| Type of output stage | SSI 13-bit binary |
| [Us] rated supply voltage | 11...30 V DC |
| Enclosure material | Zamak |

Complementary

| | |
|--------------------------|---|
| Shaft tolerance | H7 |
| Residual ripple | 500 mV |
| Maximum revolution speed | 6000 rpm |
| Shaft moment of inertia | 0.01 lb.in ² (22 g.cm ²) |
| Torque value | 0.05 lbf.in (0.006 N.m) |
| Maximum load | 2 daN axial 5 daN radial |
| Output frequency | 100...1000 kHz |
| Current consumption | 0...100 mA no-load |
| Protection type | Reverse polarity protection Short-circuit protection |
| Maximum output current | 20 mA |
| Physical interface | RS422 |
| Output level | High level: 2 V minimum 20 mA |
| Surge withstand | 1 kV level 2 IEC 61000-4-5 |
| Base material | Aluminium |
| Shaft material | Stainless steel |
| Type of ball bearings | 6803ZZ |
| Product weight | 0.95 lb(US) (0.43 kg) |

Environment

| | |
|---------------------------------------|--|
| marking | CE |
| ambient air temperature for operation | -4...194 °F (-20...90 °C) |
| ambient air temperature for storage | -22...185 °F (-30...85 °C) |
| IP degree of protection | IP65 IEC 60529 |
| vibration resistance | 10 gn (10...2000 Hz) IEC 60068-2-6 |
| shock resistance | 30 gn (11 ms) IEC 60068-2-27 |
| resistance to electrostatic discharge | 4 kV contact discharge level 3 IEC 61000-4-2 8 kV air discharge level 3 IEC 61000-4-2 |
| resistance to electromagnetic fields | 9.14 V/yd (10 V/m) level 3 IEC 61000-4-3 |
| resistance to fast transients | 1 kV signal ports level 3 IEC 61000-4-4 2 kV power ports level 3 IEC 61000-4-4 |

The information provided in this documentation contains general descriptions and/or technical characteristics of the performance of the products contained herein. This documentation is not intended as a substitute for and is not to be used for determining suitability or reliability of these products for specific user applications. It is the duty of any such user or integrator to perform the appropriate and complete risk analysis, evaluation and testing of the products with respect to the relevant specific application or use thereof. Neither Schneider Electric Industries SAS nor any of its affiliates or subsidiaries shall be responsible or liable for misuse of the information contained herein.

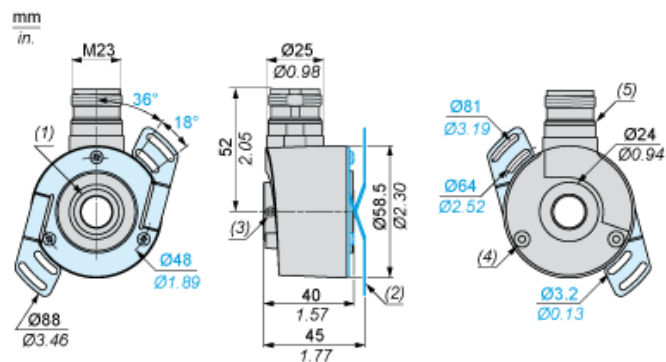
Offer Sustainability

| | |
|--|--|
| Not Green Premium product | Not Green Premium product |
| Compliant - since 0701 - Schneider Electric declaration of conformity | Compliant - since 0701 - Schneider Electric declaration of conformity |
| Reference not containing SVHC above the threshold | Reference not containing SVHC above the threshold |
| WARNING: This product can expose you to chemicals including: | WARNING: This product can expose you to chemicals including: |
| Diisononyl phthalate (DINP), which is known to the State of California to cause cancer, and | Diisononyl phthalate (DINP), which is known to the State of California to cause cancer, and |
| Di-isodecyl phthalate (DIDP), which is known to the State of California to cause birth defects or other reproductive harm. | Di-isodecyl phthalate (DIDP), which is known to the State of California to cause birth defects or other reproductive harm. |
| For more information go to www.p65warnings.ca.gov | For more information go to www.p65warnings.ca.gov |

Contractual warranty

| | |
|-----------------|-----------|
| Warranty period | 18 months |
|-----------------|-----------|

Dimensions

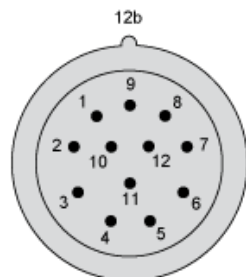


- (1) Through shaft, Ø 14 (H7)
- (2) Flexible mounting kit, 1 x XCCRF5N mounted
- (3) 2 HC M4 x 4 locking screws
- (4) Hole for M3 x 6 self-threading screw
- (5) Nitrile seal

Wiring Diagram

M23, 12-pin Connector, Anticlockwise Connections

Male Connector on Encoder



| Pin number | 1 | 2 | 3 | 4 | 5 | 6 | 7 | 8 | 9 | 10 | 11 | 12 |
|---------------|-----|--------|-------|---|------------------|---|---|-----|---|--------|-------|----|
| Signal Supply | 0 V | Data + | Clk + | R | Direction (1) | R | R | + V | R | Data - | Clk - | R |

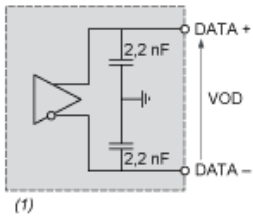
(1) : Clockwise direction, 5 to 0 V

: Anticlockwise direction, 5 to + V

R = Reserved (do not connect)

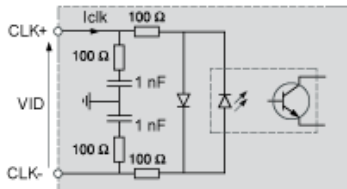
Technical Description

RS 422 Data Output



(1) $I_{data} = 20 \text{ mA}$ $|VOD| > 2 \text{ V}$

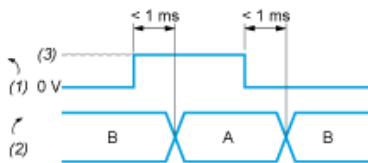
Isolated Clock Input



VID maximum: 5 V

Iclk maximum: 15 mA

DIRECTION Input



A : Anticlockwise

B : Clockwise

(1) DIRECTION input

(2) DIRECTION of counting

(3) V supply