

THIS DRAWING IS UNPUBLISHED.

RELEASED FOR PUBLICATION

20

© COPYRIGHT 20

Tyco Electronics AMP GmbH

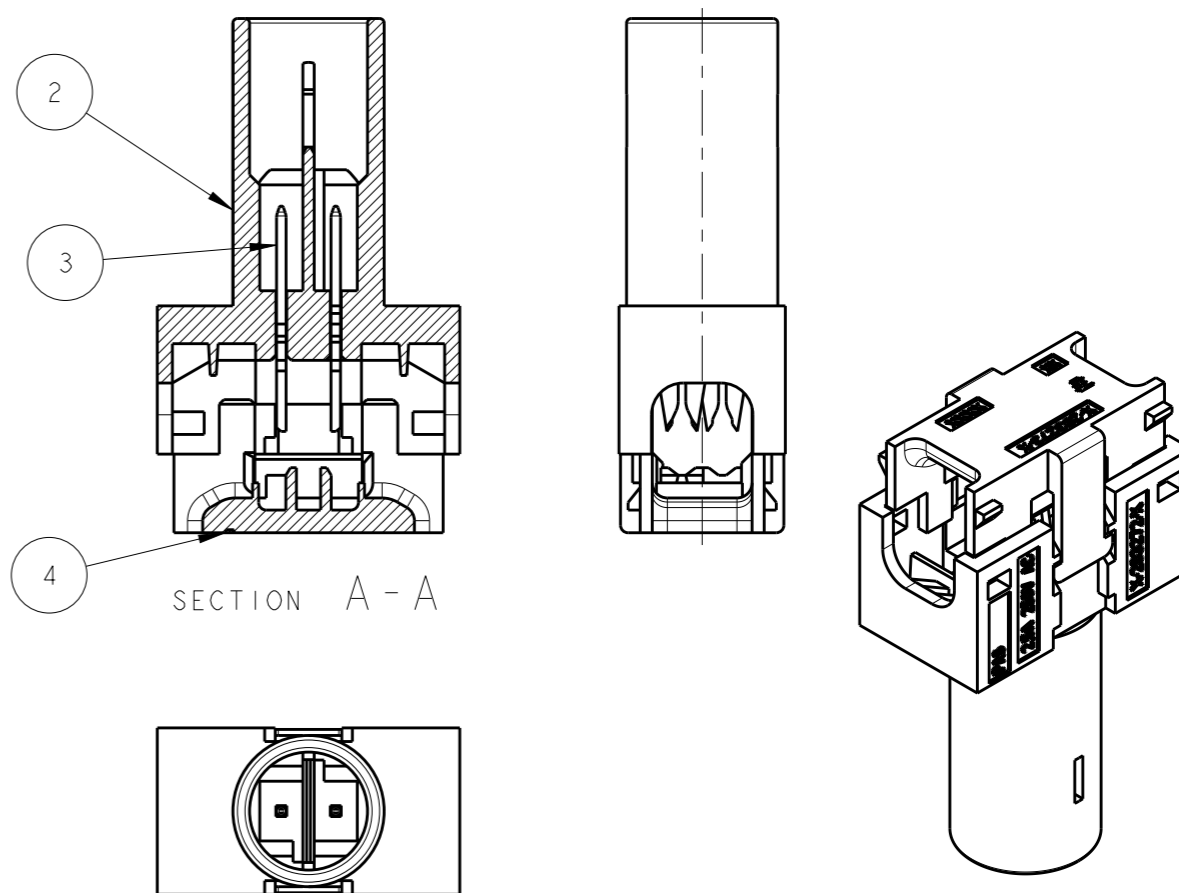
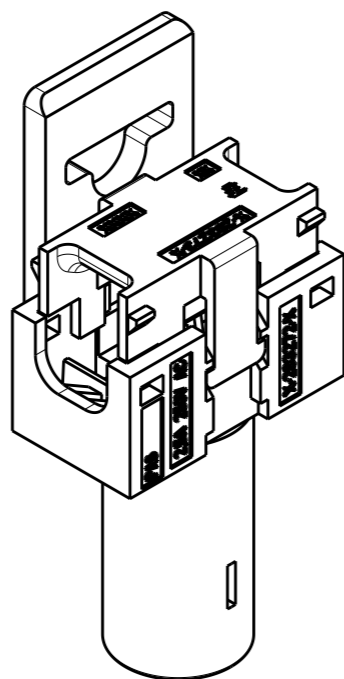
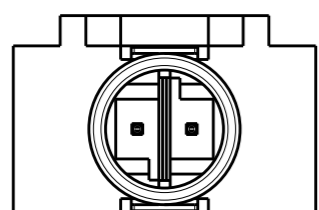
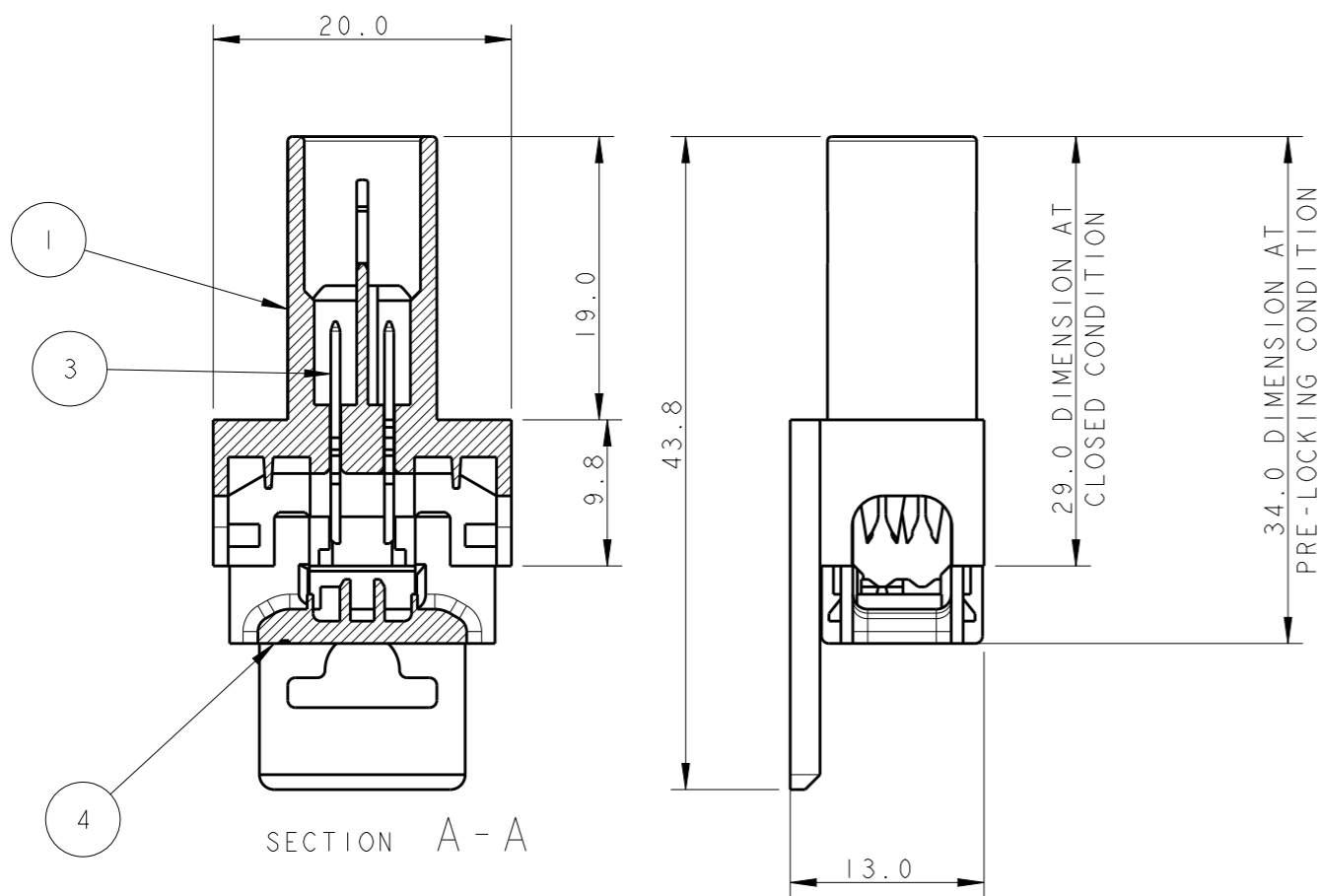
ALL RIGHTS RESERVED.

LOC  
A1

DIST  
-

REVISIONS

P	LTR	DESCRIPTION	DATE	DWN	APVD
L		IMPROVED LOCKING RETENTION TEETH	20MAY2011	AV	GT
M		REMOVED H05VVH2-F CABLE	22AUG2012	MZ	JC
N		ECR-16-004670	26APR2016	RS	JL

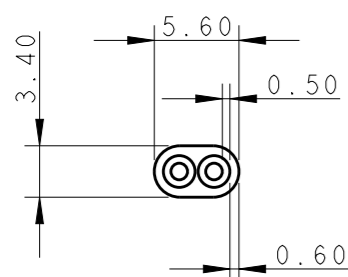


P/N 0-293300-3;-4 AS SHOWN  
POLARIZATION KEY HV-1

MISSING DIMENSION SEE P/N 0-...-1

CABLE CONFIGURATION

CABLE H03VVH2-F  
2x0.75 mm<sup>2</sup>



P/N 0-293300-1;-2 AS SHOWN  
POLARIZATION KEY HV-1

THIS DRAWING IS A CONTROLLED DOCUMENT.

DIMENSIONS:	TOLERANCES UNLESS OTHERWISE SPECIFIED:
mm	0 PLC ±-
	1 PLC ±0.3
	2 PLC ±0.05
	3 PLC ±-
	4 PLC ±-
	ANGLES ±°
MATERIAL	FINISH
-	-

DWN	23APR2007
A. Vecchia	
CHK	23APR2007
G. Turco	
APVD	23APR2007
G. Turco	
PRODUCT SPEC	108-94018
APPLICATION SPEC	114-20131
WEIGHT	-
CUSTOMER DRAWING	

TE Connectivity		NAME		RESTRICTED TO
		BUS BAR 2 POSITION GENERAL		
SIZE	CAGE CODE	DRAWING NO	-	
A3	00779	C-293300	-	
SCALE	SHEET	OF	REV	
2:1	1	2	N	

