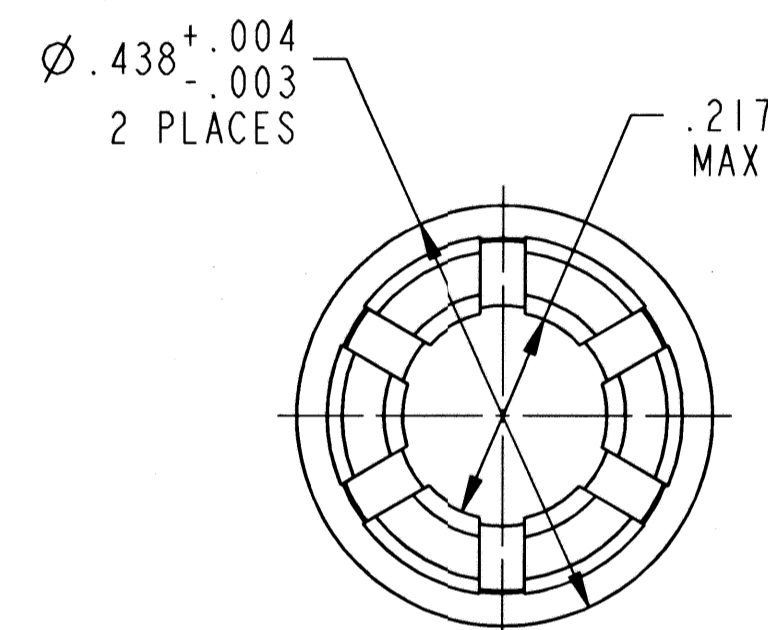
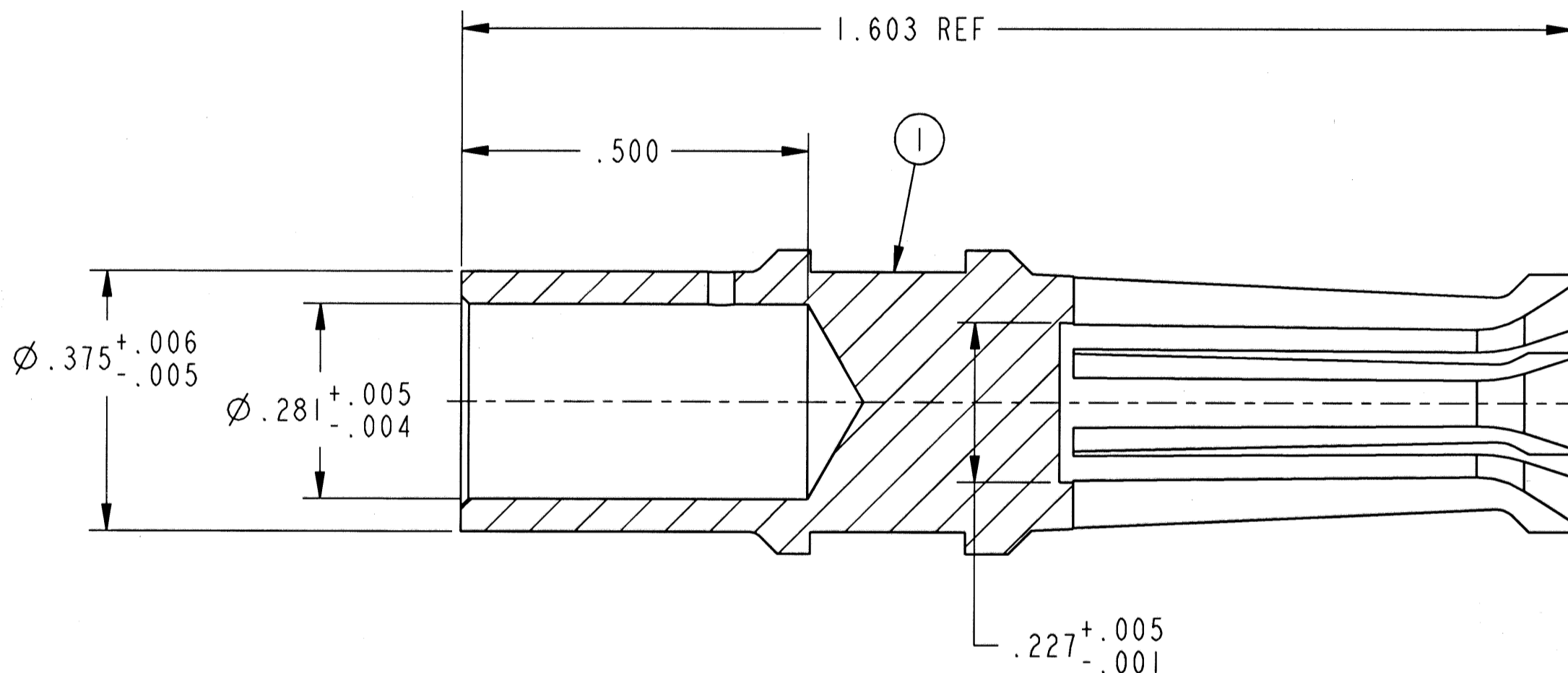
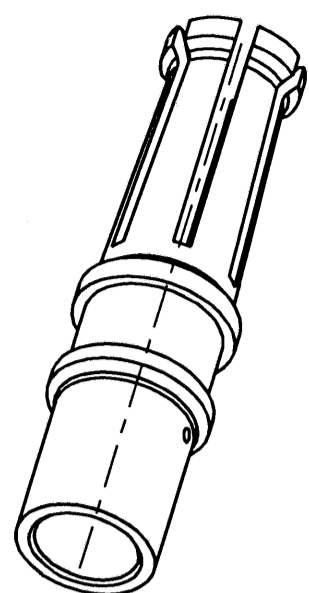


REVISIONS			
LTR	DESCRIPTION	DATE	APPVD
C	(CL 11) SEE CHANGE NOTICE ECN: 88492	11-20-00 PRESCOTT	<i>Prescott</i>



4. MEAN SURFACE AREA 3.1937 SQ IN.
3. SILVER PLATE .0002-.0004 THICK PER 9-1882.
PROTECTIVE TREAT PER 9-3264.
2. ALL DIMENSIONS ARE AFTER PLATING.
1. A $\phi .2260^{+.0002}_{-.0000}$ HARDENED STEEL PIN
MUST ENGAGE SOCKET WITH A FORCE NOT GREATER
THAN 11 LBS. FOLLOWING THIS A $\phi .2240^{+.0000}_{-.0002}$
HARDENED STEEL PIN SHALL DISENGAGE SOCKET
WITH A FORCE NOT LESS THAN 20 OZ. DEPTH OF
ENGAGEMENT SHALL BE .594 MIN. FROM FRONT
OF CONTACT. PINS SHALL HAVE A FINISH OF $\sqrt{3}$

NOTES:

THE USE OF THIS DOCUMENT IS UNLIMITED.
HOWEVER, DOCUMENTS REFERENCED HEREON
MAY CONTAIN LIMITED RIGHTS DATA.

COMPANY ID: 9 CODED/MS/CUST: N N/A
INTERNAL: N LOT NO: N
DATE CODE: N SEE DRAW: N N/A

STAMPING DATA NEXT ASSEMBLY

UNLESS OTHERWISE SPECIFIED	SPECIFICATIONS
LINEAR DIMENSIONS ARE IN INCHES TOLERANCES: .XXXX = ± .0005 .XXX = ± .010 .XX = ± .03 .X = ± .1 ANGLES = ± 2° OTHER STANDARDS PER 9-3800 AND DOD-D-1000 THIRD ANGLE PROJECTION	MATERIAL SPEC. N/A
	PROCESS SPEC. SEE NOTE 3

I	I	10-40565-B	CONTACT	
POS	QTY	PART NUMBER	DESCRIPTION	NOTE
PARTS LIST				
			AMPHENOL CORPORATION <small>AEROSPACE OPERATIONS STONEY, N.Y.</small>	
			CONTACT, SOCKET, CRIMP	
			SIZE 4	
			SILVER PLATED	
		APPROVALS	DATE	
		PREPARED D. MARSHALL	11-Nov-98	
		CHECKED A. PRESCOTT	12-22-98	
		MATERIAL J. FOGARTY	12-22-98	
		APPROVED D. MARSHALL	12-22-98	
		APPROVED R. BARNES	12-22-98	
		PROJ/ENG INFORMATION 10-40565.PART 10-40565		
SIZE	FSCM NO.	DOCUMENT NO.	REV.	
C	77820	10-40565	C	
SCALE: 5.0		REF: 10-101515-4S	SHEET 1 OF 1	

FAMCODES DATA3: GTCBNS CICS: