

KSA & KSL Series Sealed Tact Switch



Features/Benefits

- Designed for automatic or manual insertion
- Cambered terminals to ensure self retention
- Top or side actuated
- Large choice of caps
- RoHS compliant and compatible

Typical Applications

- Automotive
- Industrial
- Telecommunication networks

B

Tactile Switches

Specification

CONTACT ARRANGEMENT: SPST, N.O.
DOUBLE OVERMOLDING ON TERMINAL
SEALING: IP60
TERMINALS: PC pins, ground pin optional

Mechanical

| Type | Actuation force N | Operating life (operations) | Travel to make |
|----------|-------------------|-----------------------------|----------------|
| KSA0M211 | 1,4 ± 0,4 | 100,000 | 0,5 ± 0,2 |
| KSA0M311 | 1,4 ± 0,4 | 1,000,000 | 0,5 ± 0,2 |
| KSA0M411 | 3 ± 0,75 | 100,000 | 0,6 ± 0,2 |
| KSA0M511 | 5 ± 1,5 | 100,000 | 0,7 ± 0,2 |
| KSA0M911 | 3 ± 0,75 | 500,000 | 0,6 ± 0,2 |
| KSL0M211 | 1,4 ± 0,4 | 100,000 | 0,5 ± 0,2 |
| KSL0M311 | 1,4 ± 0,4 | 1,000,000 | 0,5 ± 0,2 |
| KSL0M411 | 3 ± 0,75 | 100,000 | 0,6 ± 0,2 |
| KSL0M511 | 5 ± 1,5 | 100,000 | 0,7 ± 0,2 |
| KSL0M911 | 3 ± 0,75 | 500,000 | 0,6 ± 0,2 |

NOTE: Other versions in terms of force, termination length and corrosion protection available. Please contact your sales representative.

This data sheet does not provide enough information for applications which require a certain level of quality or safety such as automotive, medical systems, safety equipment. Please contact your sales representative to get contractual specification package.

Electrical

| | Silver | Gold |
|--|--------|--------|
| MAXIMUM POWER: | 1 VA | 0.2 VA |
| MAXIMUM VOLTAGE: | 32 VDC | 32 VDC |
| MINIMUM VOLTAGE: | 20 mV | 20 mV |
| MAXIMUM CURRENT: | 50 mA | 10 mA |
| MINIMUM CURRENT: | 1 mA | 1 mA |
| DIELECTRIC STRENGTH: 250 Vrms | | |
| CONTACT RESISTANCE: ≤ 100m Ω | | |
| INSULATION RESISTANCE (100 V): ≥ 10 ⁹ Ω | | |
| BOUNCE TIME: ≤ 1 ms | | |

Environmental

| | Silver | Gold |
|------------------------|---------------|----------------|
| OPERATING TEMPERATURE: | -40°C to 85°C | -40°C to 125°C |
| STORAGE TEMPERATURE: | -40°C to 85°C | -55°C to 125°C |

Process

Wave soldering compatible with lead free soldering profile.

Packaging

Can be delivered in tubes of 65 pieces for automatic insertion or in boxes of 500 pieces for manual insertion (250 pieces for KSL, KSLV, KSAV).

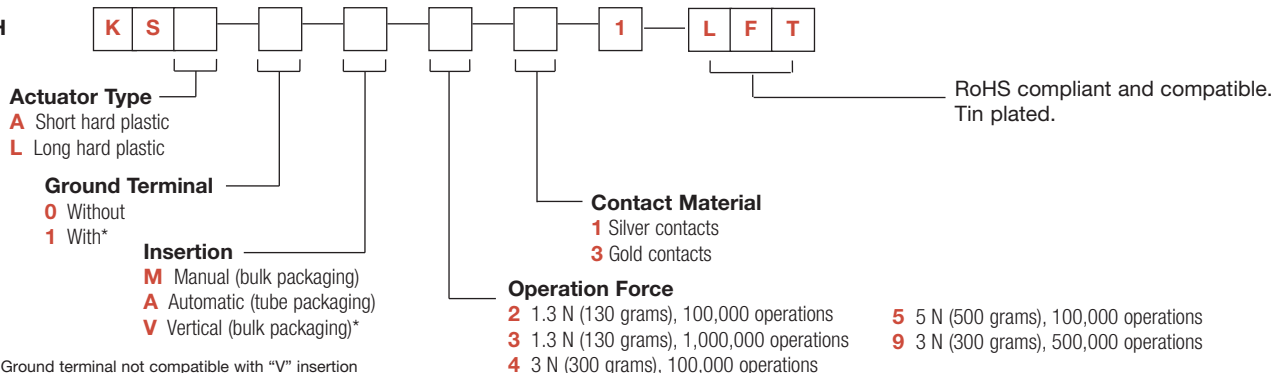
How To Order

Our easy build-a-switch concept allows you to mix and match options to create the switch you need. To order, select desired option from each category and place it in the appropriate box.

However, please note that all the combinations of these options are not feasible.

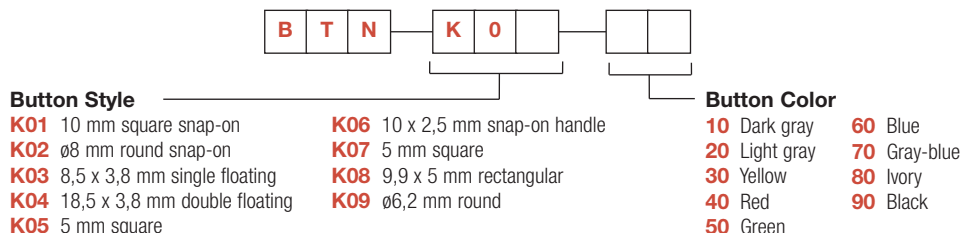
For any part number different from those listed above, please consult your local representative.

SWITCH



*Note: "1" Ground terminal not compatible with "V" insertion

BUTTONS Buttons must be ordered separately and will be supplied in bulk.



*NOTE: Please note that all buttons are not RoHS compliant. Please check the compliance with your C&K sales representative.

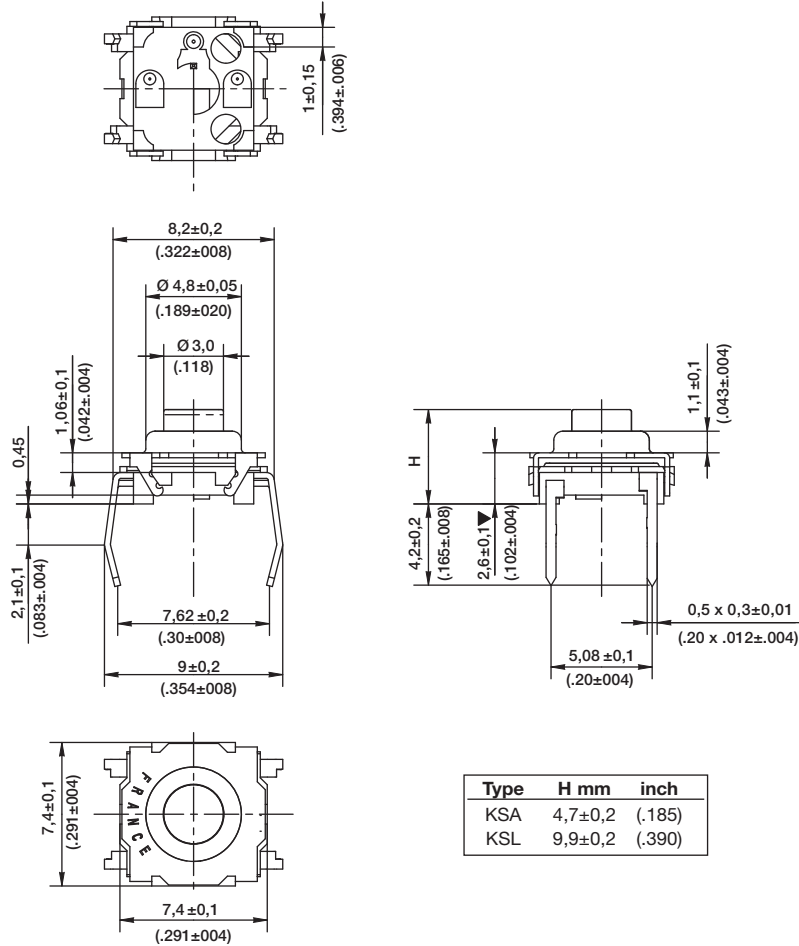


Dimensions are shown: mm (inches)
Specifications and dimensions subject to change

KSA & KSL Series Sealed Tact Switch

ACTUATOR TYPE

KSA & KSL

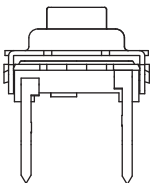


B

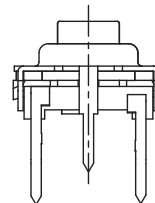
Tactile Switches

GROUND TERMINAL

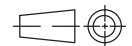
0 WITHOUT



1* WITH



*Not compatible with "V" insertion



First Angle Projection

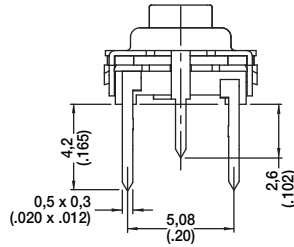
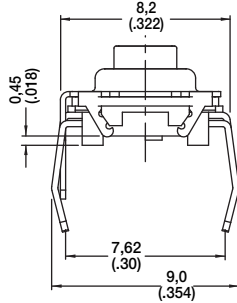
Dimensions are shown: mm (inches)
Specifications and dimensions subject to change

KSA & KSL Series Sealed Tact Switch

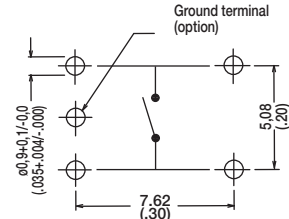
INSERTION

Tactile Switches

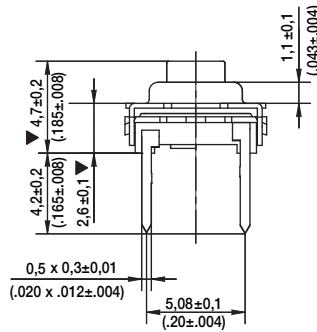
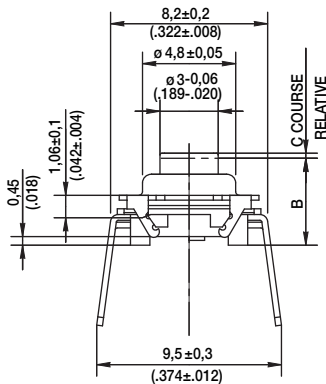
M MANUAL (BULK PACKAGING)



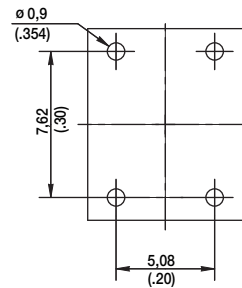
PCB LAYOUT



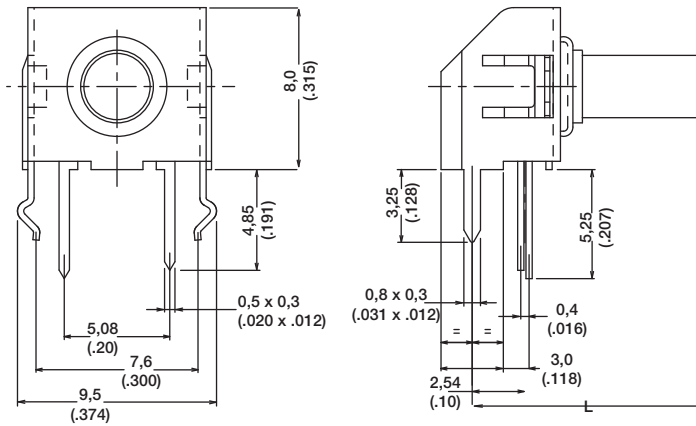
A AUTOMATIC (TUBE PACKAGING, 65 PIECES PER TUBE)



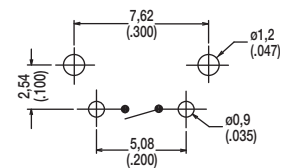
PCB LAYOUT



V VERTICAL



PCB LAYOUT



DIMENSION L

| Type | L mm | inch |
|-------|------|------|
| KSA0V | 5,8 | .228 |
| KSL0V | 11,1 | .437 |

OPERATING FORCE

| OPTION CODE | OPERATING FORCE |
|-------------|---|
| 2 | 1.3 N (130 grams) 100,000 operations |
| 3 | 1.3 N (130 grams) 1,000,000 operations |
| 4 | 3.0 N (300 grams) 100,000 operations |
| 5 | 5.0 N (500 grams) 100,000 operations |
| 9 | 3.0 N (300 grams) 500,000 operations |



First Angle
Projection

Dimensions are shown: mm (inches)

Specifications and dimensions subject to change



KSA & KSL Series Sealed Tact Switch

CONTACT MATERIAL

| OPTION CODE | CONTACT MATERIAL |
|-------------|------------------|
| 1 | Silver contacts |
| 3 | Gold contacts |

SEALING

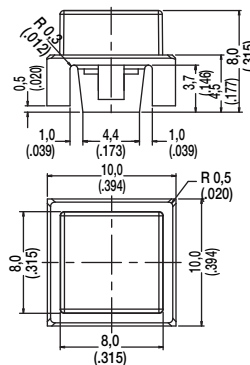
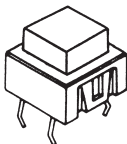
| OPTION CODE | SEALING |
|-------------|--------------------|
| 1 | Sealing level IP60 |

BUTTONS

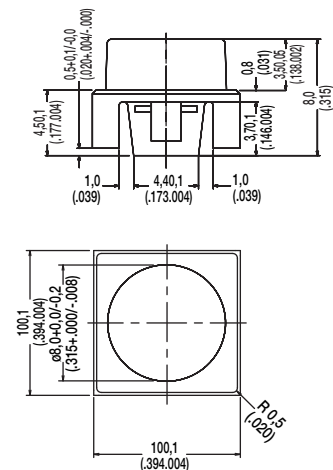
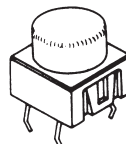
Buttons must be ordered separately and will be supplied in bulk.

| BUTTON TYPE | KSA | KSL | KSAV | KSLV |
|-------------|-----|-----|------|------|
| K01 | X | | | |
| K02 | X | | | |
| K03 | X | X | X | X |
| K04 | X | X | X | X |
| K05 | | X | | X |
| K06 | X | | | |
| K07 | | X | | X |
| K08 | | X | | X |
| K09 | | X | | X |

K01



K02



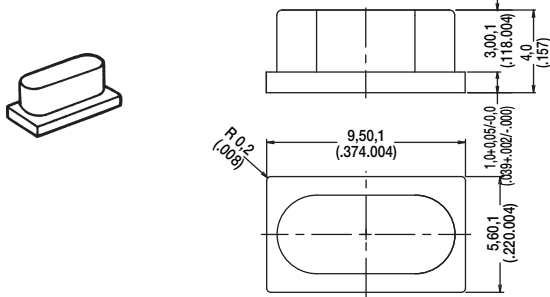
Dimensions are shown: mm (inches)
Specifications and dimensions subject to change

KSA & KSL Series Sealed Tact Switch

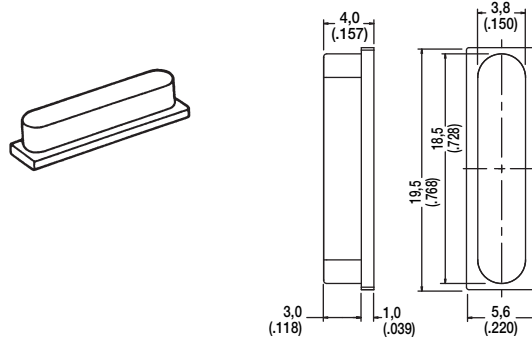
Tactile Switches

B

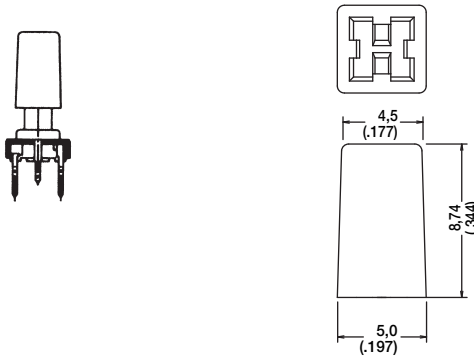
K03



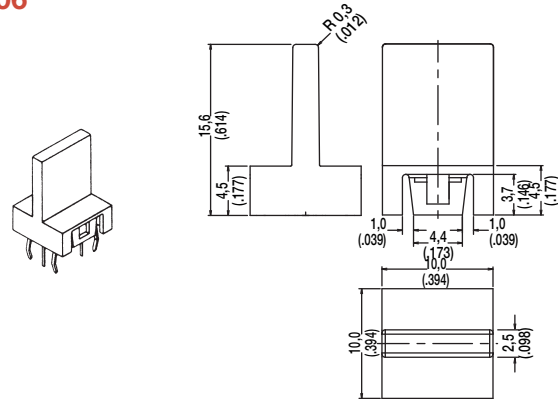
K04



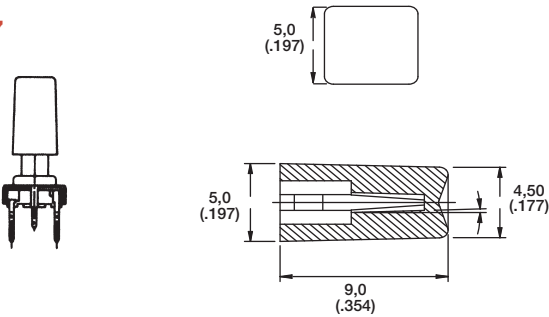
K05



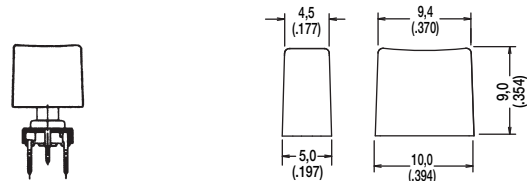
K06



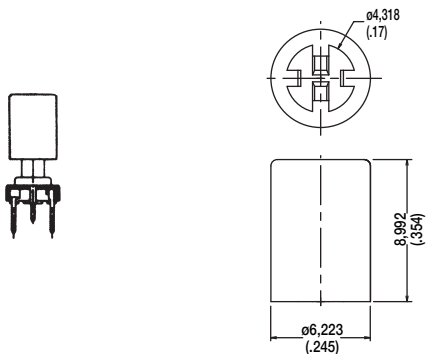
K07



K08



K09



First Angle
Projection

Dimensions are shown: mm (inches)
Specifications and dimensions subject to change

