

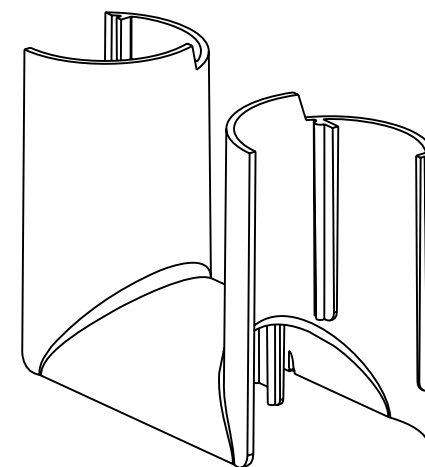
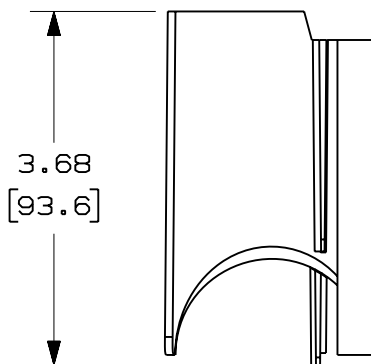
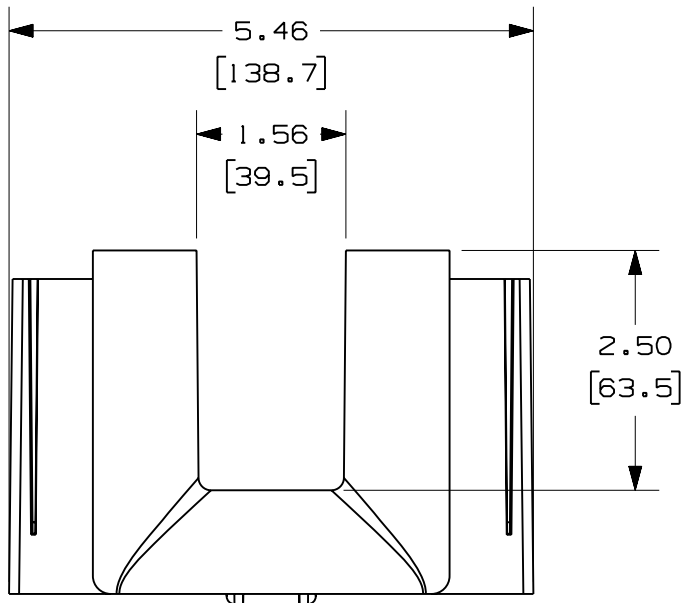
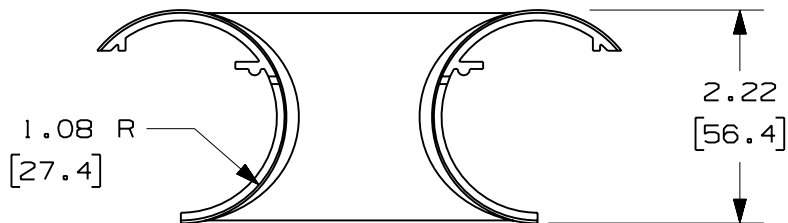
THIS COPY IS PROVIDED ON A RESTRICTED BASIS AND IS NOT TO BE USED IN ANY WAY DETRIMENTAL TO THE INTERESTS OF PANDUIT CORP.

PANDUIT PART NUMBER	WEIGHT
TRC4HDBL	.12 LB/EACH (54g/EACH)



NOTES:

1. SEE CURRENT CATALOG FOR ADDITIONAL PART SUFFIXES TO INDICATE PACKAGE QUANTITY.
2. THE PANDUCT TYPES H AND HS 4x4 WIRING DUCT BEND RADIUS CONTROL TRUMPET ALLOWS FOR CABLES TO SPILL OUT OF THE PANDUCT TYPES H AND HS 4x4 WIRING DUCT WHILE MAINTAINING A 1" (25.4) BEND RADIUS.
3. DIMENSIONS IN PARENTHESES ARE IN METRIC.



ENG. REF.: D39286BB_DC_TRC4HDBL_01.prt

CAD FILENAME/LAYERS		TRC4HDBL.pdf	
<h1>PANDUIT</h1> CORP TINLEY PARK, ILLINOIS			
PANDUCT TYPES H AND HS 4x4 WIRING DUCT BEND RADIUS CONTROL TRUMPET (TRC4HDBL) CUSTOMER DRAWING			
UNLESS OTHERWISE SPECIFIED, DIMENSIONAL TOLERANCES ARE:		UNLESS OTHERWISE SPECIFIED, ALL DIMENSIONS ARE GIVEN IN INCHES, THIRD ANGLE PROJECTION.	
(.X) ± (.XX) ± .03 (.8)		(.XXX) ± ANGLES ±	
DRAWN BY	MAT'L	SCALE	
MSO	ABS	NONE	
DATE		DRAWING NO.	DWG
10-7-05		39286-02	A
CHK'D			SIZE
SMF			A

REV	DATE	BY	CHK	DESCRIPTION	ECN	R	CUST	SUP	GMBH
1	7-21-06	DTP	RN	A. REVISED PART WEIGHT	39286-02	RN	RN		
R	10-7-05	MSO	SMF	RELEASED TO PRODUCTION	39286-02	RN	RN		