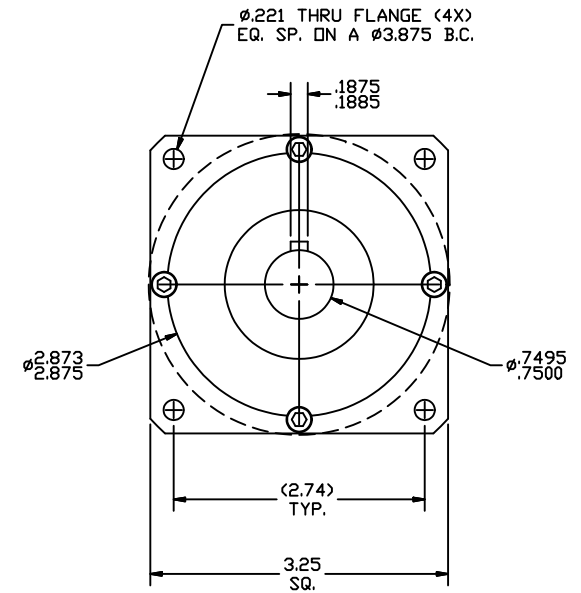
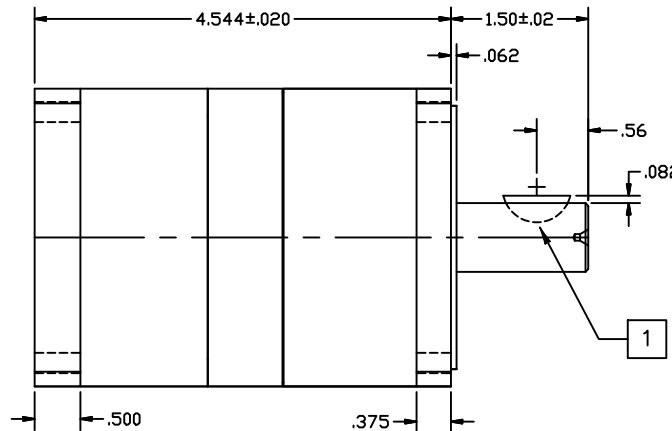
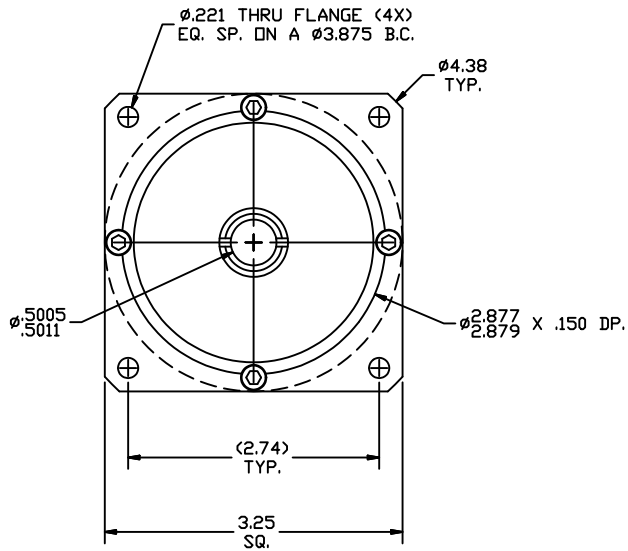


REVISIONS			
REV	DESCRIPTION	DATE	APPROVED
A	INITIAL RELEASE ECO 6709	2/22/13	J Kordik



NOTES: UNLESS OTHERWISE SPECIFIED

- 1 #606 WOODRUFF KEY.
2. 34PN010 RATIO- 10:1
3. FOR TECHNICAL DETAILS, CONTACT APPLIED MOTION PRODUCTS.

TOLERANCES	THIRD ANGLE PROJECTION		APPLIED MOTION PRODUCTS, INC.	
DECIMALS: [MM] INCH X.XXX = ± .005 X.XX = ± [0.13] .010 X.X = ± [0.25] .020 ANGLES: MACH. = ± 5' CHAM. = ± 5'			 OUTLINE, GEAR HEAD, PN34, 1 STAGE	
COMPUTER DATA BASE DRAWING	APPROVALS DRAWN <i>R. JONEZ</i> CHECKED	DATE <i>2/22/13</i>		
	APPROVED		SCALE: FULL	SHEET 1 OF 1