

Feature -

- compact size
- reflow soldering available

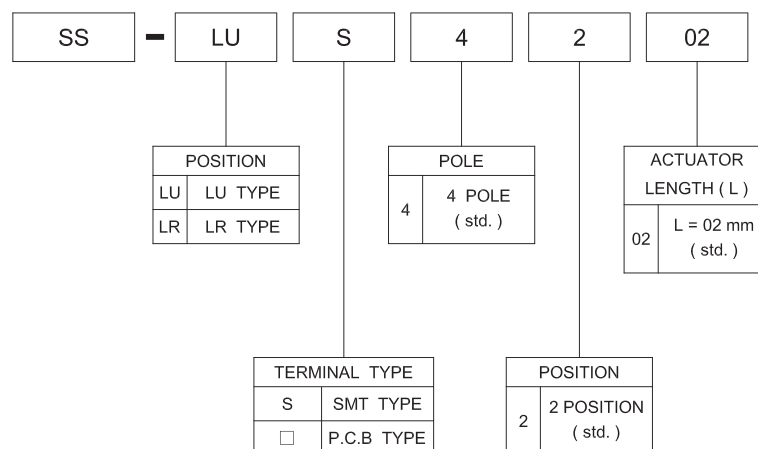
Application -

- consumer products
- computer products
- instrumentation
- communication equipments
- hand-held devices

► SPECIFICATIONS

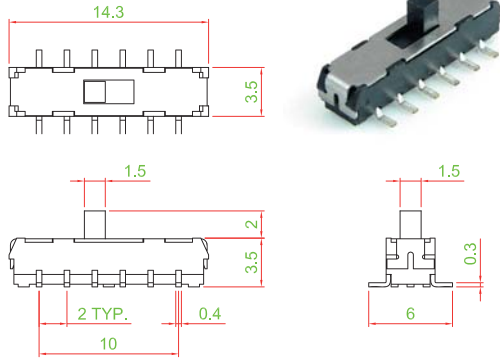
| SWITCH SPECIFICATIONS | |
|-----------------------------|--|
| POLE - POSITION | 4P2T |
| CONTACT RATING | 6 V DC , 0.3 A |
| CONTACT RESISTANCE | 70 mΩ MAX. 5 V DC ; 1 A , by Method of Voltage DROP |
| INSULATION RESISTANCE | 100 MΩ MIN. 500 V DC for 1 minute |
| DIELECTRIC STRENGTH | Breakdown is not Allowable ; 500 V AC for 1 Minute |
| OPERATING FORCE | 200 ± 150 gf |
| OPERATING LIFE | 10,000 cycles |
| OPERATING TEMPERATURE RANGE | -10°C ~ 60°C |
| TOTAL TRAVEL | 2.0 ± 0.3 mm |

► HOW TO ORDER

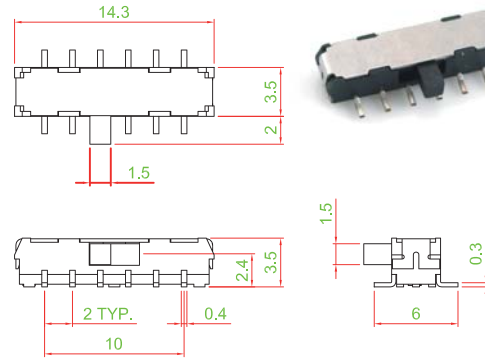


▶ DIMENSION

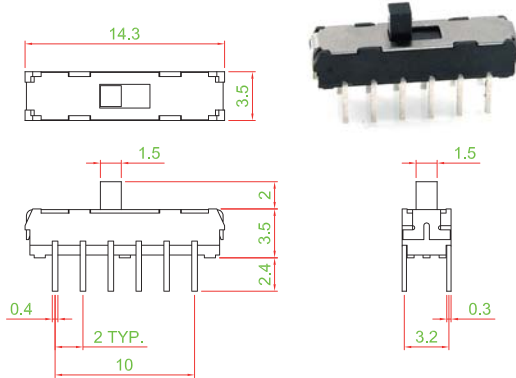
SS-LUS4202



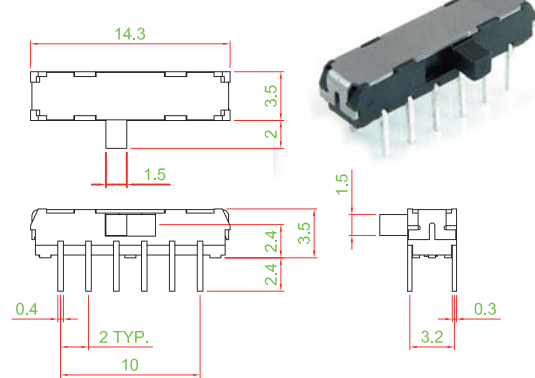
SS-LRS4202



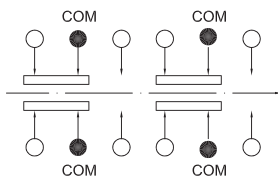
SS-LU4202



SS-LR4202

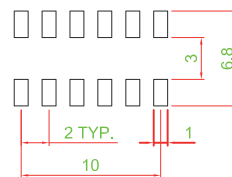


▶ CIRCUIT DIAGRAM

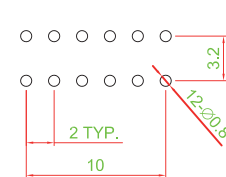


▶ P.C.B LAYOUT

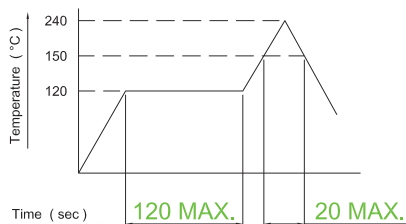
SMT TYPE



P.C.B TYPE



▶ REFLOW SOLDERING



▶ MATERIAL

- COVER : STAINLESS STEEL
- ACTUATOR : PA9T + GF
- BASE FRAME : PA9T + GF
- TERMINAL : SILVER PLATING