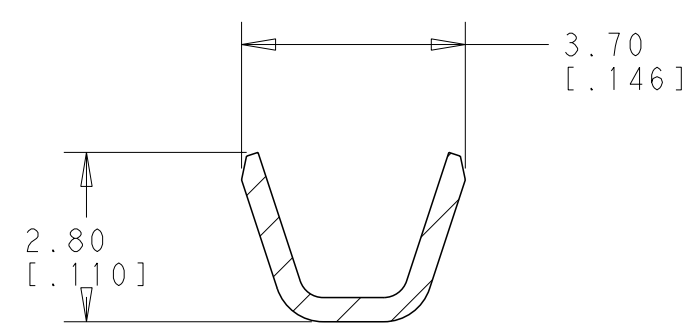
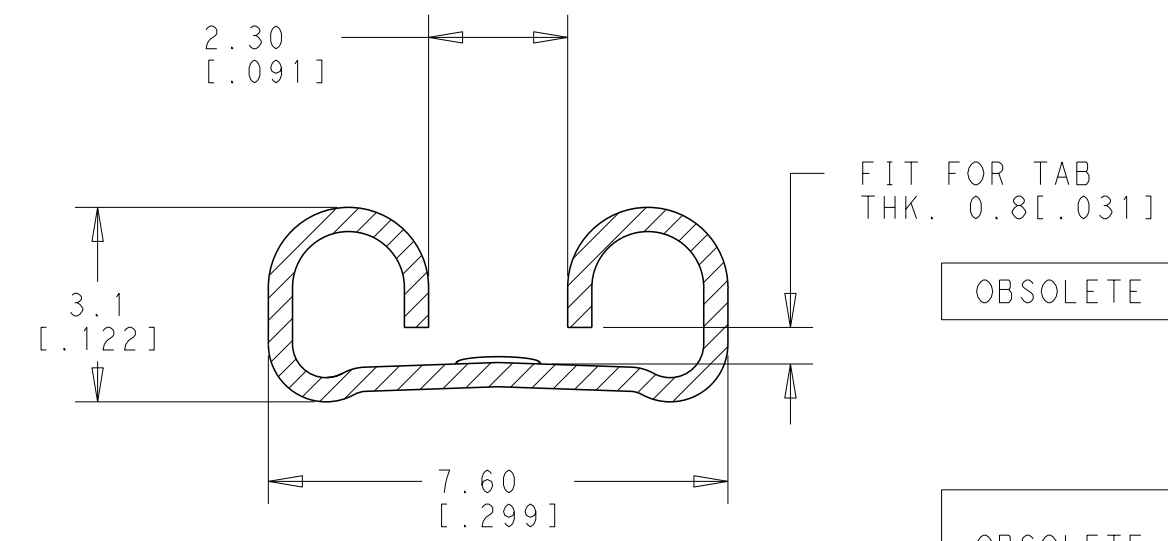
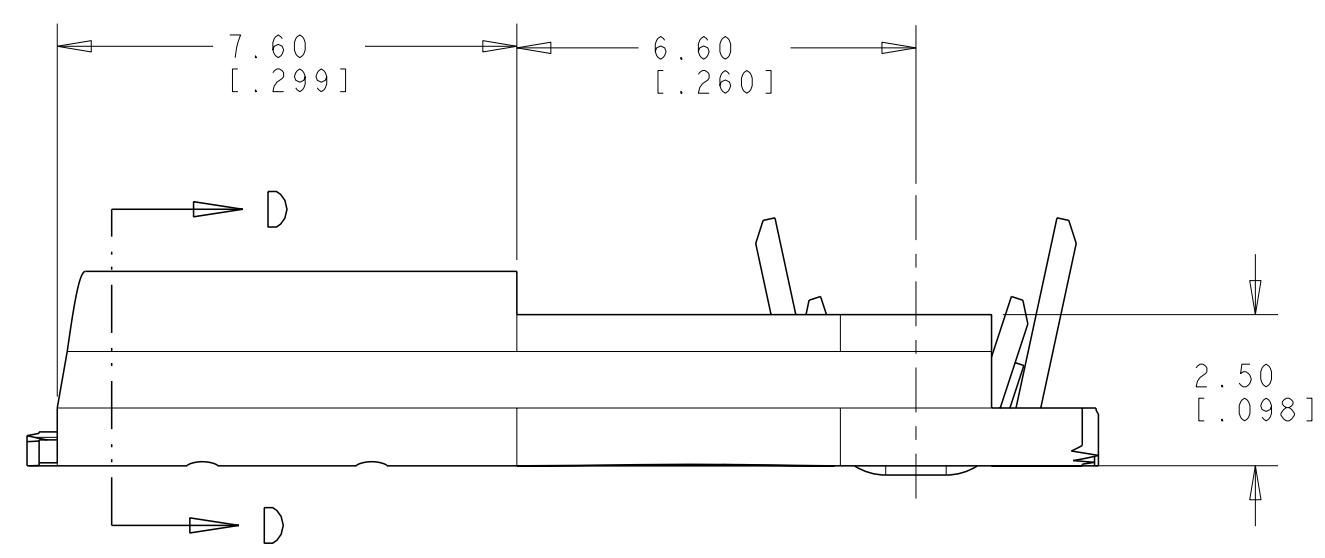
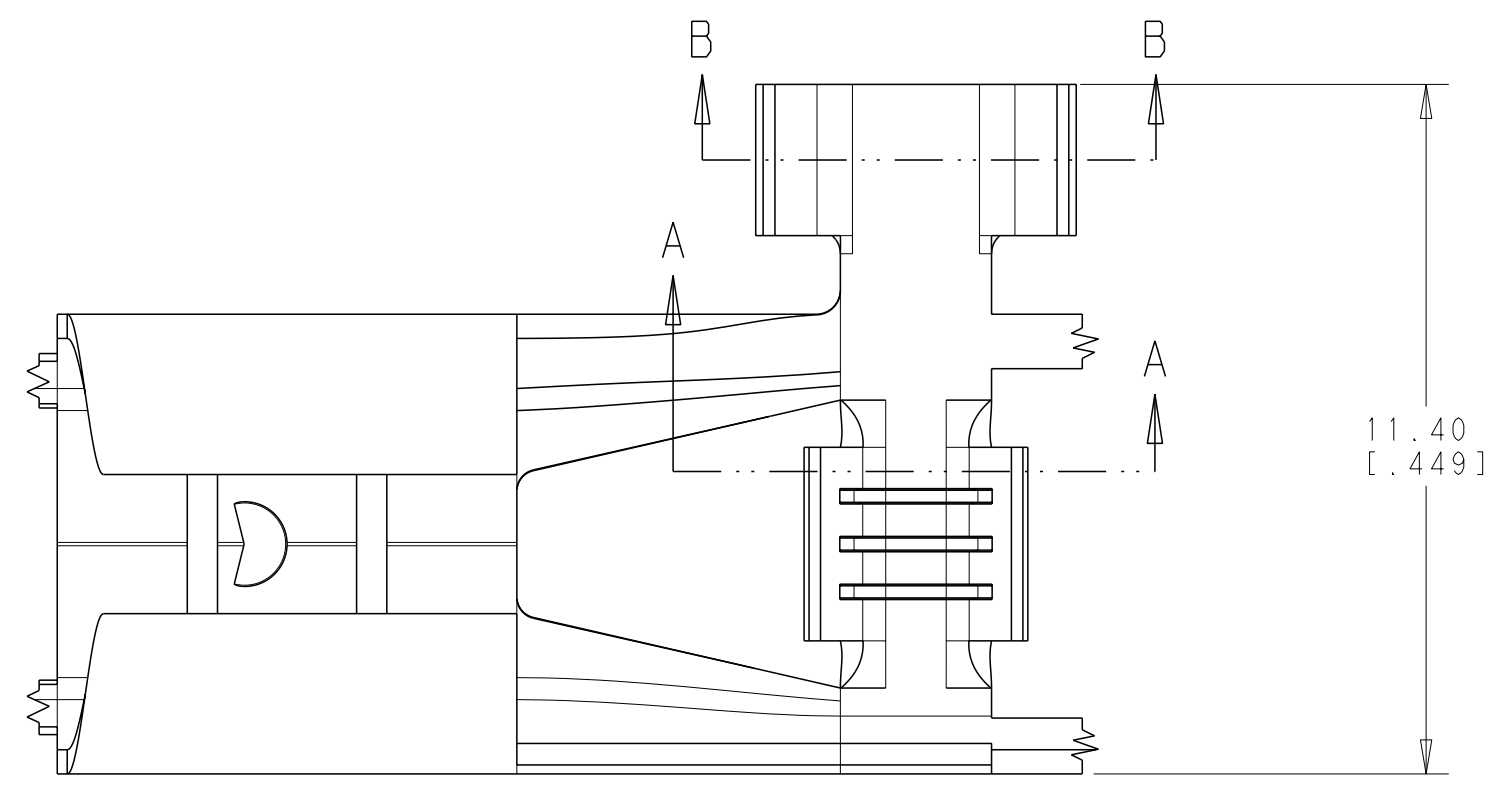
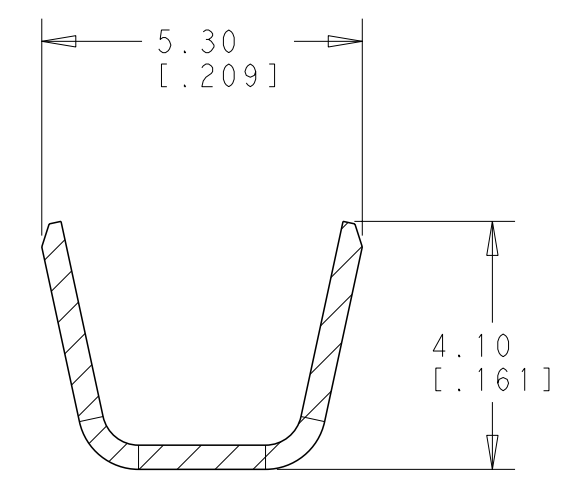


THIS DRAWING IS UNPUBLISHED. RELEASED FOR PUBLICATION 20
 © COPYRIGHT 20 BY - ALL RIGHTS RESERVED.

| REVISIONS | | | | |
|-----------|-----|---------------------------|-----------|----------|
| P | LTR | DESCRIPTION | DATE | DWN APVD |
| | BE | REVISED PER ECR-15-005258 | 02APR2015 | NK DC |
| | BE1 | REVISED PER ECR-17-007358 | 26MAY2017 | RS FV |



SECTION A-A
SCALE 8:1



SECTION B-B
SCALE 8:1

- 1 NON DISPONIBILE DALL' AMP ITALIA (NOT AVAILABLE FROM AMP ITALY)
- 2 ADATTO PER AMP-O-MATOR (REVERSE REELED FOR MINI APPLICATOR)
- 3 BOBINA IN CARTONE CON CARTA INTERPOSTA QUANTITA' PER BOBINA: 3000 (CARTON REEL WITH INTERPOSED PAPER STRIP Q.TY PER REEL: 3000)
- 4 CON SPECIALE RIVESTIMENTO IN CARTA (WITH SPECIAL PAPER COVER)
- 5 BOBINA IN CARTONE CON CARTA INTERPOSTA QUANTITA' PER BOBINA: 2500 (CARTON REEL WITH INTERPOSED PAPER STRIP Q.TY PER REEL: 2500)
- 6 OBSOLETE
- 7 BOBINA IN CARTONE QUANTITA' PER BOBINA: 7000 (CARTON REEL Q.TY PER REEL: 7000)
- 8 OBSOLETE PARTS: OBSOLETE CIS STREAMLINING PER D.RENAUD/D.SINISI

| | | | | |
|--------------------------|---------|-------------------------|----------------------|--------------|
| OBSOLETE | 2 1 7 6 | ST. (TIN PLTD) | BR. F. (PH. BR.) | 4-280050-7 |
| | 2 1 7 | - (UNPLTD) | BR. F. (PH. BR.) | 4-280050-4 |
| | 2 1 7 | ST. (TIN PLTD) | OTTONE (BRASS) | 4-280050-2 |
| | 2 1 7 | - (UNPLTD) | OTTONE (BRASS) | 4-280050-1 |
| | 2 4 | - (UNPLTD) | BR. F. (PH. BR.) | 2-280050-4 |
| OBSOLETE | 2 1 3 | NICKELATO (NICKEL PLTD) | ACCIAIO (STEEL) | 2-280050-3 |
| SUPERCEDED BY 1-280050-2 | 2 1 4 6 | ST. (TIN PLTD) | OTTONE (BRASS) | 2-280050-2 |
| | 2 1 4 3 | - (UNPLTD) | OTTONE (BRASS) | 2-280050-1 |
| | 2 1 | NICKELATO (NICKEL PLTD) | ACCIAIO (STEEL) | 1-280050-3 |
| | 2 5 | ST. (TIN PLTD) | OTTONE (BRASS) | 1-280050-2 |
| | 2 1 | ST. (TIN PLTD) | BR. F. (PH. BR.) | 280050-7 |
| | 2 1 | - (UNPLTD) | BR. F. (PH. BR.) | 280050-4 |
| | 2 1 | NICKELATO (NICKEL PLTD) | ACCIAIO (STEEL) | 280050-3 |
| | 2 | ST. (TIN PLTD) | OTTONE (BRASS) | 280050-2 |
| | 2 1 | - (UNPLTD) | OTTONE (BRASS) | 280050-1 |
| | - | ST. (TIN PLTD) | BR. F. (PH. BR.) | 180388-5 |
| | - | ST. (TIN PLTD) | OTTONE (BRASS) | 180388-2 |
| | - | - (UNPLTD) | OTTONE (BRASS) | 180388-1 |
| NOTE | | FINITURA (FINISH) | MATERIALE (MATERIAL) | (NUMERO) P/N |

| | | |
|----------------------------------------|----------------------------------------|--------------------------------------|
| (INS. DIA. RANGE) 2.3-3.3 | (WIRE RANGE) 0.5-1.5 | DWN RAVLS 26MAY2017 |
| THIS DRAWING IS A CONTROLLED DOCUMENT. | | CHK VIRDIA FEDERICO 26MAY2017 |
| DIMENSIONS: mm | TOLERANCES UNLESS OTHERWISE SPECIFIED: | APVD VIRDIA FEDERICO 26MAY2017 |
| 0 PLC ± | ±0.3 | PRODUCT SPEC |
| 1 PLC ± | | APPLICATION SPEC |
| 2 PLC ± | | WEIGHT |
| 3 PLC ± | | CUSTOMER DRAWING |
| 4 PLC ± | | SCALE 5:1 |
| ANGLES ±2° | | SHEET 1 OF 1 |
| FINISH SEE TABLE | SEE TABLE | REV BE1 |

STE TE Connectivity

NAME: FASTON CONNECTOR .250 sr. FLAG REC. CONTACT

SIZE: A2 CAGE CODE: 00779 DRAWING NO: C-180388

RESTRICTED TO: -