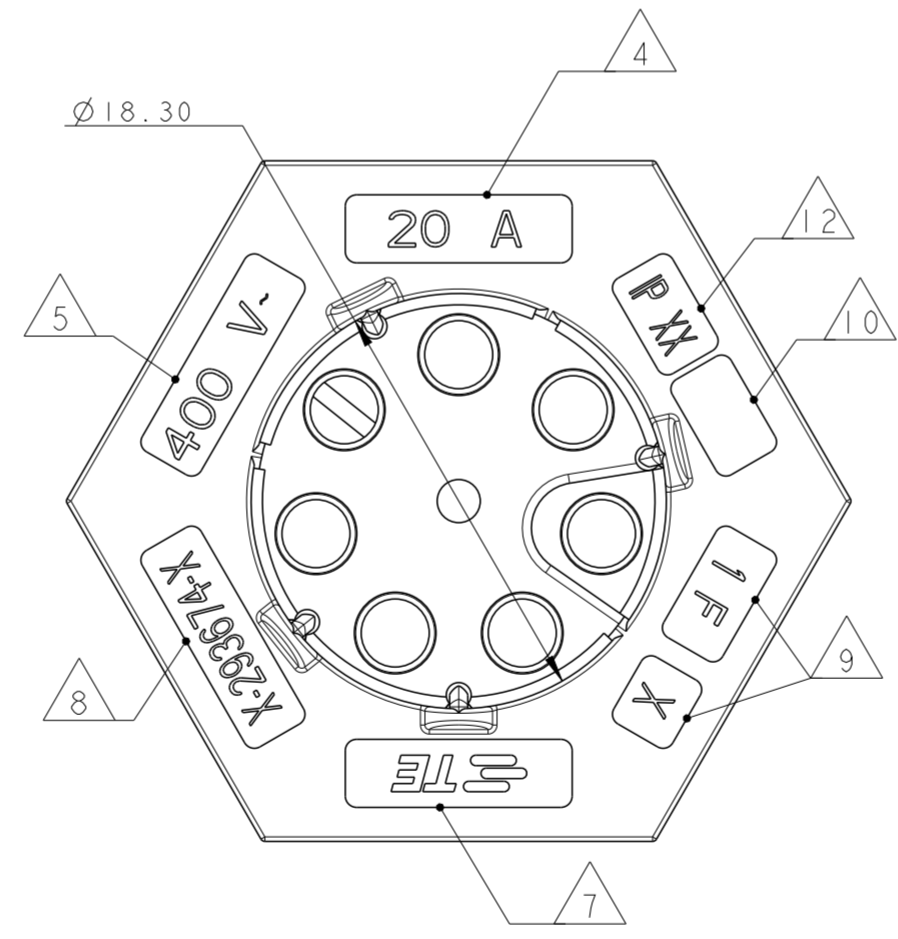
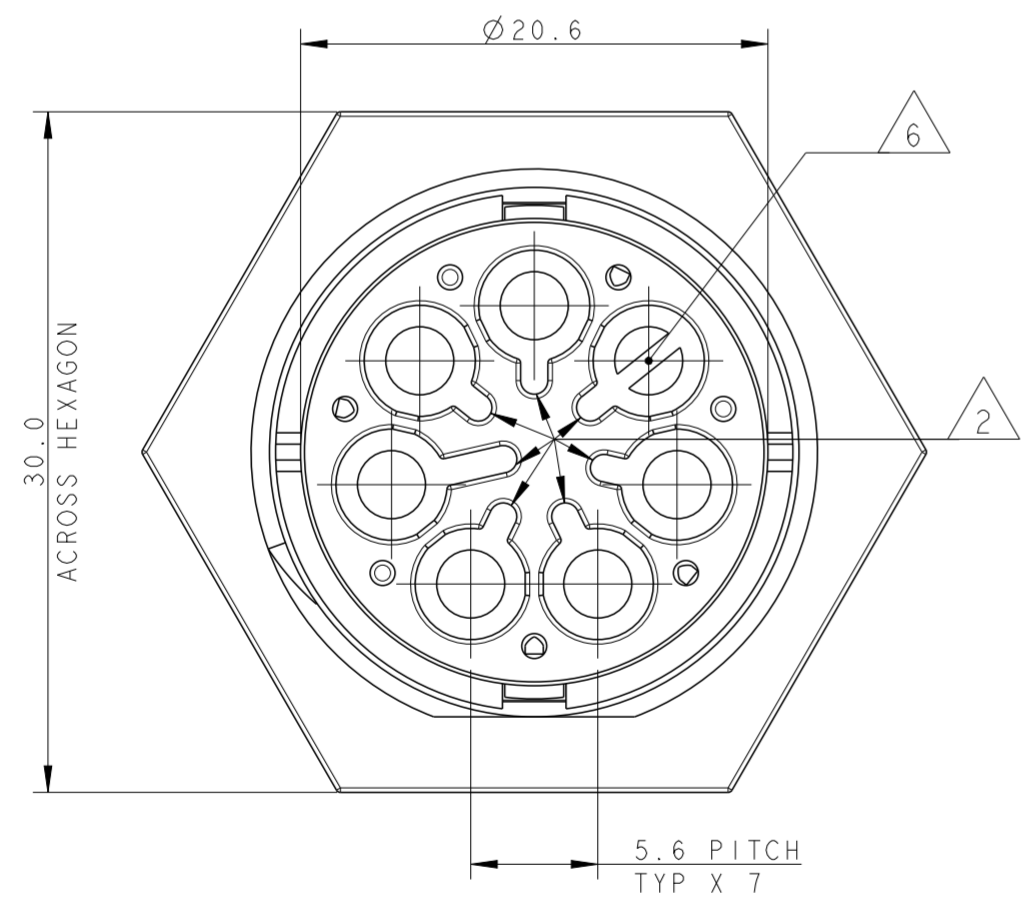
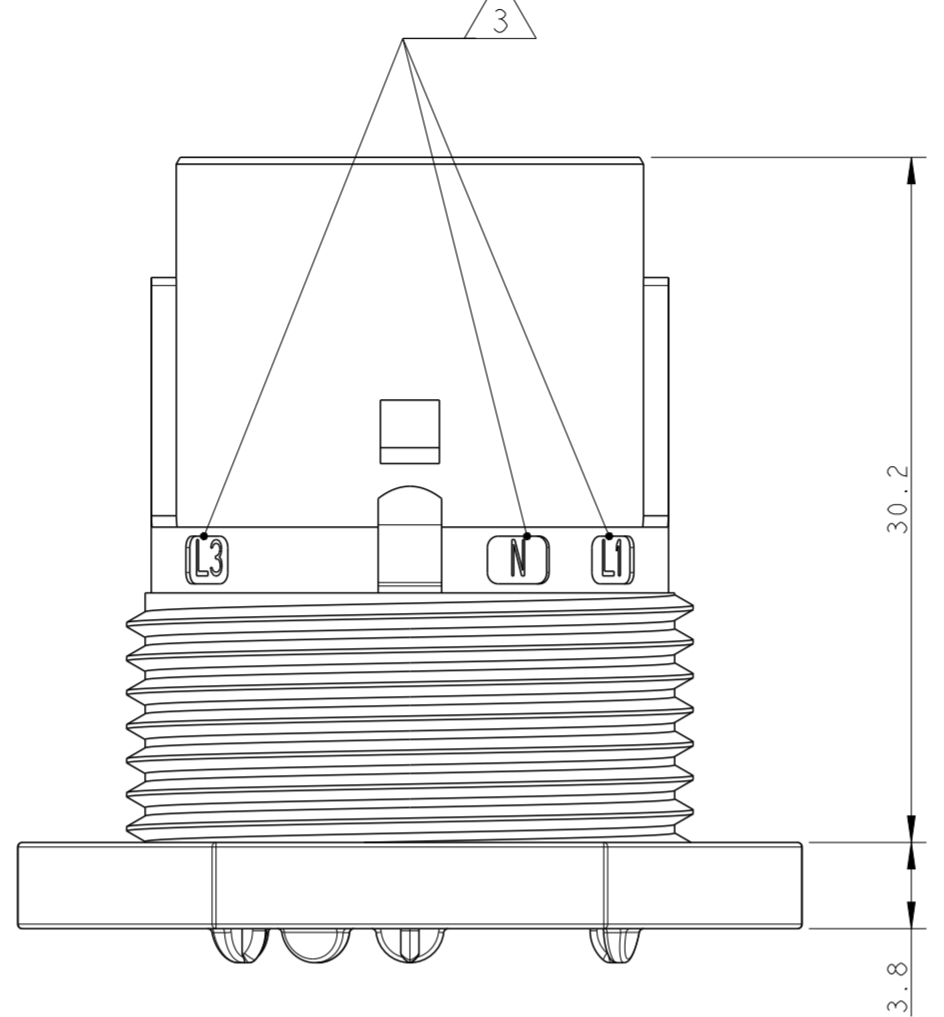
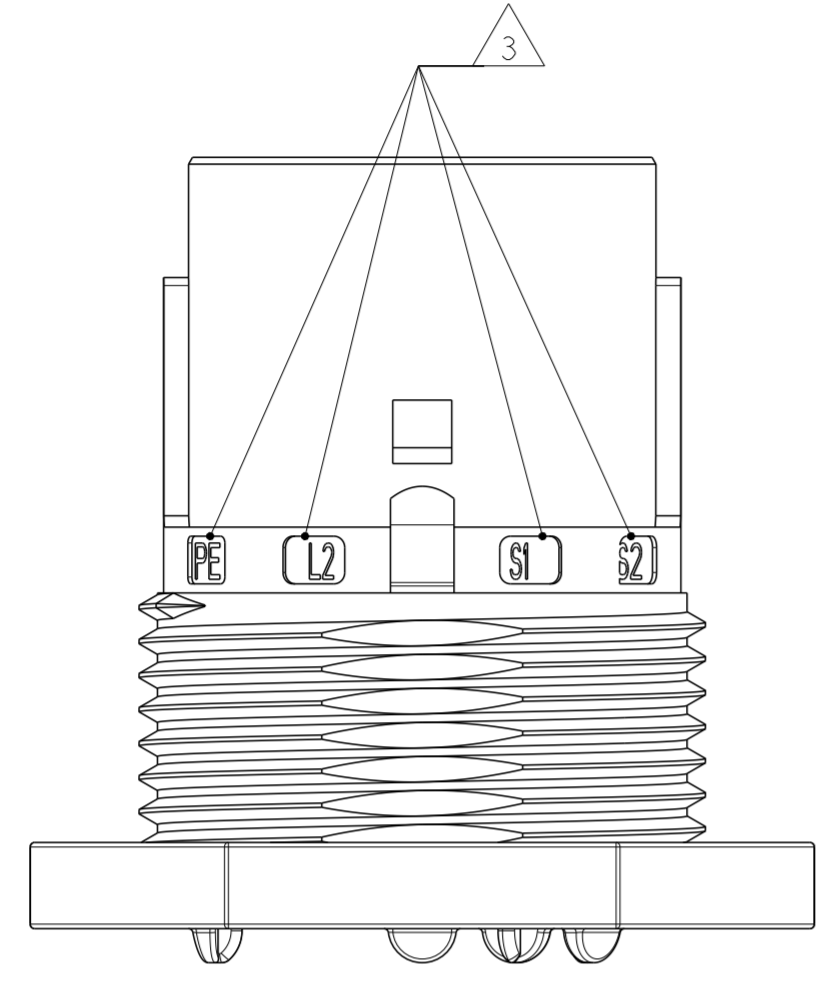


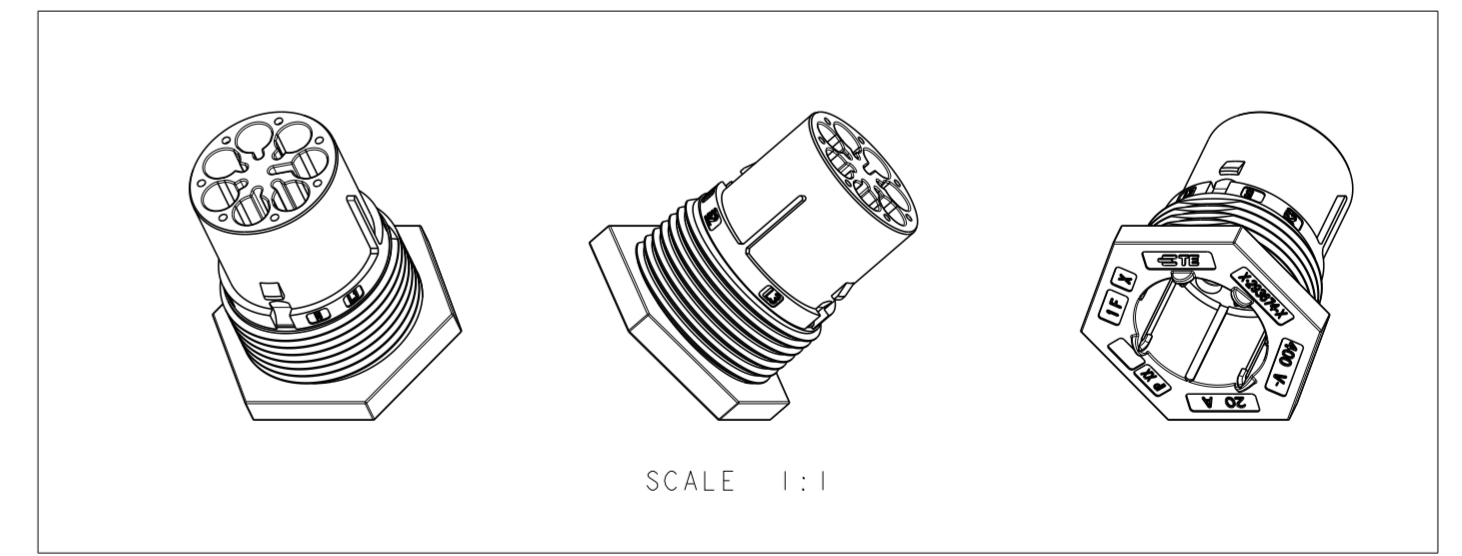
THIS DRAWING IS UNPUBLISHED. RELEASED FOR PUBLICATION 2011
 © COPYRIGHT 2011 BY - ALL RIGHTS RESERVED.

| LOC | | DIST | | REVISIONS | | | |
|-----|-----|-------------------------------|--|-----------|-----|------|--|
| P | LTR | DESCRIPTION | | DATE | DWN | APVD | |
| | 6 | UPDATED | | 23JUL2012 | MZ | JC | |
| | 7 | REVISED LATCH SHAPE | | 02AUG2013 | KR | JC | |
| | A | PARTS RELEASED FOR PRODUCTION | | 13NOV2013 | KR | JC | |



NOTES:

- 1 MATERIAL: PA GF (NATURAL AND BLACK COLOUR)
- 2 ALL POLARIZATION KEYS SHOWN FOR REF ONLY
- 3 WAYS I.D.
- 4 CURRENT RATING
- 5 VOLTAGE RATING
- 6 RIB CLOSING CAVITIES BY CHANGE OVER
- 7 TE LOGO
- 8 TE PART NUMBER
- 9 DATA CODE AND CAVITY I.D.
- 10 AREA FOR AGENCIES APPROVAL LOGO
- 11) SEE C-DRAWING 293682 (LOCKING CAP) TO GET IP 40
- 12 IP CODE



| | | | | | |
|--|--|--|-----------------------|--|-----------------|
| THIS DRAWING IS A CONTROLLED DOCUMENT. | | DWN | 31MAR2011 | | TE Connectivity |
| | | CHK | A. BERNARDI 31MAR2011 | | |
| | | APVD | M. ZUCCA 31MAR2011 | | |
| | | APVD | G. TURCO 31MAR2011 | | |
| DIMENSIONS: mm | | TOLERANCES UNLESS OTHERWISE SPECIFIED: | | NAME | |
| 0 PLC ± 1 PLC ±0.3 2 PLC ±0.20 3 PLC ± 4 PLC ± ANGLES ±3° FINISH | | PRODUCT SPEC 108-20324 APPLICATION SPEC 114-20169 WEIGHT - | | PIN HOUSING 6 POLES PANEL MOUNT M-LINE NECTOR | |
| MATERIAL - | | Customer Drawing | | SIZE | RESTRICTED TO |
| | | | | A20779 | - |
| | | | | C-293674 | - |
| | | | | SCALE 3:1 | SHEET 1 OF 3 |
| | | | | | REV A |

THIS DRAWING IS UNPUBLISHED. RELEASED FOR PUBLICATION 2011
 © COPYRIGHT 2011 BY - ALL RIGHTS RESERVED.

| LOC | | DIST | | REVISIONS | | | |
|-----|-----|-------------|------|-----------|------|--|--|
| P | LTR | DESCRIPTION | DATE | DWN | APVD | | |
| - | - | SEE SHEET 1 | - | - | - | | |
| | | | | | | | |
| | | | | | | | |

| POLARIZATION TYPES | | |
|----------------------------------|----------------------------------|----------------------------------|
| POLARIZATION TYPE "A" | POLARIZATION TYPE "B" | POLARIZATION TYPE "C" |
| | | |
| PNs 0-293674-3 AND 1-293674-3 | PNs 0-293674-4 AND 1-293674-4 | PNs 0-293674-5 AND 1-293674-5 |

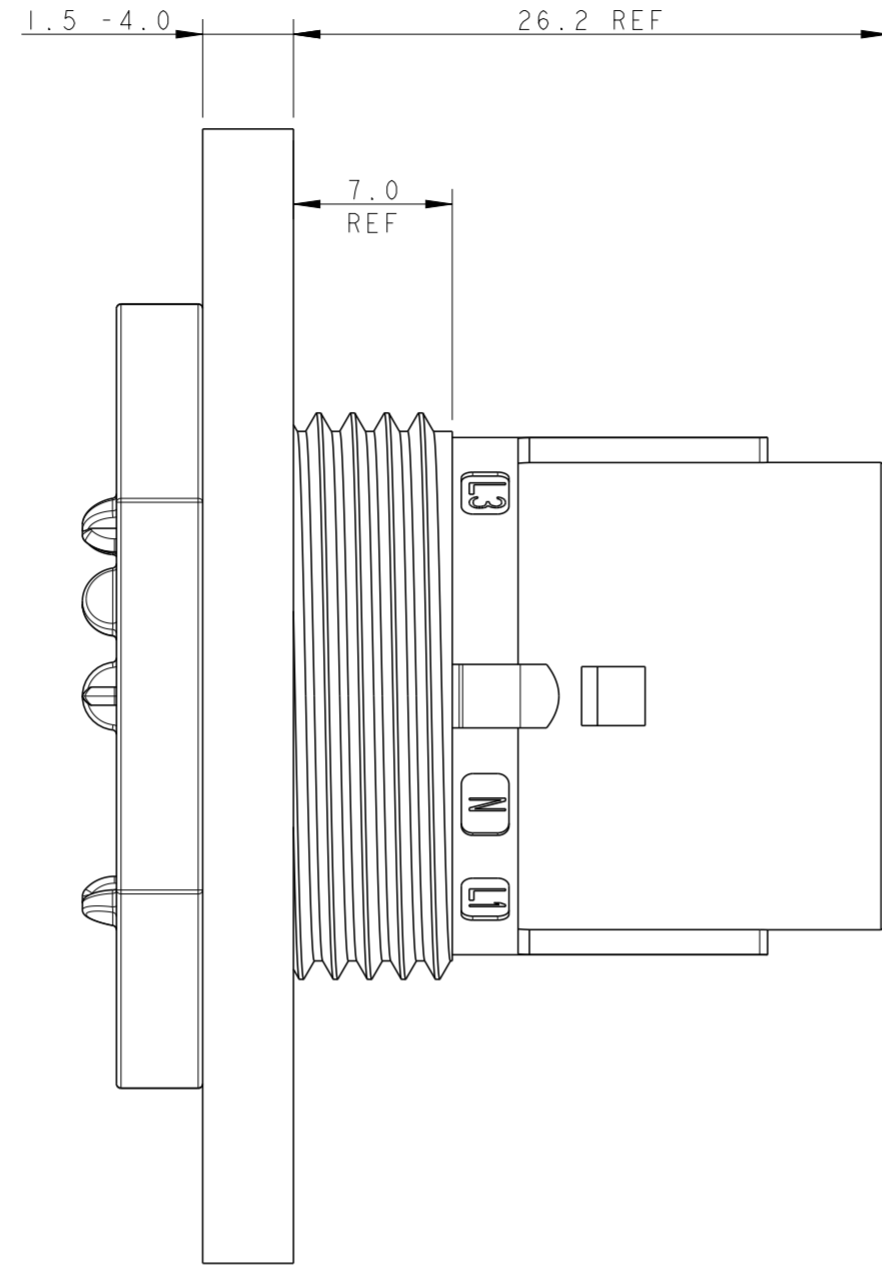
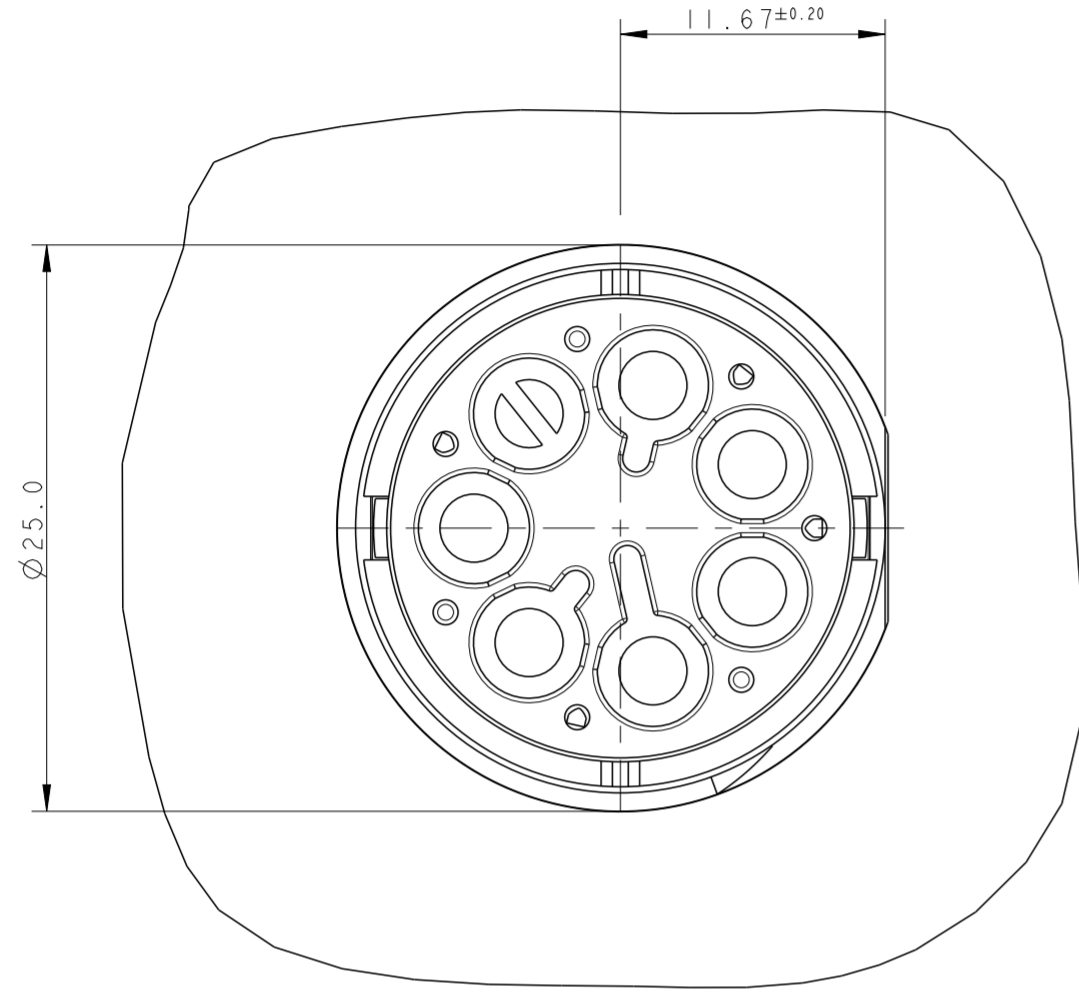
| NOTE | POL. KEYING | COLOUR | DESCRIPTION | REV. | P/N |
|------|-------------|---------|--|------|------------|
| △ | E | BLACK | PIN HSG 6 POLES PANEL MOUNT NECTOR* M-LINE | A | 1-293674-5 |
| △ | D | BLACK | PIN HSG 6 POLES PANEL MOUNT NECTOR* M-LINE | A | 1-293674-4 |
| △ | C | BLACK | PIN HSG 6 POLES PANEL MOUNT NECTOR* M-LINE | A | 1-293674-3 |
| △ | E | NATURAL | PIN HSG 6 POLES PANEL MOUNT NECTOR* M-LINE | A | 0-293674-5 |
| △ | D | NATURAL | PIN HSG 6 POLES PANEL MOUNT NECTOR* M-LINE | A | 0-293674-4 |
| △ | C | NATURAL | PIN HSG 6 POLES PANEL MOUNT NECTOR* M-LINE | A | 0-293674-3 |

| | | | | |
|--|--|---------------------------------|--|------------------------|
| THIS DRAWING IS A CONTROLLED DOCUMENT. | | DWN A. BERNARDI 31MAR2011 | TE Connectivity | |
| DIMENSIONS: mm | | CHK M. ZUCCA 31MAR2011 | | |
| TOLERANCES UNLESS OTHERWISE SPECIFIED: | | APVD G. TURCO 31MAR2011 | NAME PIN HOUSING 6 POLES PANEL MOUNT M-LINE NECTOR | |
| 0 PLC ± 1 PLC ±0.3 2 PLC ±0.20 3 PLC ± 4 PLC ± ANGLES ±3° FINISH | | PRODUCT SPEC 108-20324 | RESTRICTED TO | |
| MATERIAL | | APPLICATION SPEC 114-20169 | SIZE A200779 | DRAWING NO C-293674 |
| - | | WEIGHT - | SCALE 3:1 | SHEET 2 OF 3 |
| - | | Customer Drawing | REV A | |

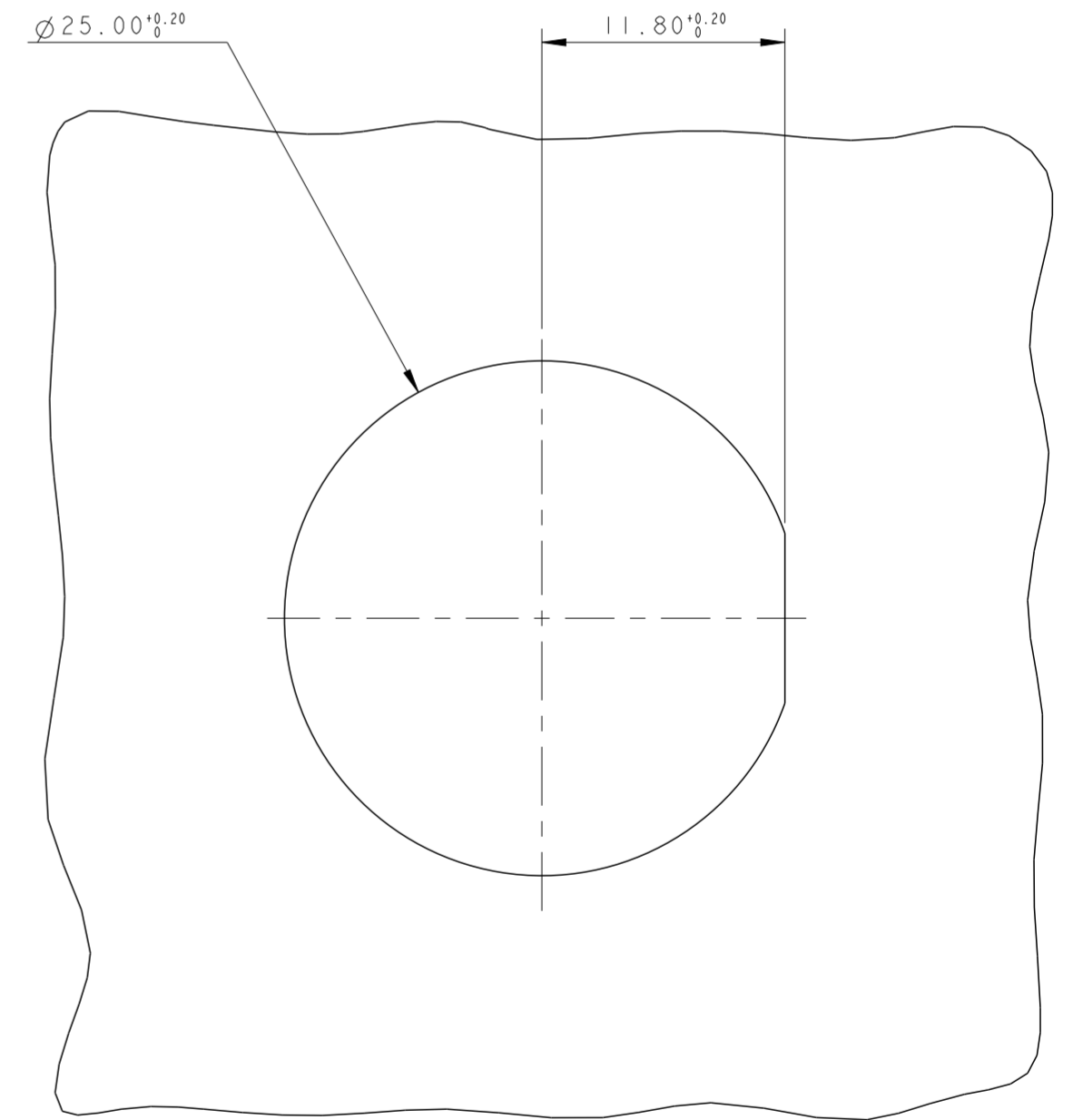
THIS DRAWING IS UNPUBLISHED. RELEASED FOR PUBLICATION 2011
 © COPYRIGHT 2011 BY - ALL RIGHTS RESERVED.

| LOC | | DIST | | REVISIONS | | | |
|-----|-----|-------------|------|-----------|------|--|--|
| P | LTR | DESCRIPTION | DATE | DWN | APVD | | |
| - | - | SEE SHEET 1 | - | - | - | | |
| | | | | | | | |
| | | | | | | | |

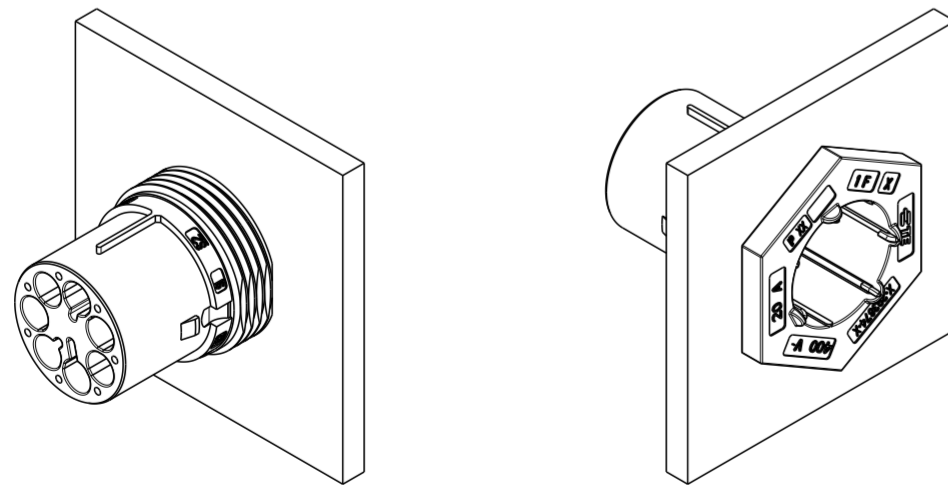
PN 293674-3 AS SHOWN




PANEL/WALL SUGGESTED LAYOUT



3D VIEWS
FOR REFERENCE ONLY
PN 293674-3 AS SHOWN



SCALE 1:1

| | | | | |
|--|--|---------------------------------|---|-----------------------|
| THIS DRAWING IS A CONTROLLED DOCUMENT. | | DWN A. BERNARDI 31MAR2011 |  TE Connectivity | |
| DIMENSIONS: mm | | CHK M. ZUCCA 31MAR2011 | | |
| TOLERANCES UNLESS OTHERWISE SPECIFIED: | | APVD G. TURCO 31MAR2011 | NAME PIN HOUSING 6 POLES PANEL MOUNT M-LINE NECTOR | |
| 0 PLC ± 1 PLC ±0.3 2 PLC ±0.20 3 PLC ± 4 PLC ± | | PRODUCT SPEC 108-20324 | RESTRICTED TO | |
| ANGLES ±3° | | APPLICATION SPEC 114-20169 | SIZE A200779 | CAGE CODE C-293674 |
| FINISH | | WEIGHT - | SCALE 3:1 | SHEET 3 OF 3 |
| MATERIAL - | | Customer Drawing | REV A | |