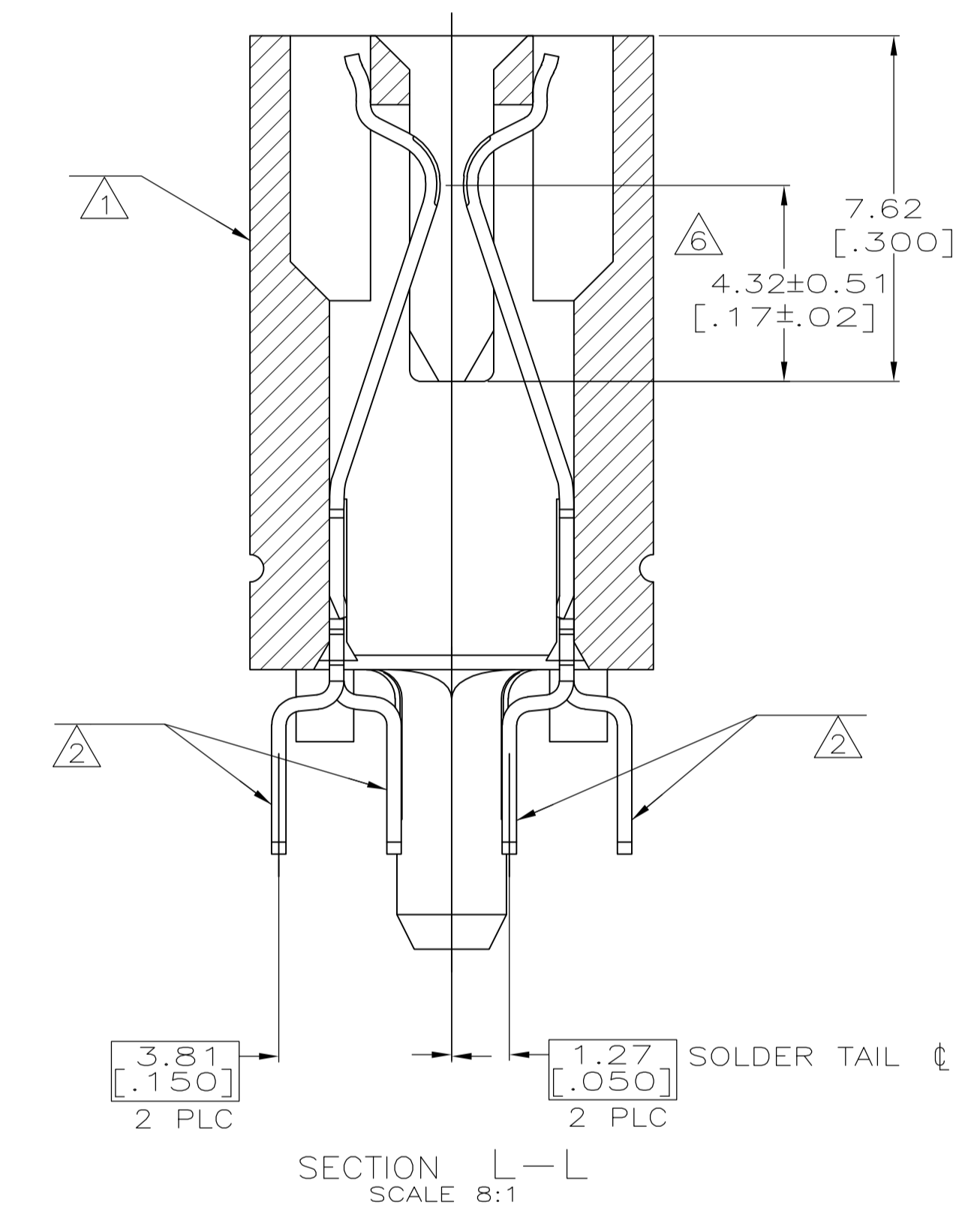
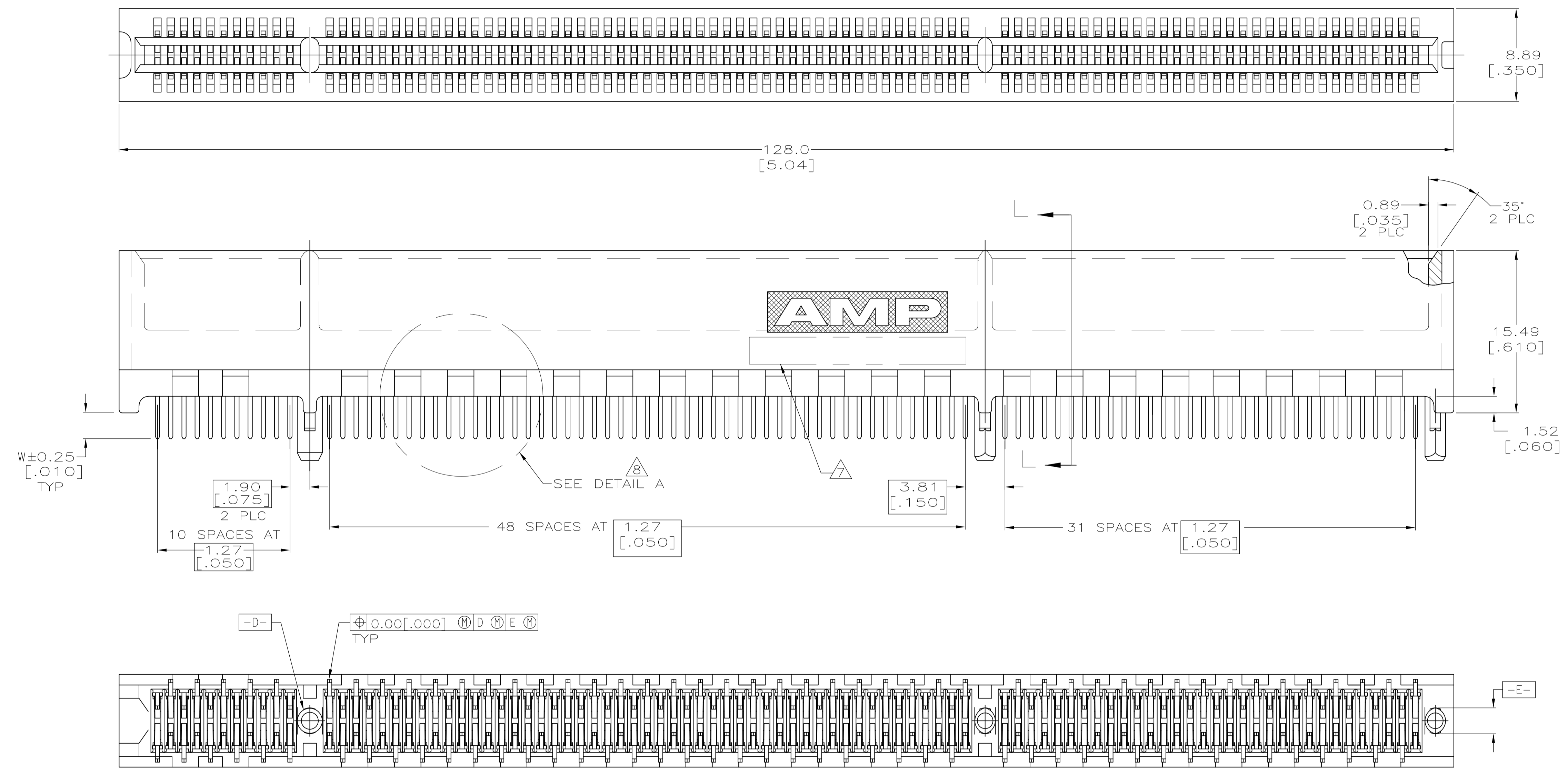
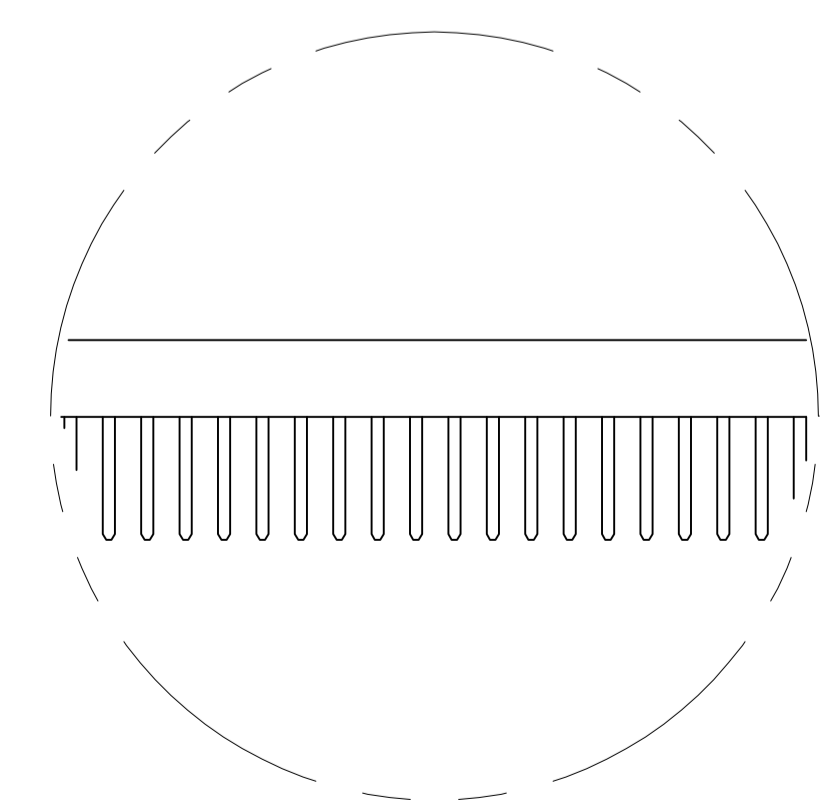


SEE SHEET 2 FOR NOTES



SEE SHEET 2 FOR HOLE PATTERN



3.56 [.140]	△	1-5145165-2
3.17 [.125]	△	5145165-8
2.54 [.100]	△	5145165-4
2.54 [.100]	△	5145165-2
2.54 [.100]	△	5145165-1
W	FINISH	PART NUMBER

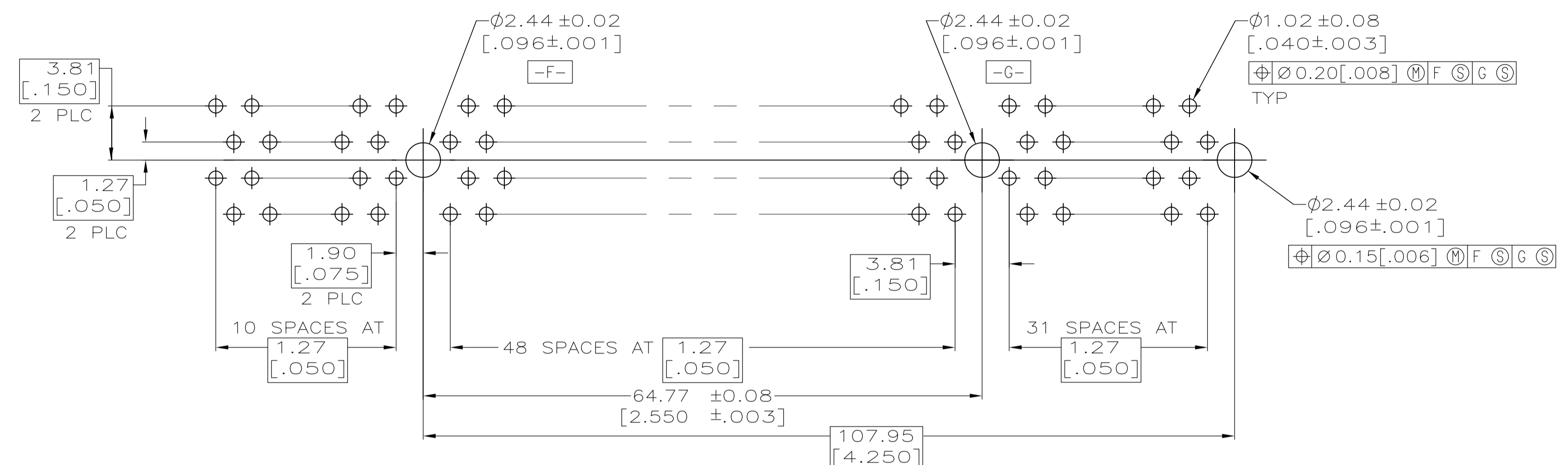
THIS DRAWING IS A CONTROLLED DOCUMENT.

DIMENSIONS: mm	TOLERANCES UNLESS OTHERWISE SPECIFIED:	0 PLC ± -	1 PLC ± -	2 PLC ± 0.25 [.01]	3 PLC ± 0.13 [.005]	4 PLC ± -	ANGLES ± ± °
MATERIAL		FINISH		DIN AL FRANTUM 04 FEB 05		CIR AL FRANTUM 04 FEB 05	
1/2		3/4/5		PRODUCT SPEC 108-14034		APPLICATION SPEC 114-26012	
CUSTOMER DRAWING		SCALE 4:1		SHEET 1 OF 2		REV C1	

STE TE Connectivity

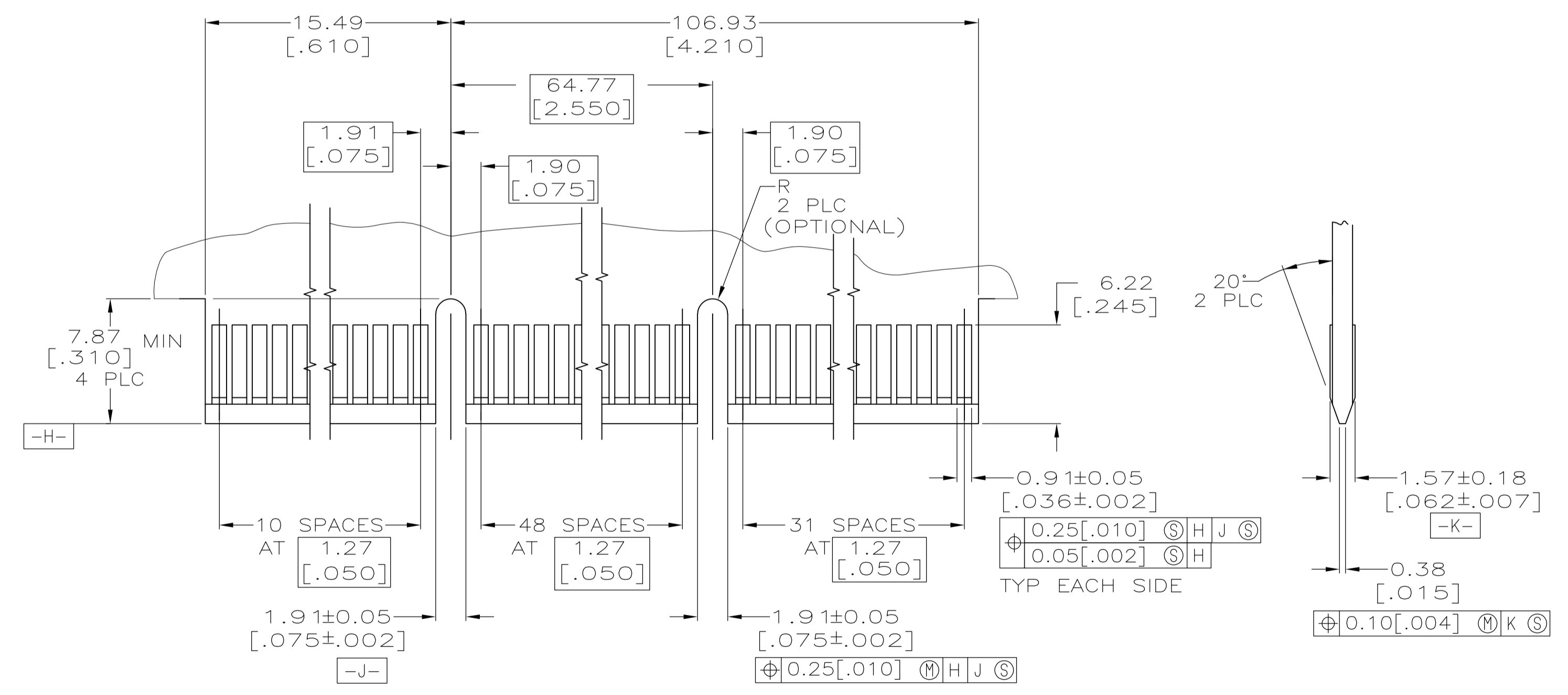
CONNECTOR ASSEMBLY, 92 DUAL POSITION, .050 SERIES, STANDARD EDGE

SIZE: A1, CAGE CODE: 00779, DRAWING NO: 5145165



RECOMMENDED CONNECTOR MOUNTING HOLE PATTERN
(CONNECTOR SIDE SHOWN)

- 1 HOUSING: HIGH TEMPERATURE THERMOPLASTIC. COLOR - NATURAL
- 2 CONTACT: PHOSPHOR BRONZE.
- 3 CONTACT FINISH: 0.00127[.000050] MIN NICKEL ALL OVER. GOLD FLASH OVER NICKEL IN CONTACT AREA. 0.00254[.000100] MIN MATTE TIN OVER NICKEL ON SOLDER TAILS.
- 4 CONTACT FINISH: 0.00127[.000050] MIN NICKEL ALL OVER. 0.00038[.000015] GOLD OVER NICKEL IN CONTACT AREA. 0.00254[.000100] MIN MATTE TIN OVER NICKEL ON SOLDER TAILS.
- 5 CONTACT FINISH: 0.00127[.000050] MIN NICKEL ALL OVER. 0.00076[.000030] GOLD OVER NICKEL IN CONTACT AREA. 0.00254[.000100] MIN MATTE TIN OVER NICKEL ON SOLDER TAILS.
- 6 DISTANCE FROM CONTACT POINT TO BOTTOM OF CARD SLOT.
- 7 AMP PART NUMBER, DATE CODE AND CSA LOGO MARKED IN APPROXIMATE LOCATION SHOWN.
- 8 CORED OR SOLID SIDE WALLS ARE AT DISCRETION OF AMP INCORPORATED.



RECOMMENDED MATING BOARD EDGE CONFIGURATION

THIS DRAWING IS A CONTROLLED DOCUMENT.		DIN AL FRANTUM 04 FEB 05		TE Connectivity	
DIMENSIONS: mm		TOLERANCES UNLESS OTHERWISE SPECIFIED:			
		0 PLC ± -	1 PLC ± -	PRODUCT SPEC 108-14034	
		2 PLC ± 0.25 [.01]	3 PLC ± 0.13 [.005]	APPLICATION SPEC 114-26012	
MATERIAL		FINISH		SIZE CAGE CODE DRAWING NO A1 00779 C=5145165	
				WEIGHT CUSTOMER DRAWING	
				RESTRICTED TO SCALE 4:1 SHEET 2 OF 2 REV C1	