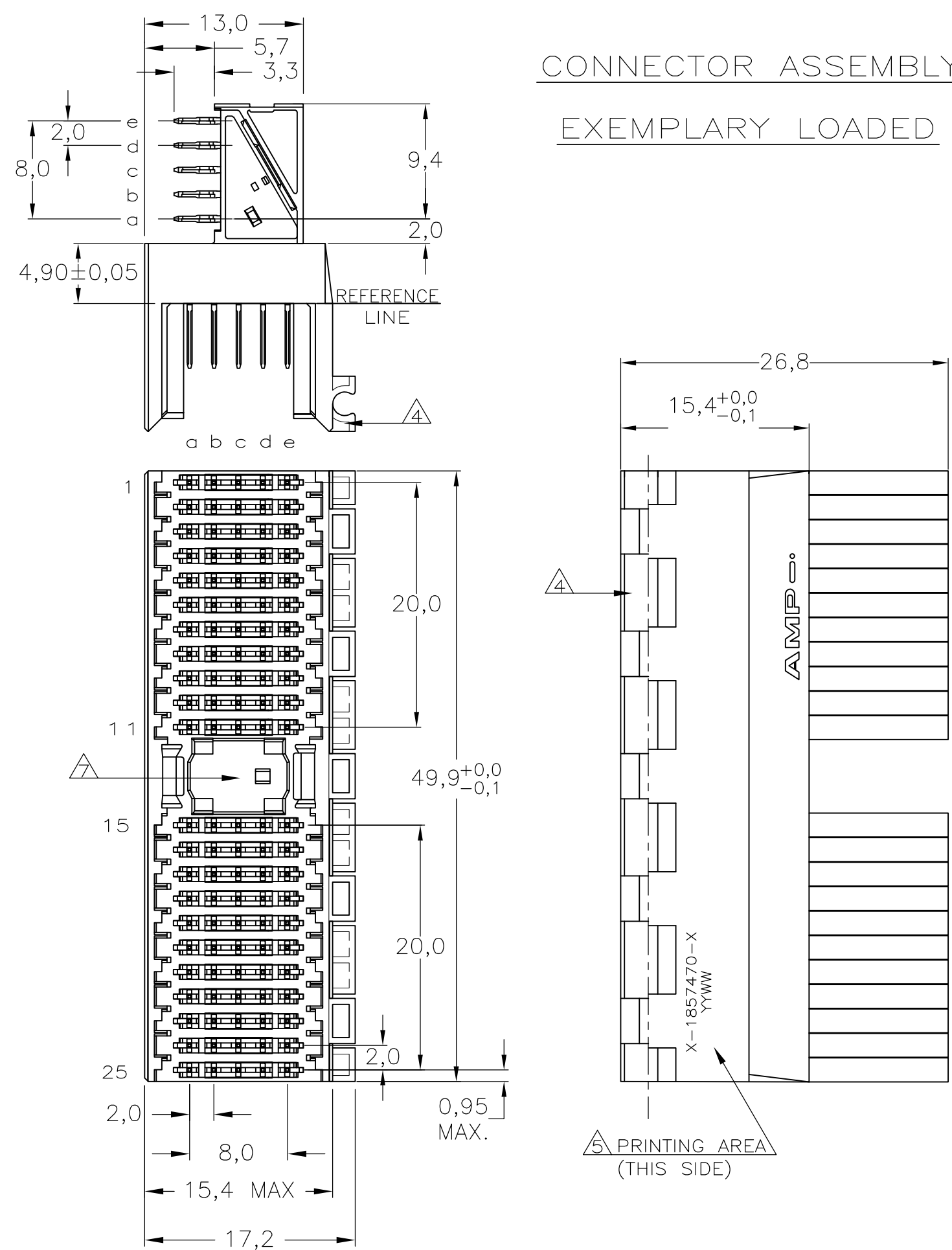
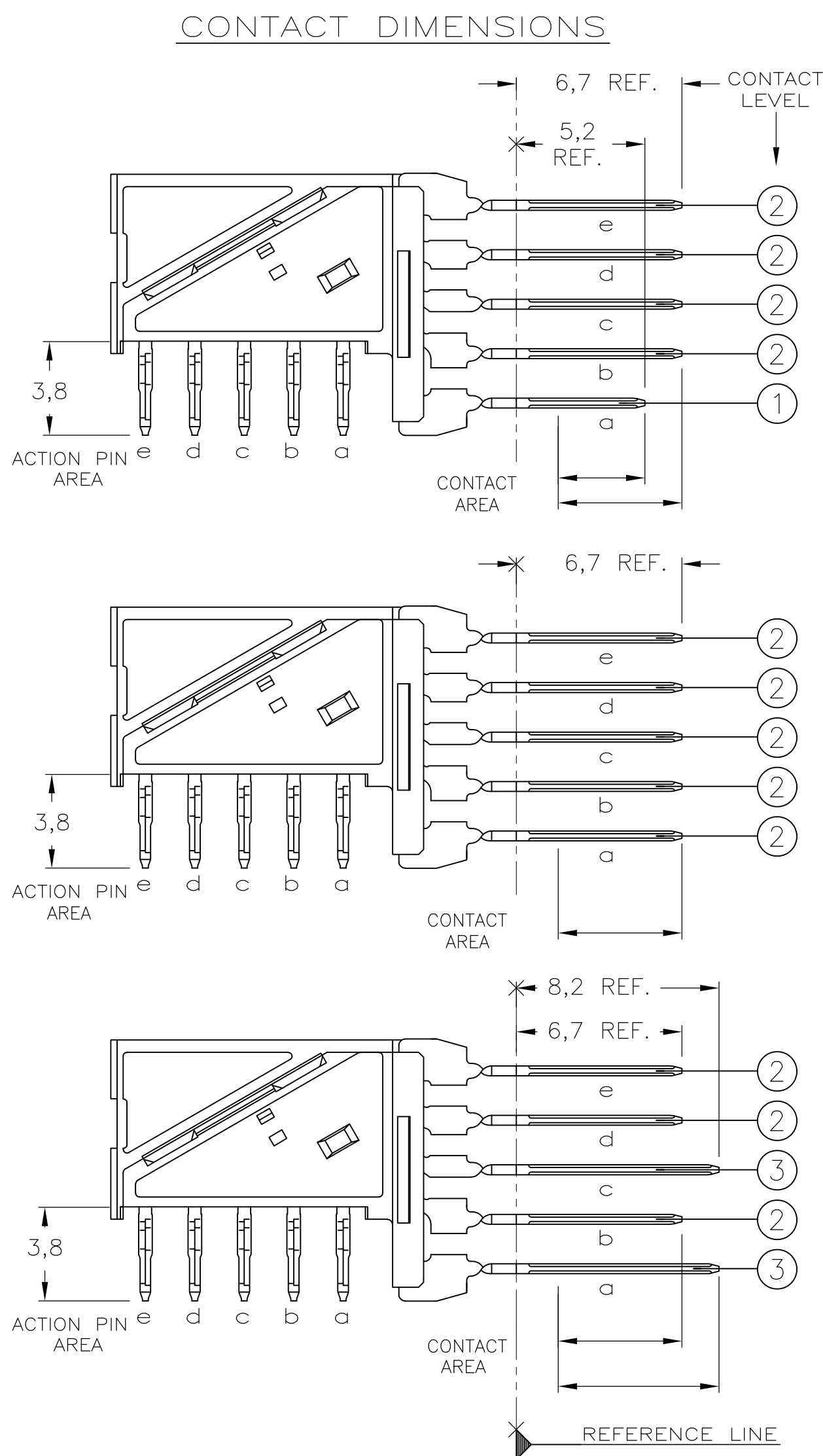


THIS DRAWING IS UNPUBLISHED. RELEASED FOR PUBLICATION
 © COPYRIGHT BY TYCO ELECTRONICS CORPORATION. ALL RIGHTS RESERVED.

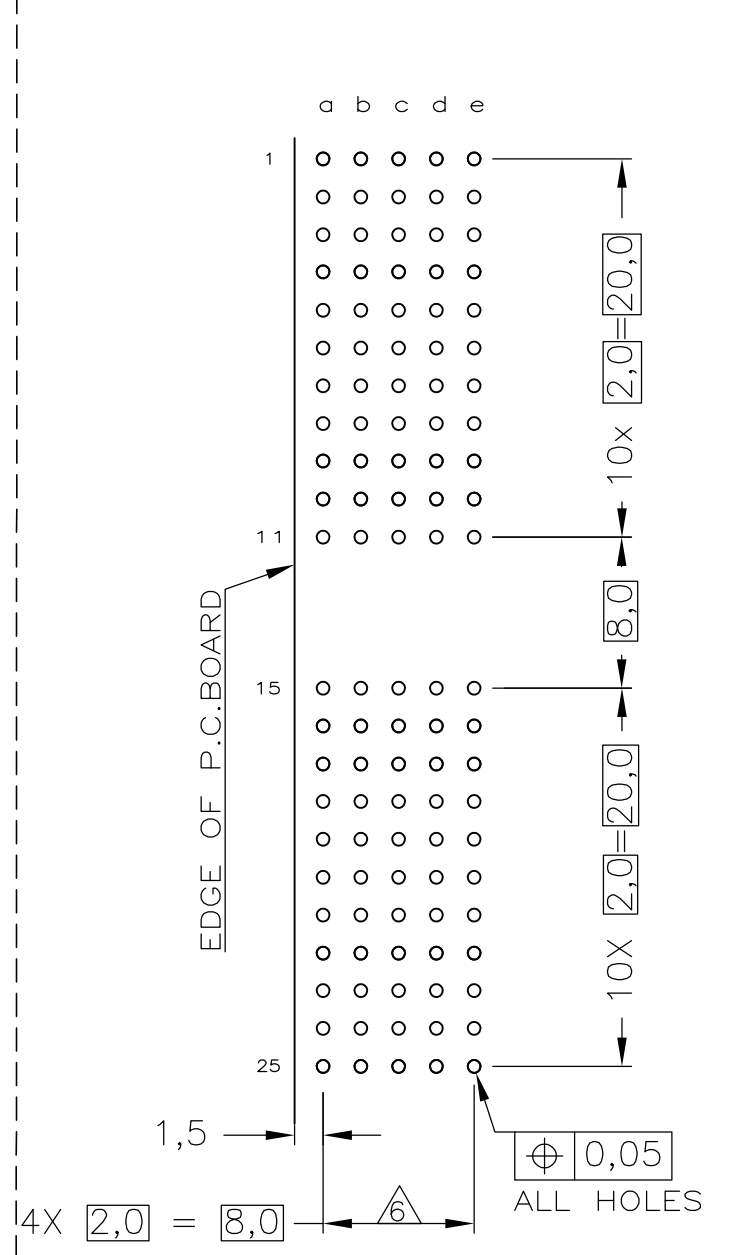


CONNECTOR ASSEMBLY
EXEMPLARY LOADED



LOC	DIST	REVISIONS					
		P	LTR	DESCRIPTION	DATE	DWN	APVD
H	-	-	-				
		A1		ECR-06-002635	07-02-06	BSV	BM
		B		ECR-10-018652	10SEP10	JS	MQW

RECOMMENDED PCB-HOLE LAY-OUT
COMPONENT SIDE SHOWN



CONTACT LAYOUT

	a	b	c	d	e
1	2	2	2	2	2
2	2	2	2	2	2
3	2	2	2	2	2
4	1	2	2	2	2
5	2	2	2	2	2
6	2	2	2	2	2
7	2	2	2	2	2
8	2	2	2	2	2
9	2	2	2	2	2
10	3	2	3	2	2
11	3	2	3	2	2
MULTI PURPOSE CENTRE					
15	3	2	3	2	2
16	3	2	3	2	2
17	2	2	2	2	2
18	2	2	2	2	2
19	2	2	2	2	2
20	2	2	2	2	2
21	2	2	2	2	2
22	2	2	2	2	2
23	2	2	2	2	2
24	2	2	2	2	2
25	2	2	2	2	2

CONCEPTUAL PRODUCT
NOT FOR PRODUCTION

- NOTES:
- 1 MATERIAL HOUSING : GREY GLASSFILLED POLYESTER UL-RATING V0
 - CONTACT : PHOSPHORBRONZE
 - △ GENERAL PLATING SPECIFICATION: UNDERPLATING (ENTIRE CONTACT): 1,27µm NICKEL MIN. AND ACTION PIN: 0,5µm TIN-LEAD MIN. FOR PLATING OF MATING SURFACES SEE APPLICABLE SPECIFICATION REFERENCE FOR EACH DASH NUMBER.
 - ③ CONFORMS TO ALL TESTING ACCORDING IEC 61076-4-101 PERFORMANCE LEVEL 2.
 - ④ CONNECTOR ASSEMBLY WITH LATCH HINGE FOR CABLE CONNECTOR.
 - ⑤ CONNECTOR PRINTED WITH PARTNUMBER AND DATECODE
 - ⑥ PLATED-THROUGH HOLES AT 2x2mm SQUARE GRID.
 - ⑦ AREA FOR KEYING PART (BASIC PART NUMBER 100525).

THIS DRAWING IS A CONTROLLED DOCUMENT.

DIMENSIONS: mm	TOLERANCES UNLESS OTHERWISE SPECIFIED: ±0.2	DWN B.MOOIJ 22DEC05	NAME
		CHK B.MOOIJ 22DEC05	
		APVD J.BROEKSTEEG 22DEC05	
		PRODUCT SPEC	
		108-19082	
		APPLICATION SPEC	
		114-19029	
MATERIAL	FINISH	WEIGHT	SIZE A2 CAGE CODE 00779 DRAWING NO. C=1857470 RESTRICTED TO
			SCALE 5:1 SHEET 1 OF 1 REV B

Tyco Electronics Corporation
J. Broeksteeg, Netherlands

Z-PACK 2MM HM TYPE A
110 POS. RIGHT ANGLE MALE
CONNECTOR ASSEMBLY

1-1857470-1
1857470-1
CONTACT FINISH PARTNUMBER