



Feature -

- small size
- bi-color LED illuminated available
- right angle and vertical PCB terminal
- SPDT, DPDT, lock / non-lock function

Application -

- consumer products
- computer products
- instrumentation
- communication equipments

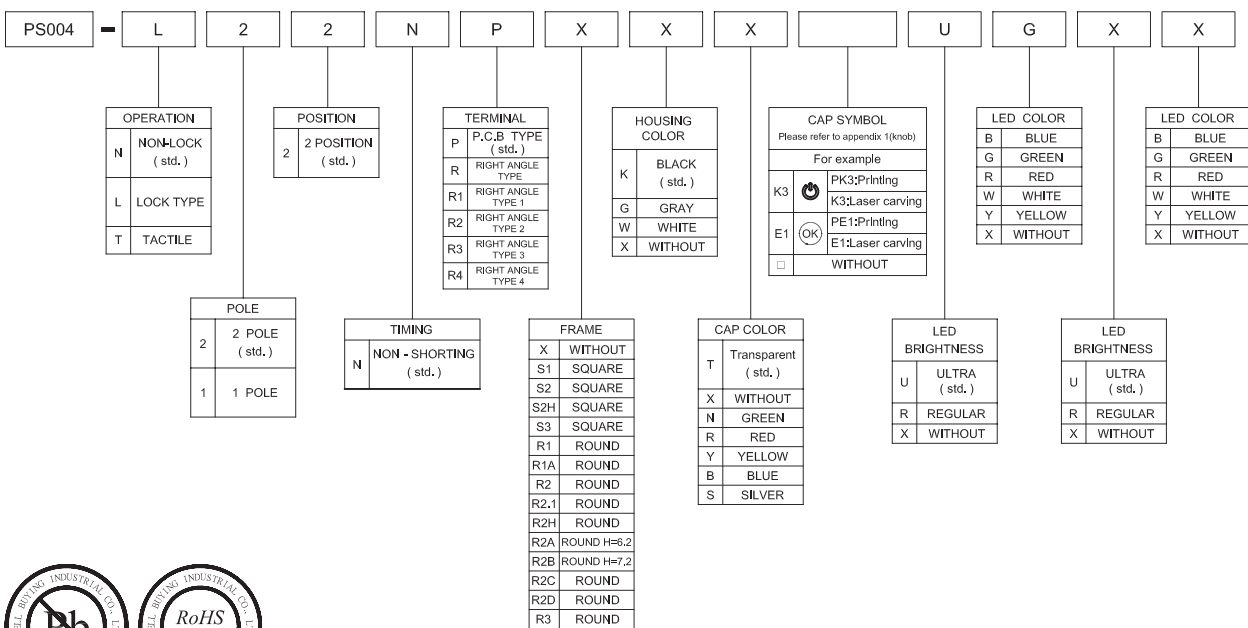
SPECIFICATIONS

SWITCH SPECIFICATIONS	
POLE - POSITION	1P2T , 2P2T LOCK / NON-LOCK Action with LED
CONTACT RATING	30 VDC , 0.1A / 5 VDC , 0.1mA
CONTACT RESISTANCE	50 mΩ MAX. 1.5 V DC ; 100 mA , by Method of Voltage DROP
INSULATION RESISTANCE	100 MΩ MIN. 500 V DC
DIELECTRIC STRENGTH	Breakdown is not Allowable ; 500 V AC for 1 Minute
OPERATING FORCE	250 ± 100 gf
OPERATING LIFE	50,000 cycles
OPERATING TEMPERATURE RANGE	-20°C ~ 70°C
TOTAL TRAVEL	TRAVEL - 0.7 ± 0.3 mm FULL TRAVEL - 1.5 ± 0.3 mm

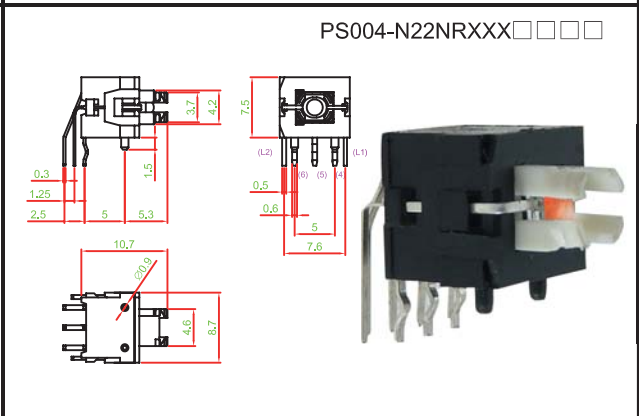
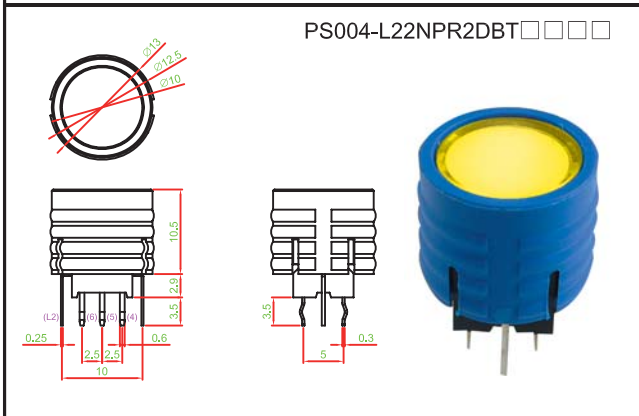
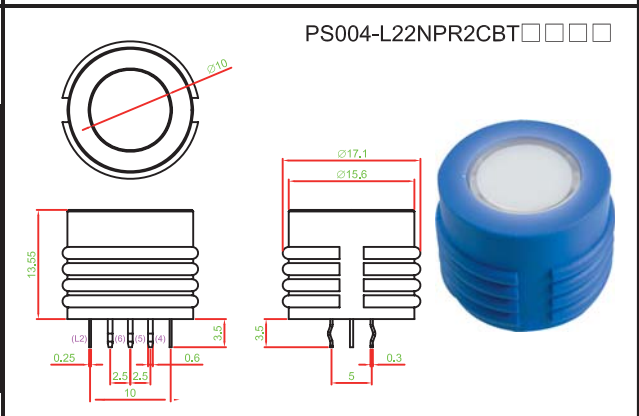
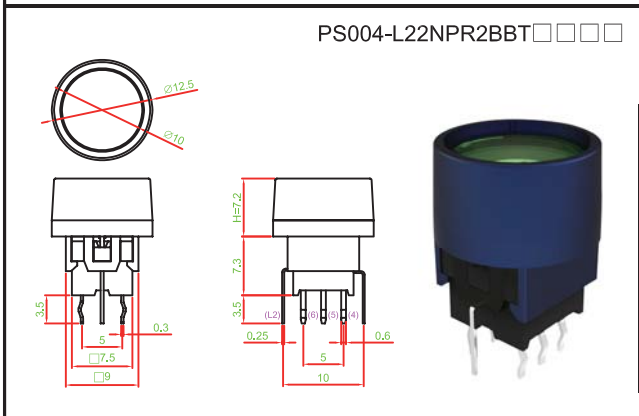
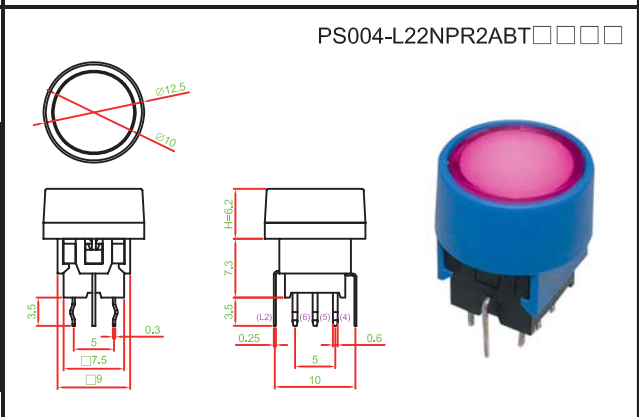
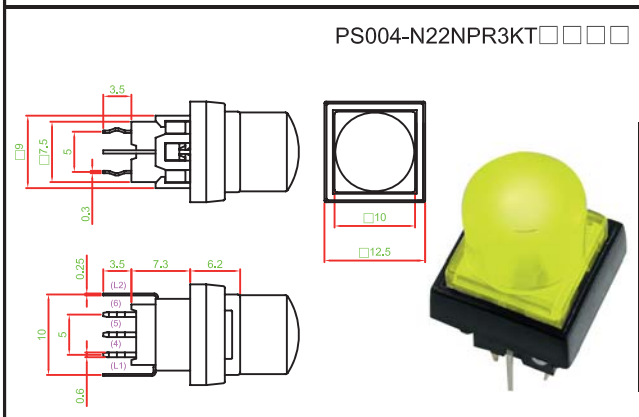
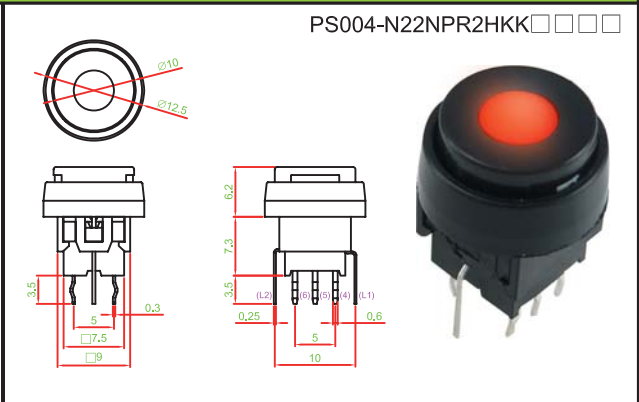
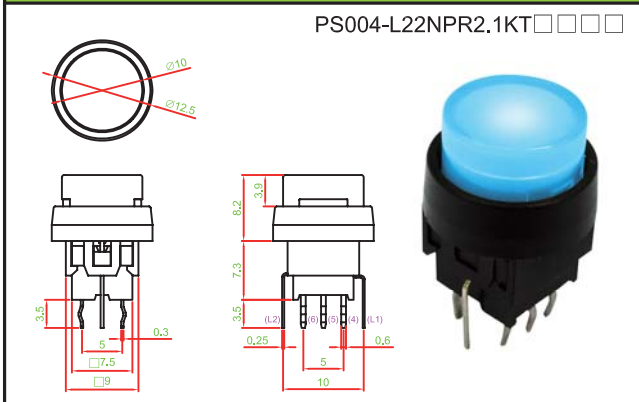
LED SPECIFICATIONS		Unit	Value / LED Color				
			Blue	Green	Red	White	Yellow
ATTENTION	(+) (-) LEDs are Electrostatic Sensitive devices						
FORWARD CURRENT	If	mA	10	20	20	2	20
REVERSE VOLTAGE	Vr	V	5.0	5.0	5.0	5.0	5.0
REVERSE CURRENT	Ir	μA	10	10	10	10	10
FORWARD VOLTAGE	Vf	V	@ 10mA 3.0-4.0	2.1-2.5	2.0-2.5	@ 2mA 2.8-4.0	2.0-2.5
LUMINOUS INTENSITY	Iv	mcd	@ 10mA 200	800	1800	@ 2mA 12	1800

Physical and electrical information of LED will be provided upon customer's request on switches.

HOW TO ORDER



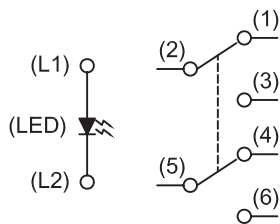
▶ DIMENSION



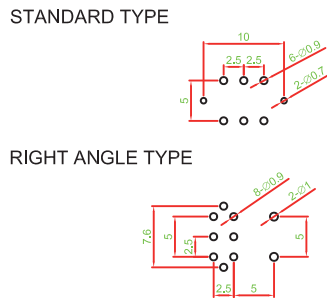
▶ DIMENSION

<p>PS004-N22NRS1XT□□□□</p> <p>Technical drawings showing side, top, and front views of the PS004-N22NRS1XT□□□□ switch with a pink actuator. Dimensions include: 0.3, 1.25, 2.5, 5, 7.8, 13.2, 1.5, 3.5, 7.5, 0.5, 0.6, 5, 7.6, 8.7, 30.9.</p>	<p>PS004-N22NRS1KT□□□□</p> <p>Technical drawings showing side, top, and front views of the PS004-N22NRS1KT□□□□ switch with a green actuator. Dimensions include: 0.3, 1.25, 2.5, 5, 8, 16.5, 1.5, 3.5, 6.8, 7.5, 0.5, 0.6, 5, 7.6, 10.4, 30.9, 7.5.</p>
<p>PS004-N22NR1S1XT□□□□</p> <p>Technical drawings showing side, top, and front views of the PS004-N22NR1S1XT□□□□ switch with a yellow actuator. Dimensions include: 3, 2.3, 1.25, 1.25, 1, 5, 7.8, 8.4, 0.3, 0.5, 2.5, 2.5, 0.6, 7.6, 9, 9.4, 7, 12.6, 9.4, 7.5, 2.3.</p>	<p>PS004-N22NR2S1KT□□□□</p> <p>Technical drawings showing side, top, and front views of the PS004-N22NR2S1KT□□□□ switch with a grey actuator. Dimensions include: 15.6, 7.9, 3, 2.3, 1.25, 1, 5, 7.8, 6.7, 0.3, 0.5, 2.5, 2.5, 0.6, 7.6, 9, 9.4, 7, 7.5, 9.6, 7.5.</p>
<p>PS004-N22NR3S1KT□□□□</p> <p>Technical drawings showing side, top, and front views of the PS004-N22NR3S1KT□□□□ switch with a red actuator. Dimensions include: 0.3, 1.25, 2.5, 5, 5.6, 14.1, 2.2, 7.5, 8.8, 3.5, 1.5, 0.5, 0.6, 2.5, 2.5, 7.6, 10.4, 30.9.</p>	<p>PS004-N22NR4S1XT□□□□</p> <p>Technical drawings showing side, top, and front views of the PS004-N22NR4S1XT□□□□ switch with a blue actuator. Dimensions include: 3, 0.3, 1.25, 2.5, 5, 5.6, 7.8, 7.5, 1.5, 0.6, 5, 0.5, 7.6, 13.2, 3.5, 8.4, 7, 7.6, 5, 7.6, 5, 5.6, 2.5, 2.5, 2.01, 8-20.9, 2-20.1.</p>

▶ CIRCUIT DIAGRAM



▶ P.C.B. LAYOUT



▶ MATERIAL

- FRAME : PA + GF
- ACTUATOR : PA + GF
- BASE : PA + GF
- TERMINAL : BRASS ; SILVER PLATING
- SPRING : STAINLESS STEEL

	0	1	2	3	4	5	6	7	8	9	10	11	12	13	14	15	16	17	18	19
A	0	1	2	3	4	5	6	7	8	9	10	11	12	13	14	15	16	17	18	19
B	A	B	C	D	E	F	G	H	I	J	CH5	CH6	DISK	PIP	C-KEY	CUT	TAKE	REC	ENG	PROG
C	K	L	M	N	O	P	Q	R	S	T	REPLAY	RET1	RET2	KEY ON	AUTO TAKE	A1	A2	A3	A4	0
D	U	V	W	X	Y	Z	POWER	ON OFF	ON	OFF	USER A	USER B	USER C	USER D	USER E	USER F	USER S	USER H	USER I	
E	OK	OK	Auto	Enter	Start	STOP	OPEN	CLOSE	Exit	Move	USER J	↶	✕	□	⏮	⏪	⏩	⏭	M-1	↻
F	SET	Reset	Light	Alarm	Menu	Next	Back	Delete	Motor	Save	⏪	⏩	⏮	⏭	✓1	✓2	☰	↑	↻	
G	Up	Down	Right	Left	Test	End	Insert	Lock	Print	+/-	🔑	⏪	⏩	☰	⏮					
H	ESC	BC.	HOME	Health	D-LED 2	OC GENIE	VIDEO INPUT	clr CMOS	Green Power	Save OK										
I	B/R	Undo Cancel	T/L	F1	F2	F3	F4	F5	F6	F7										
J	F8	F9	F10	F11	F12	F13	F14	IN 1	IN 2	IN 3										
K	IN 4	IN 5	IN 6	⏻	⏻	⏻	⏻	⏻	⏻	⏻										
L	+	-	×	÷	=	↑	→	▲	▶	▶										
M	⬆	⬆	↻	↻	↻	↻	↑	→	↑	→										
N	↑	→	▲	◀	▶	◀	▶	◀	▶											
O	■	⏮	⏮	⏮	⏮	⏮	⏮	⏮	⏮	⏮										
P	☰	🔦	🔦	✕	✓	⏻	Config.	TIME LINE	ME1	ME2										
Q	ME3	ME4	BGND 3D DVE1	BGND 3D DVE2	BUS COLOR	ME BUTTON LINK	*	INSERT	WIPE	🔦										
R	⏮	ALL	🔦	VP	☰	COPY	📄	RECORD MODE	↕	🔦										
S	🔊	♥	MUTE	🔦	🔦	🔦	🔦	🔦	🔦	🔦										
T	🔦	🔦	group	🔦	🔦	🔦	🔦	🔦	🔦	🔦										
U	🔦	🔦	chair	🔦	🔦	🔦	🔦	🔦	🔦	🔦										
V	🔦	🔦	OC	🔦	🔦	CLEAR	CROSS WIND	AMMO TEMP	BARO PRESS	AIR TEMP										
W	BORE-SIGHT	CANT	LEAD	RANGE	MRS	ZERO	TEST	UD	LR	🔦										
X	ID	Dstep	MF	GALL	○	BAND	SETUP	MODE	LINK	FUNC.										
Y	SHIFT	🔦	🔦	🔦	🔦	DEL	🔦	🔦	🔦	🔦										
Z	🔦	🔦	🔦	RUN	2D	3D	CH1	CH2	CH3	CH4										