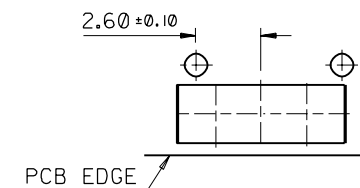
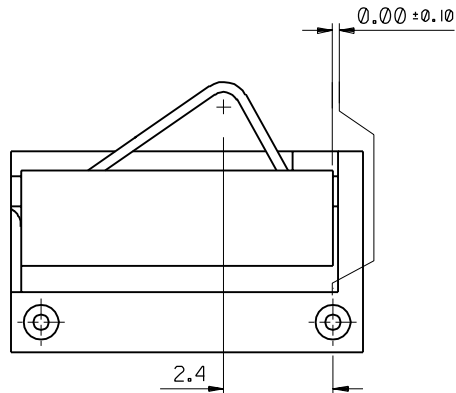
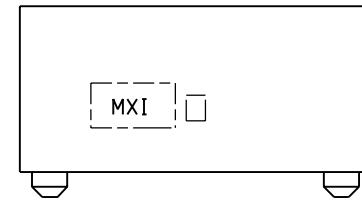
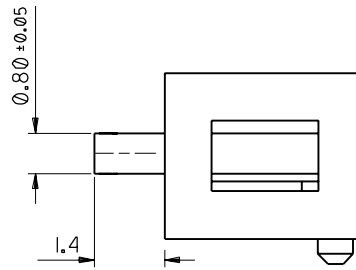
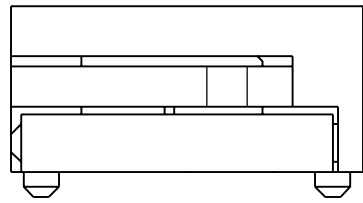
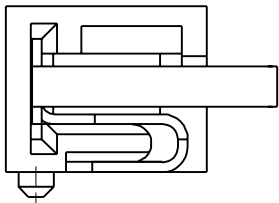


PART NO. 90868-0003
 DWG. NO. SDA-90868E



RECOMMENDED PCB THICKNESS: 1.2
 RECOMMENDED PCB LAYOUT

NOTES:

- FOR ALL UNSTATED DIMENSIONS SEE SHEET 1.
- MATERIALS:
 HOUSING: 30% G.F. PA 46, COLOUR BLACK.
 CONTACT: 0.20 REF. BERYLLIUM COPPER.
- PLATING: NICKEL 1.27µm MIN. UNDERCOAT OVERALL.
 GOLD FLASH 0.10µm MIN. OVER PALLADIUM-NICKEL 1.0µm MIN. IN CONTACT AREA.
- PACKAGING: TAPE AND REEL (EMBOSSSED TAPE), SEE SDA-90868-0001.
- SEE PRODUCT SPECIFICATION PS-99020-0041.
- MXI AND CAVITY I.D. RAISED IN THESE AREAS MAX 0.1 TEXT HEIGHT MAX 1.5

FOR PREVIOUS DRAWING ISSUES SEE MRI.

REV	DESCRIPTION	MAJOR =	QUALITY SYMBOLS	GENERAL TOLERANCES: (UNLESS SPECIFIED)		SCALE	DESIGN UNITS	THIRD ANGLE PROJECTION	DIMENSIONS:		SHT	REV
				mm	INCH	10:1	<input checked="" type="checkbox"/> mm <input type="checkbox"/> INCH		<input type="checkbox"/> mm <input type="checkbox"/> INCH	<input checked="" type="checkbox"/> mm ONLY		
				4 PLACES	±0.	±.	DRAWN BY & DATE PMCAID 26.05.99	TITLE: ONE CIRCUIT BATTERY CONNECTOR				
				3 PLACES	±0.	±.	CHECKED BY & DATE CCONLON 18.08.99					
				2 PLACES	±0.10	±.	APPROVED BY & DATE MWILHITE 18.08.99	MATERIAL NO. 90868-0003	DRAWING NO. SDA-90868E	SHEET NO. 20F		
				1 PLACE	±0.20	±.	CAD FILENAME					
				ANGULAR: ± 1°		DRAFT WHERE APPLICABLE MUST REMAIN WITHIN DIMENSIONS		THIS DRAWING CONTAINS INFORMATION THAT IS PROPRIETARY TO MOLEX INCORPORATED AND SHOULD NOT BE USED WITHOUT WRITTEN PERMISSION.				