



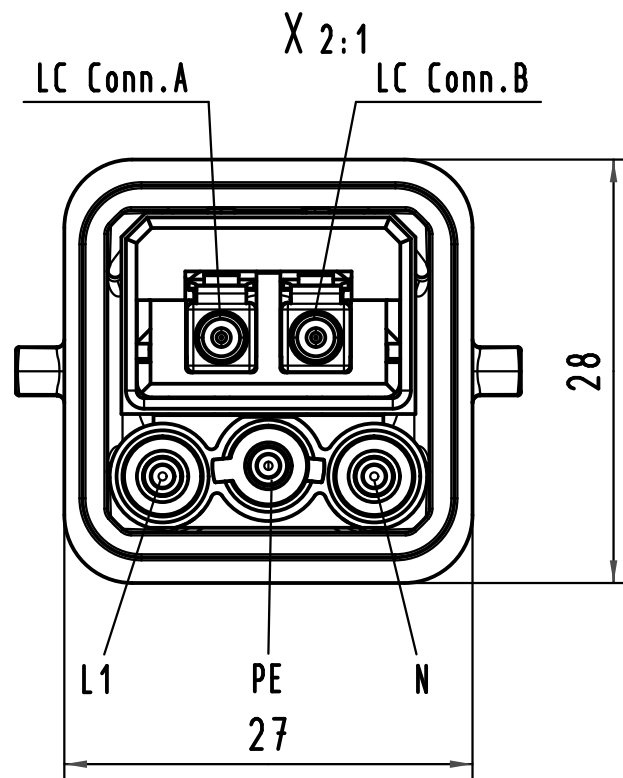
Hybrid Han 3A - LC Duplex and Power AC, with metal housing

approx. 102

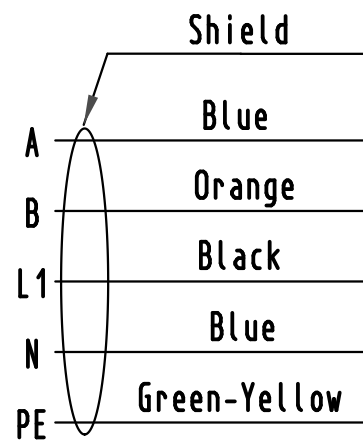
Hybrid cable  
FO 2xG50/125 + POWER 3x2.5/3.5

a

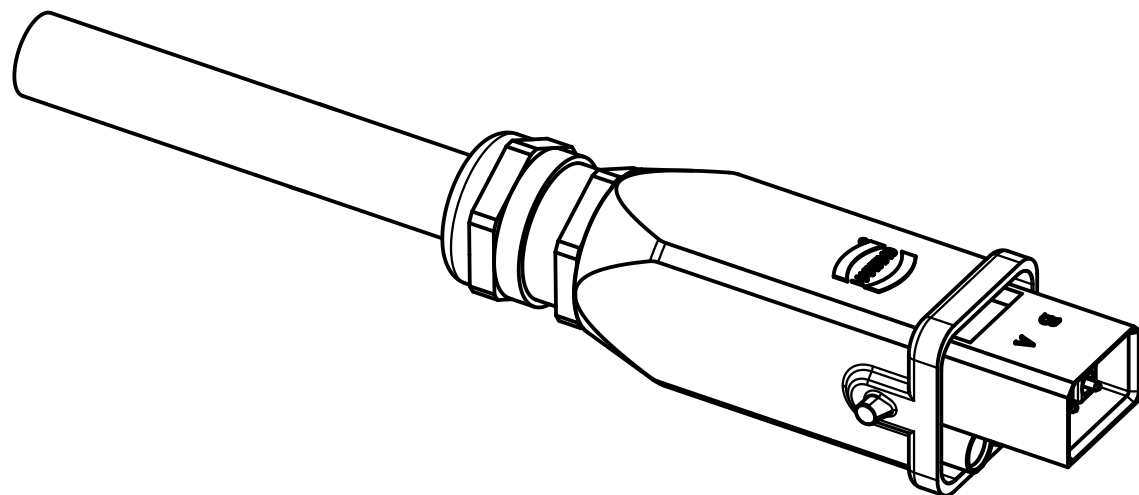
$\phi 12,6 \pm 0,3$



Loading-Plan



-Insertion loss must be tested 100%  
-Return loss must be tested at least by random samples



4	Hybrid cable 2xFO + 3x2.5/3.5	33 57 111 020 5001	20 (±0.20)m
3	Hybrid cable 2xFO + 3x2.5/3.5	33 57 111 010 5001	10 (±0.10)m
2	Hybrid cable 2xFO + 3x2.5/3.5	33 57 111 005 5001	5 (±0.05)m
1	Hybrid cable 2xFO + 3x2.5/3.5	33 57 111 001 5001	1 (±0.01)m

Cont No.	Type of cable	Part-No.	Dim. a
----------	---------------	----------	--------

All Dimensions in mm Original Size DIN A 3		Techn. Character.		Nicht tolerierte Maße/													
		<table border="1"> <tr> <th>Dat.</th> <th>Name</th> <th>Maßstab/Scale</th> </tr> <tr> <td>Detail. 06.02.09</td> <td>MR</td> <td>/</td> </tr> <tr> <td>Insp.</td> <td></td> <td></td> </tr> <tr> <td>Stand.</td> <td></td> <td></td> </tr> </table>		Dat.	Name	Maßstab/Scale	Detail. 06.02.09	MR	/	Insp.			Stand.			Hybrid cable assembly, FO 2xG50/125 + POWER 3x2.5/3.5, 1xHAN3A, LC duplex MM, 3xpower AC	
Dat.	Name	Maßstab/Scale															
Detail. 06.02.09	MR	/															
Insp.																	
Stand.																	
S468A Mod.		HARTING Electronics GmbH & Co. KG D-32339 ESPELKAMP		TB 33 57 111 xxx 5001 Sub. Sub.													
Dat. Name				Blatt/ page													