

PART NAME: 5 STAR-KNOB SCALE: 1:1 DATE: 11/28/95 DR. BY RF

THIS DRAWING IS THE PROPERTY OF DAVIES MOLDING COMPANY, IS SUBMITTED SOLELY AS A DESIGN OR ENGINEERING PROJECT. WE ACCEPT NO RESPONSIBILITY WHATSOEVER FOR THE PRACTICAL APPLICATION OF THE PIECES MADE TO THIS DESIGN.



DESIGNERS & MANUFACTURERS OF KNOBS, HANDLES, CASES & CUSTOM PLASTIC COMPONENTS

P/N 2980AD

M NO. # 9

CAV.	2980
CORE	2980
SLEEVE	2980
PIN	2980-AD
INSERT	10528

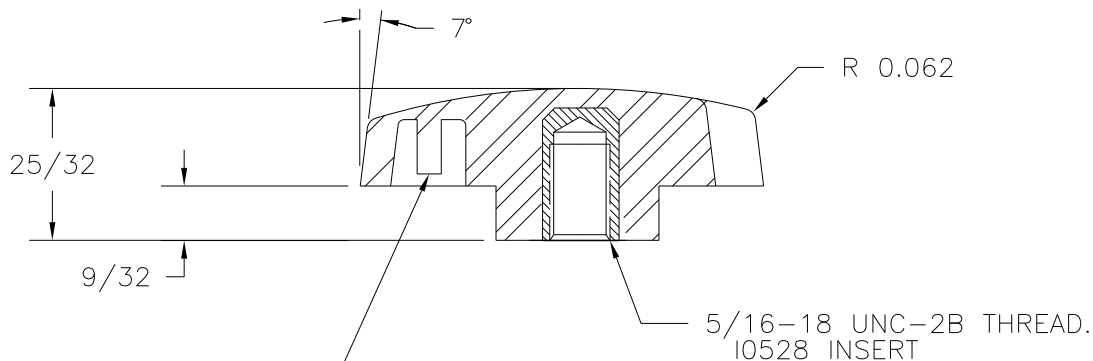
TEXTURED TOP SURFACE ONLY (UNITEX-UT-741)

R 0.359

2.25 DIA.

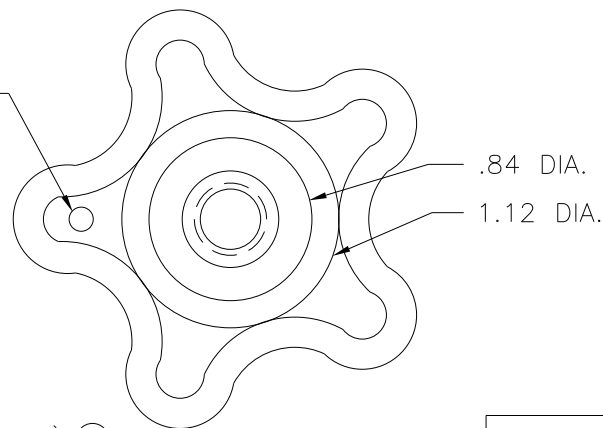
(D)

R 0.281



NOTE : GATE TO BE TRIMMED FLUSH OR BELOW THIS SURFACE.

1/8 DIA. GATE



MATERIAL: POLYPROPYLENE (CLD) (E)

COLOR: BLACK

(F)

ALTERNATE MATERIAL: 20% TALC-FILLED POLYPROPYLENE (BC9)

F	ADDED ALT. MAT.	JAM	1/21/15
E	ADDED MAT. CODE	DS	1/26/07
D	PIN WAS 2980-A	HD	3/17/97
C	2980AD WAS 2980AE	RF	12/12/96
B	2980AE WAS 2980AD	HD	10/17/96
A	2980AD WAS 2980AB	RF	6/14/96

TOLERANCES: UNLESS OTHERWISE SPECIFIED	DO NOT SCALE DRAWING
DECIMALS: X.XXX ± .005 X.XX ± .015	MM: X.XX ± 0.15MM X.X ± 0.4MM
FRACTIONS ± 1/64	ANG. ± 1°

CHANGES