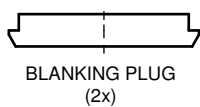
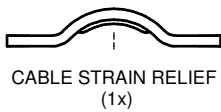
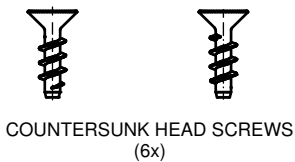
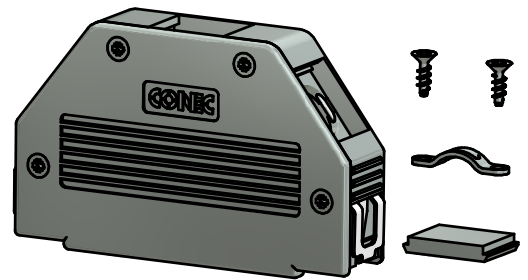
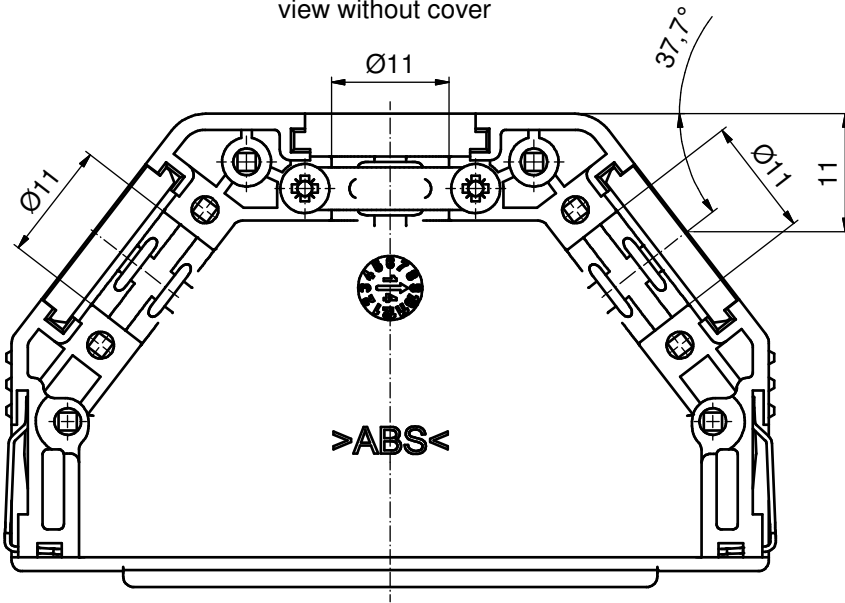


view without cover



RoHS compliant

**HOOD ASSEMBLY CONSISTS OF:**

1. HOOD + COVER: ABS UL 94 V-0; NICKEL PLATED
2. BLANKING PLUGS: ABS UL 94 V-0; NICKEL PLATED
3. CABLE STRAIN RELIEF: STEEL; NICKEL PLATED
4. CLIP: STAINLESS STEEL
5. COUNTERSUNK HEAD SCREWS: STEEL; NICKEL PLATED

Part-No.	
Bulk package	Single package
16-001780	16-001780E

THIS DRAWING MAY NOT BE COPIED OR REPRODUCED IN ANY WAY, AND MAY NOT BE PASSED ON TO A THIRD PARTY WITHOUT WRITTEN PERMISSION. OWNERSHIP AND COPYRIGHT OF CONEC GmbH DO NOT ALTER CAD DRAWING BY HAND	tolerance		dim. in mm	scale: 2:1 (1:1)		
	date			material: see drawing		
	name		title: Plastic Hood 37pos with Snap Lock / top and two sides cable exit			
	drawn 25.09.14 Henneboel		dwg no: 16K1A3532			
	appd. 25.09.14 Strakerjahn		DIN-A3 sh: 1			
norm		part no: (b) SEE TABLE				
d-old						
2 x b	A5619	22.04.2015	K.H.			
a	Original					
rev.	description	date	name			