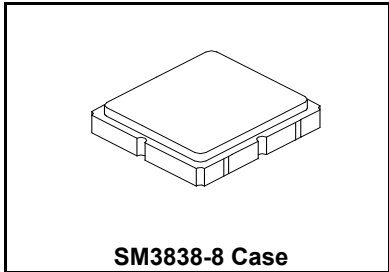


SF2423D

**480 MHz
SAW Filter**



- *Hermetically sealed Surface Mount package*
- *Complies with Directive 2002/95/EC (RoHS)*



Absolute Maximum Ratings

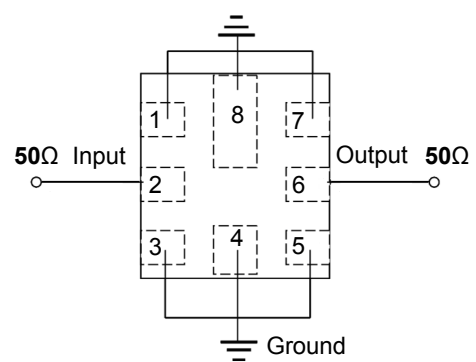
Rating	Value	Units
Maximum Input Power	+10	dBm
DC Voltage	3	VDC
Operable Temperature Range	-45 to +125	°C
Specification Temperature	-40 to +85	°C
Storage Temperature	-40 to +85	°C

Electrical Characteristics

Characteristic	Sym	Notes	Minimum	Typical	Maximum	Units
Nominal Operating Frequency	f_c			480		MHz
Max Insertion Loss 470 to 490 MHz				2.0	3.0	dB
2dB Bandwidth			20	24.3		MHz
Attenuation (Reference level from 0dB)						
$f_c -100$ to $f_c -45$ MHz			40	56		dB
$f_c +45$ to $f_c +55$ MHz			30	56		
$f_c +55$ to $f_c +100$ MHz			40	54		
Temperature Coefficient of Frequency				36		ppm/k
Source Impedance	Z_S			50		Ω
Load Impedance	Z_L			50		Ω
Footprint Size: 3.8 X 3.8						SM3838-8
Lid Symbolization (Y=Year, WW=week, S=shift)						B37//YVWS

Electrical Connections

Connection	Terminals
Input	2
Output	6
Ground	All Others



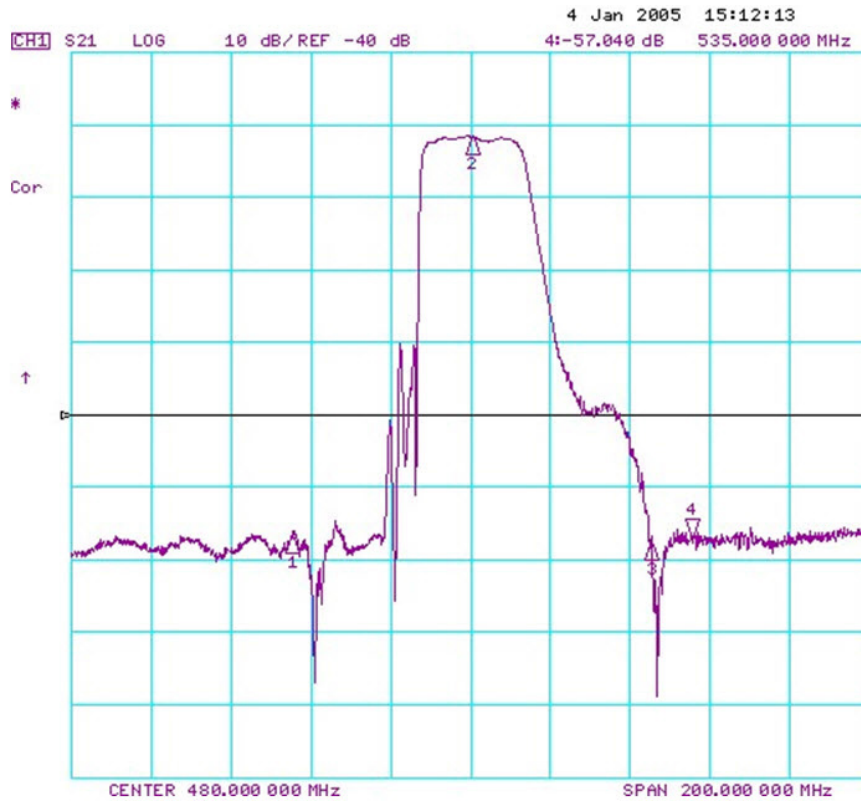
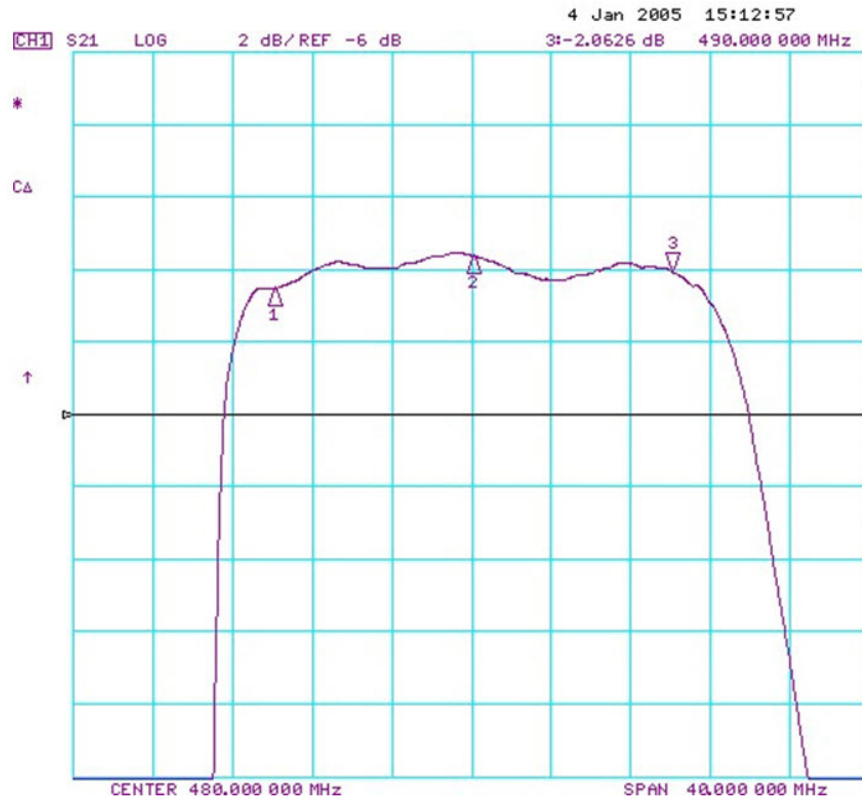
CAUTION: Electrostatic Sensitive Device. Observe precautions for handling.



NOTES:

1. All specifications apply over the operating temperature range with filter soldered to the specified demonstration board unless noted otherwise.
2. Ultimate rejection is dependent on PCB layout.
3. Specifications subject to change without notice.
4. Electrostatic Sensitive Device. Observe precautions for handling.
5. US and international patents may apply.
6. Murata, stylized Murata logo, and Murata N.A., Inc. are registered trademarks of Murata Manufacturing Co., Ltd.

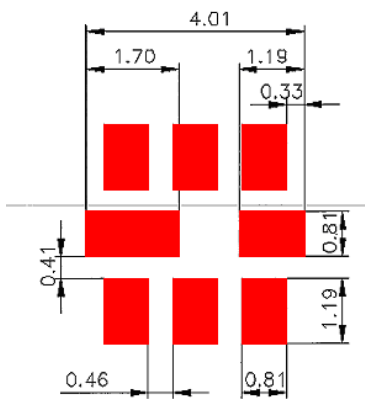
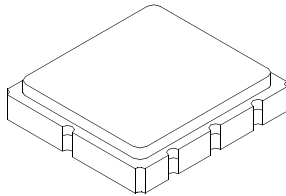
Frequency Characteristics



SM3838-8 Case

8-Terminal Ceramic Surface-Mount Case

3.8 X 3.8 mm Nominal Footprint



PCB Footprint

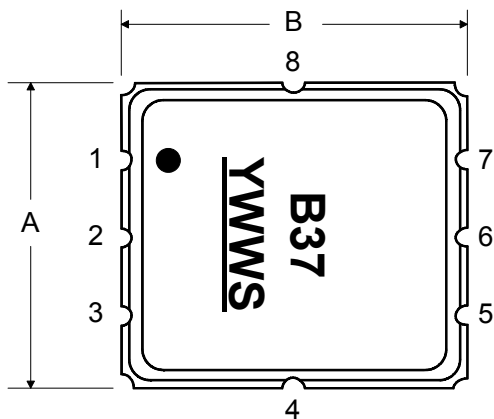
Case Dimensions						
Dimension	mm			Inches		
	Min	Nom	Max	Min	Nom	Max
A	3.6	3.8	4.0	0.142	0.150	0.157
B	3.6	3.8	4.0	0.142	0.150	0.157
C	1.05	1.20	1.35	0.041	0.047	0.053
D	0.95	1.10	1.25	0.037	0.043	0.049
E	0.90	1.00	1.10	0.035	0.040	0.043
F	0.50	0.60	0.70	0.020	0.024	0.028
G	2.39	2.54	2.69	0.090	0.100	0.110
H	1.40	1.75	2.05	0.055	0.069	0.080
I	0.90	1.00	1.10	0.035	0.040	0.043

Electrical Connections		
	Connection	Terminals
Port 1	Input	2
Port 2	Output	6
	Ground	All Others

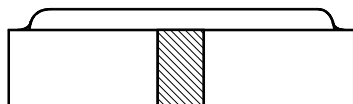
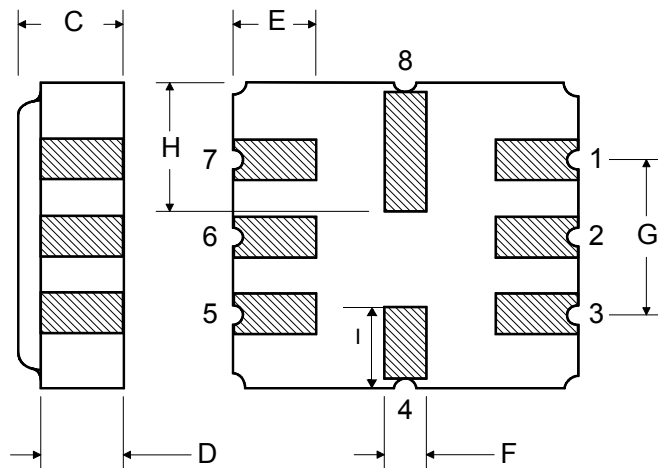
Dot Indicates Pin 1

Materials	
Solder Pad Termination	Au plating 30 - 60 μ Inches (76.2-152 μ M) over 80-200 μ Inches (203-508 μ M) Ni.
Lid	Fe-Ni-Co Alloy Electroless Nickel Plate (8-11% Phosphorus) 100-200 μ Inches Thick
Body	Al ₂ O ₃ Ceramic
Pb Free	

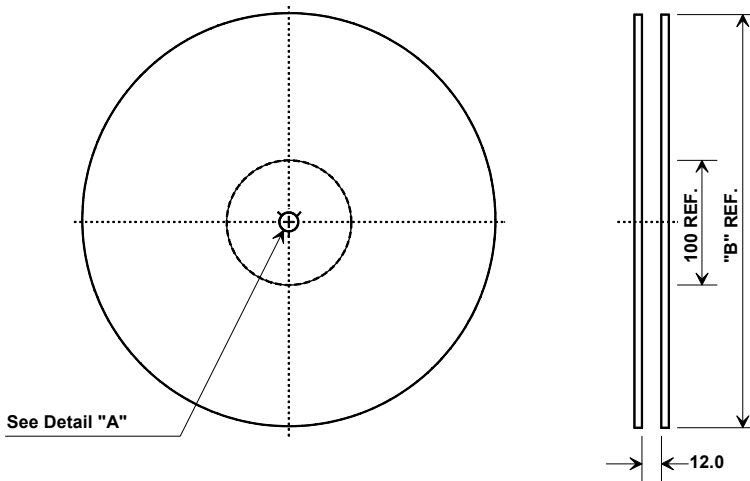
TOP VIEW



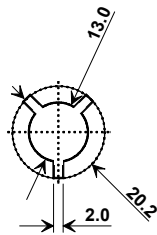
BOTTOM VIEW



Tape and Reel Specifications

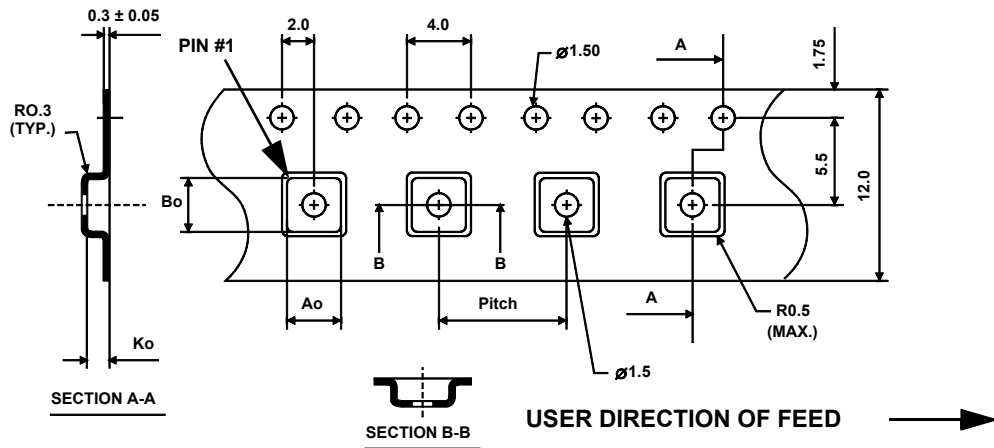


"B" Nominal Size		Quantity Per Reel
Inches	millimeters	
7	178	500
13	330	3000



COMPONENT ORIENTATION and DIMENSIONS

Carrier Tape Dimensions	
Ao	4.25 mm
Bo	4.25 mm
Ko	1.30 mm
Pitch	8.0 mm
W	12.0 mm



Reflow Profile

