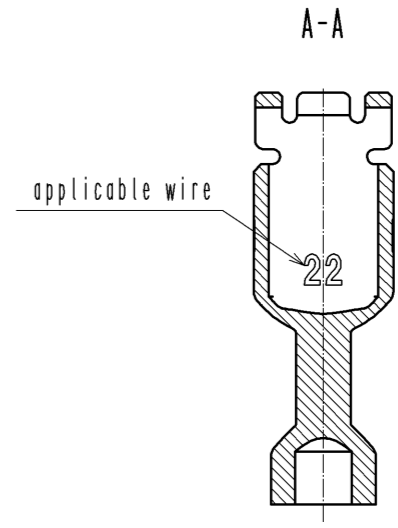
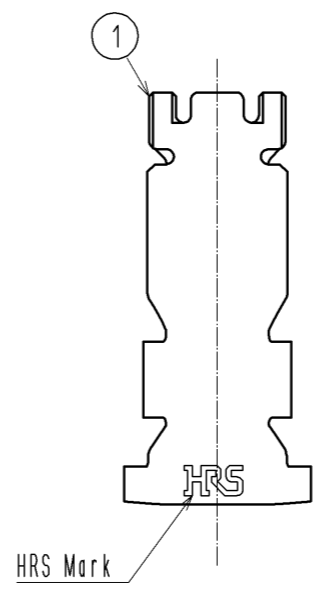
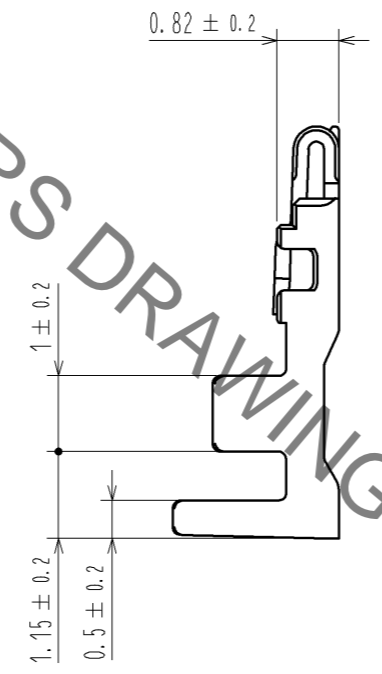
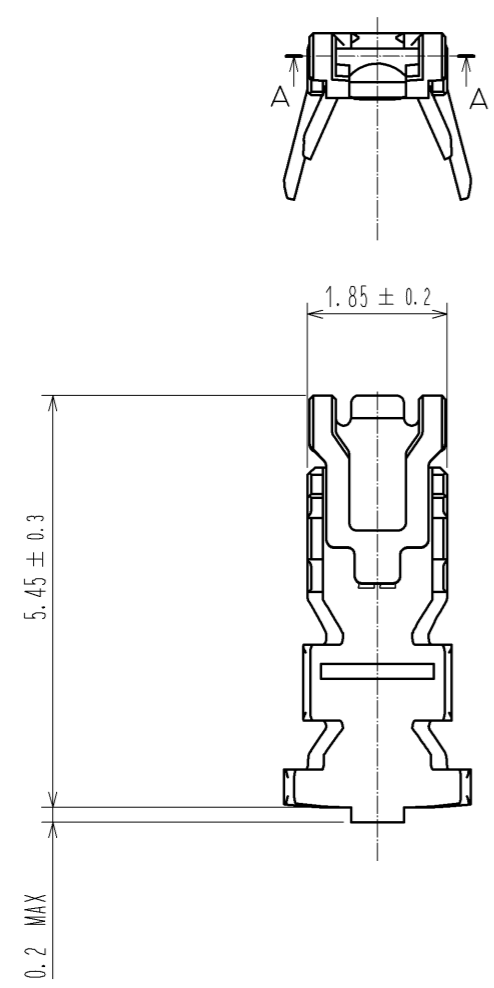


Jul.1.2019 Copyright 2019 HIROSE ELECTRIC CO., LTD. All Rights Reserved.
 In case of consideration for using Automotive equipment / device which demand high reliability, kindly contact our sales window correspondents.



HRS DRAWING FOR REFERENCE

- Notes
1. 1Pack : 100 contacts.
 2. Always refer to the manuals below for operation of this product.
 For Cable assembly / Cable assembly procedure ETAD-H0778
 For Mating/Unmating / Operation manual ETAD-H0779

NO.	MATERIAL	FINISH . REMARKS	NO.	MATERIAL	FINISH . REMARKS
			1	Copper Alloy	Surface :Tin plating 1μm MIN

UNITS		SCALE	COUNT	DESCRIPTION OF REVISIONS	DESIGNED	CHECKED	DATE
mm		10 : 1					
HIROSE ELECTRIC CO., LTD.				APPROVED : KI. AKIYAMA	14.08.01	DRAWING NO. EDC3-358515-01 PART NO. DF59M-2224PC CODE NO. CL667-0044-3-00	
				CHECED : HK. UMEHARA	14.08.01		
				DESIGNED : SZ. ONO	14.08.01		
				DRAWN : SZ. ONO	14.08.01		