

16mm Rotary Encoder

Type DP16 Series

Type DP16 Series



16mm Rotary incremental encoder for use in electronic equipment.

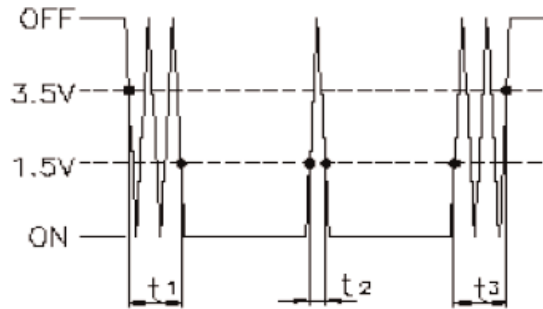
Can be supplied with customisation to standard options

Key Features

- 16mm Rotary Encoder
- Incremental Type
- Various Shaft Lengths
- Pulse Options
- Detent Options

Characteristics - Electrical

Pulses:	12 & 24
Contact Rating:	5VDC @ 5mA
Dielectric Strength:	50VAC / 1mA, 1 minute
Insulation Resistance (min):	10M ohms at 50VDC
Operating Speed (RPM):	60 RPM
Electrical Travel:	Continuous
Rotational Noise:	t ₂ = 2.0 ms max (see below)
Chattering:	t ₁ & t ₃ = 3.0 ms max (see below)



Code Off area V = 3.5V or more. Code on area V=1.5V or less

Characteristics - Mechanical

Total Mechanical Travel:	Continuous
Detents:	0, 12, 24
Shaft Type:	F – Flatted
Shaft Length (from Mounting Surface):	15, 20, 25

Characteristics - Environmental

Operating Temperature	-10 ~ +70 degrees C
Rotational Life	15,000 Cycles

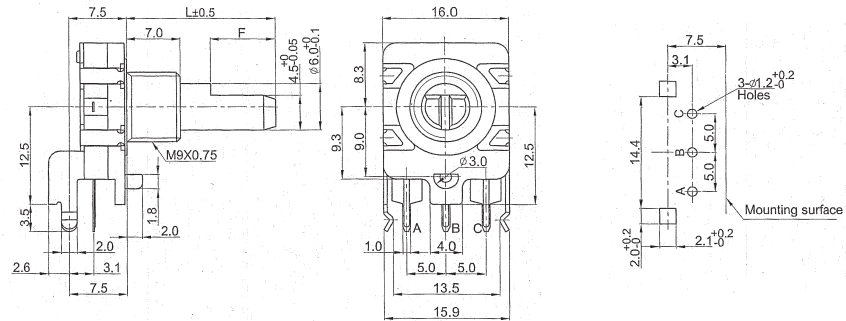
Output Signal Format

Shaft Rotational Direction	Signal	Format
Clockwise	A (Terminal A-C)	OFF ON
	B (Terminal B-C)	OFF ON
Anticlockwise	A (Terminal A-C)	OFF ON
	B (Terminal B-C)	OFF ON

16mm Rotary Encoder

Type DP16 Series

Dimensions DP16H



DP16V



Shaft Length

L	15	20	25
F	7	12	12

How to Order

DP16	H	N	12	A	15	F
Common Part	Orientation	Detent	Pulses	Bush Details	Shaft Length	Shaft Style
DP16 – No Switch	H - Horizontal V - Vertical	N - None 12 – 12 Clicks 24 – 24 Clicks	12 – 12 Pulses 24 – 24 Pulses	A – 5mm B – 7mm	15 – 15mm 20 – 20mm 25 – 25mm	F - Flatted

Mouser Electronics

Authorized Distributor

Click to View Pricing, Inventory, Delivery & Lifecycle Information:

[TE Connectivity:](#)

[DP16H2424B25F](#)