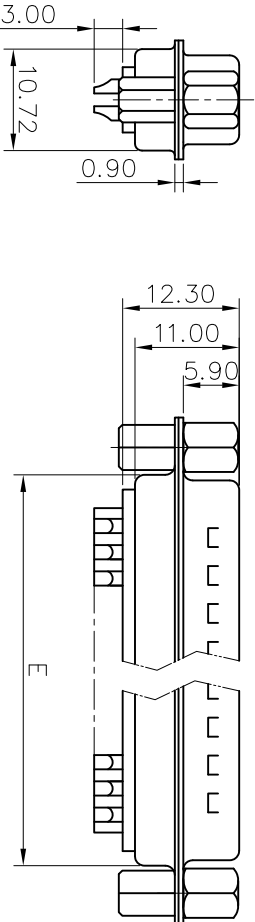
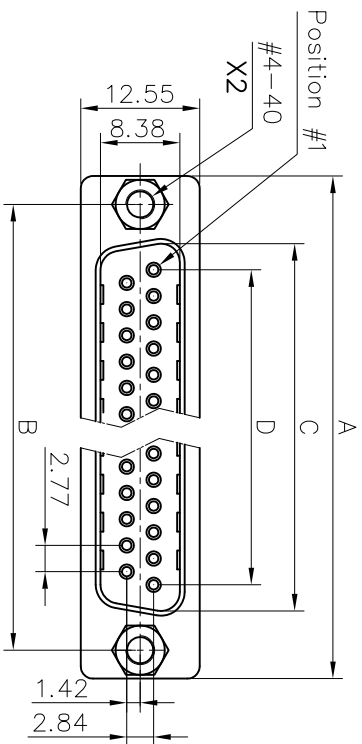


This document is the property of Amphenol Corporation and is supplied on the express condition that it is not to be duplicated, reproduced or used, in whole or in part, without the prior written consent of Amphenol Corporation. Amphenol Corporation will not be held liable for any loss or damage caused by the use of this document or to any information in this document.



Customer drawing

Nb OF CONTACTS	Dimension				
	A	B	C	D	E
9	30.84	24.99	16.92	11.09	19.28
15	39.24	33.32	24.70	19.39	27.51
25	53.04	47.04	38.96	33.24	41.30
37	69.32	63.50	55.42	49.86	57.71

REVISONS			DATE	APPROVED
SM	EDN	DESCRIPTION		
1			06/10/09	

D-SUB TECHNICAL DATA

SHELL : Steel 100u"min tin over 50u" min nickel
 BODY : Glass filled thermoplastic.
 Flame retardant to UL94 V-0 Color Black

CONTACTS : Brass
 Gold flash over 50u" min nickel on mating area.
 100u" min tin over 50u" min nickel on solder area.

SCREWLOCK :Steel,100u" min nickel plated.
 REAR NUT : Brass,100u" min nickel plated.
 ELECTRICAL: Voltage rating : 250 V Rms to 50 Hz
 Current rating : 3A
 Withstanding Voltage >1000 V Rms to 50 Hz for one minute
 Insulation resistance >5000 M Ohms
 Contact resistance 20 mOhms max.

CLIMATIC : Temperature range -55 °C up to 125°C

MARKING : Amphenol...(Series No.)
 Commercial reference
 Manufacturing date

PRODUCT CODE

L 717 SD X H XX P VF

L: RoHS Compliance
 717: tinned shell + dimples for plug
 SD: standard density
 Shell Size: E,A,B,C
 H=Rear insert #4-40
 VF=Front screwlock 4-40
 Contact type: P=pin
 Configuration: 09,15,25,37

UNLESS OTHERWISE SPECIFIED	APPROVAL	DATE	TITLE
TOLERANCES	DRAWN	Checked and sig./09/08	
U.S.			Amphenol
METRIC	CHECKED	14k. using 06/10/09	
.X			Stamped and Formed contacts, SD series
.XX			
.XXX			SIZE DRAWING NO.
ANGLES +/-			C L717SDXHXXPVF
ANGLES +/-			SCALE NONE
2"			SHEET 1 OF 1
FOR MATERIALS AND FINISHES	DRAWING FILE :		REV.
SEE REMOTE SHARP EDGES	ANGLE OF PROJECTION		1
DIMENSIONS	THIRD ANGLE		
FINISHES	MIN		
REMOVE SHARP EDGES	MIN		