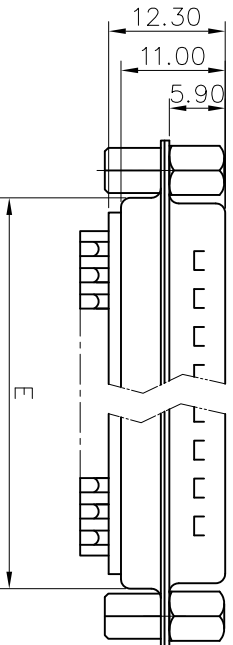
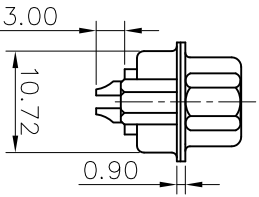
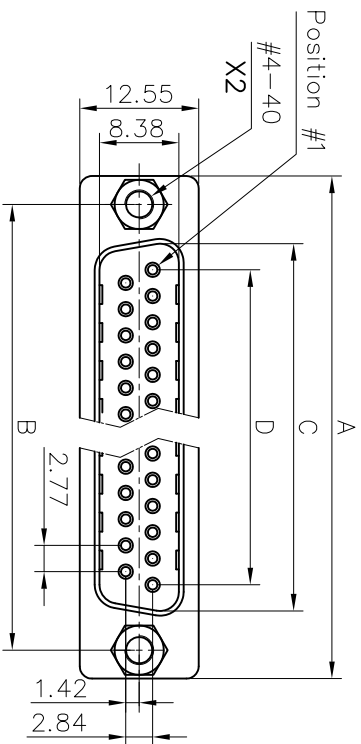


This document is the property of Amphenol Corporation and is supplied on the express condition that it is not to be duplicated, reproduced or used, in whole or in part, without the prior consent of Amphenol Corporation. Amphenol Corporation will not be held responsible for any loss or damage to the original or to any copy of this document.



Customer drawing

Nb OF CONTACTS	Dimension				
	A	B	C	D	E
9	30.84	24.99	16.92	11.09	19.28
15	39.24	33.32	24.70	19.39	27.51
25	53.04	47.04	38.96	33.24	41.30
37	69.32	63.50	55.42	49.86	57.71

REVISIONS			
SM	EDN	DESCRIPTION	DATE
1			06/10/09

D-SUB TECHNICAL DATA

SHELL : Steel 100u"min tin over 50u" min nickel
 BODY : Glass filled thermoplastic.
 Flame retardant to UL94 V-0 Color Black

CONTACTS : Brass
 Gold flash over 50u" min nickel on mating area.
 100u" min tin over 50u" min nickel on solder area

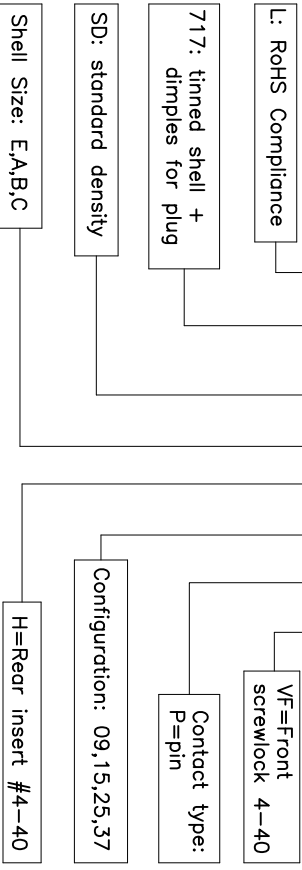
SCREWLOCK :Steel,100u" min nickel plated.
 REAR NUT : Brass,100u" min nickel plated.
 ELECTRICAL: Voltage rating : 250 V Rms to 50 Hz
 Current rating : 3A
 Withstanding Voltage >1000 V Rms to 50 Hz for one minute
 Insulation resistance >5000 M Ohms
 Contact resistance 20 mOhms max.

CLIMATIC : Temperature range -55 °C up to 125°C

MARKING : Amphenol...(Series No.)
 Commercial reference
 Manufacturing date

PRODUCT CODE

L 717 SD X H XX P VF



DIMENSIONS SPECIFIED		APPROVAL	DATE
TOLERANCES	METRIC	DRAWN	06/10/09
U.S.		CHECKED	06/10/09
.X	0.50		
.XX	0.30		
.XXX	0.20		
ANGLES	2°		
FOR MATERIALS AND FINISHES			
SEE DRAWING REMOVE SHARP EDGES			
DIMENSIONS		ANGLE OF PROJECTION	
THIS DRAWING	IN	FIRST ANGLE	
TITLE			
Stamped and Formed contacts, SD series			
SIZE	DRAWING NO.	REV.	
A4	C L717SDXHXXPVF	1	
SCALE	NONE	SHEET 1 OF 1	