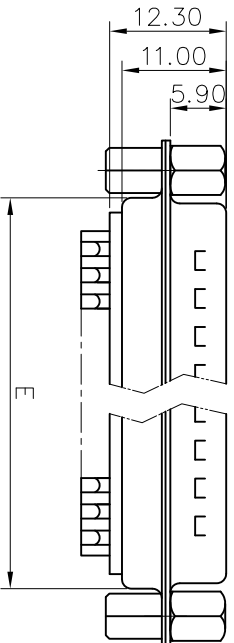
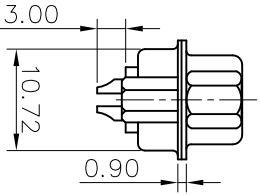
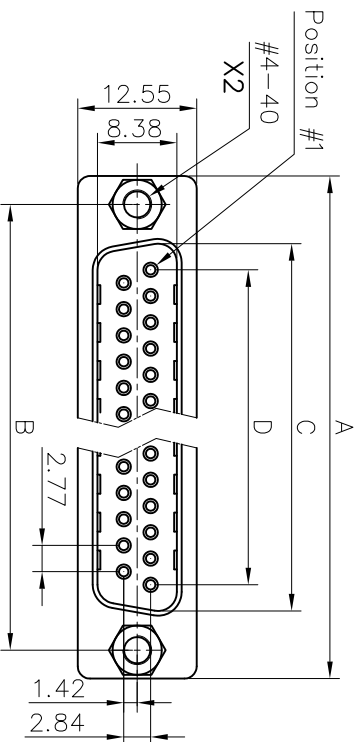


This document is the property of Amphenol Corporation and is delivered on the express condition that it is not to be duplicated, reproduced or used, in whole or in part, without the prior consent of Amphenol Corporation. Amphenol Corporation will not be held responsible for any errors or omissions in this document or to use any information in this document.



Customer drawing

Nb OF CONTACTS	Dimension				
	A	B	C	D	E
9	30.84	24.99	16.92	11.09	19.28
15	39.24	33.32	24.70	19.39	27.51
25	53.04	47.04	38.96	33.24	41.30
37	69.32	63.50	55.42	49.86	57.71

REVISIONS			DATE	APPROVED
SM	EDN	DESCRIPTION		
1			06/10/09	

D-SUB TECHNICAL DATA

SHELL : Steel 100u"min tin over 50u" min nickel
 BODY : Glass filled thermoplastic.
 Flame retardant to UL94 V-0 Color Black

CONTACTS : Brass
 Gold flash over 50u" min nickel on mating area.
 100u" min tin over 50u" min nickel on solder area

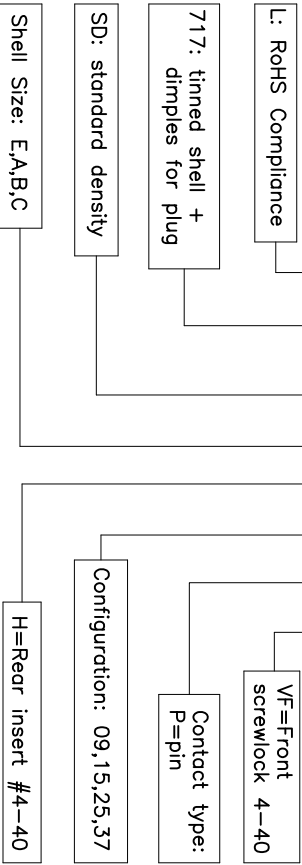
SCREWLOCK :Steel,100u" min nickel plated.
 REAR NUT : Brass,100u" min nickel plated.
 ELECTRICAL: Voltage rating : 250 V Rms to 50 Hz
 Current rating : 3A
 Withstanding Voltage >1000 V Rms to 50 Hz for one minute
 Insulation resistance >5000 M Ohms
 Contact resistance 20 mOhms max.

CLIMATIC : Temperature range -55 °C up to 125°C

MARKING : Amphenol...(Series No.)
 Commercial reference
 Manufacturing date

PRODUCT CODE

L 717 SD X H XX P VF



DIMENSIONS SPECIFIED		APPROVAL	DATE
TOLERANCES	U.S.	DRAWN	Checked and/or /0/09
.X	+/-		
.XX	+/-		
.XXX	+/-		
.XXX	+/-.030	CHECKED	14k. using 06/10/09
ANGLES	+/-		
2"			

FOR MATERIALS AND FINISHES		DRAWING FILE :	
SEE REMOTE SHARP EDGES	DIMENSIONS	ANGLE OF PROJECTION	TITLES
THIRD ANGLE	MM	AS SHOWN	Stamped and Formed contacts, SD series
			Amphenol
SIZE DRAWING NO.	A4	REV.	1
SCALE	NONE	SHEET	1 OF 1