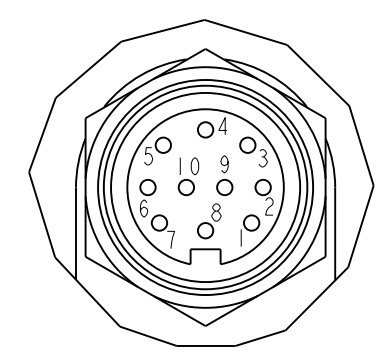
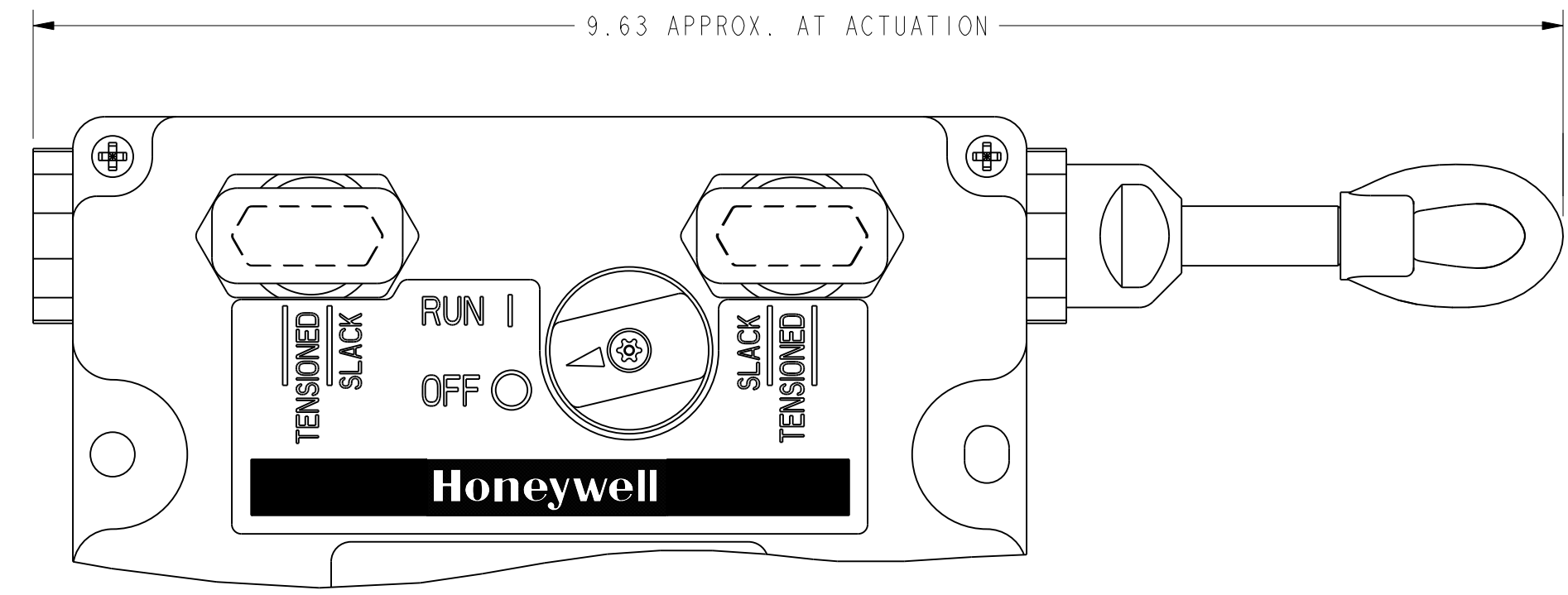
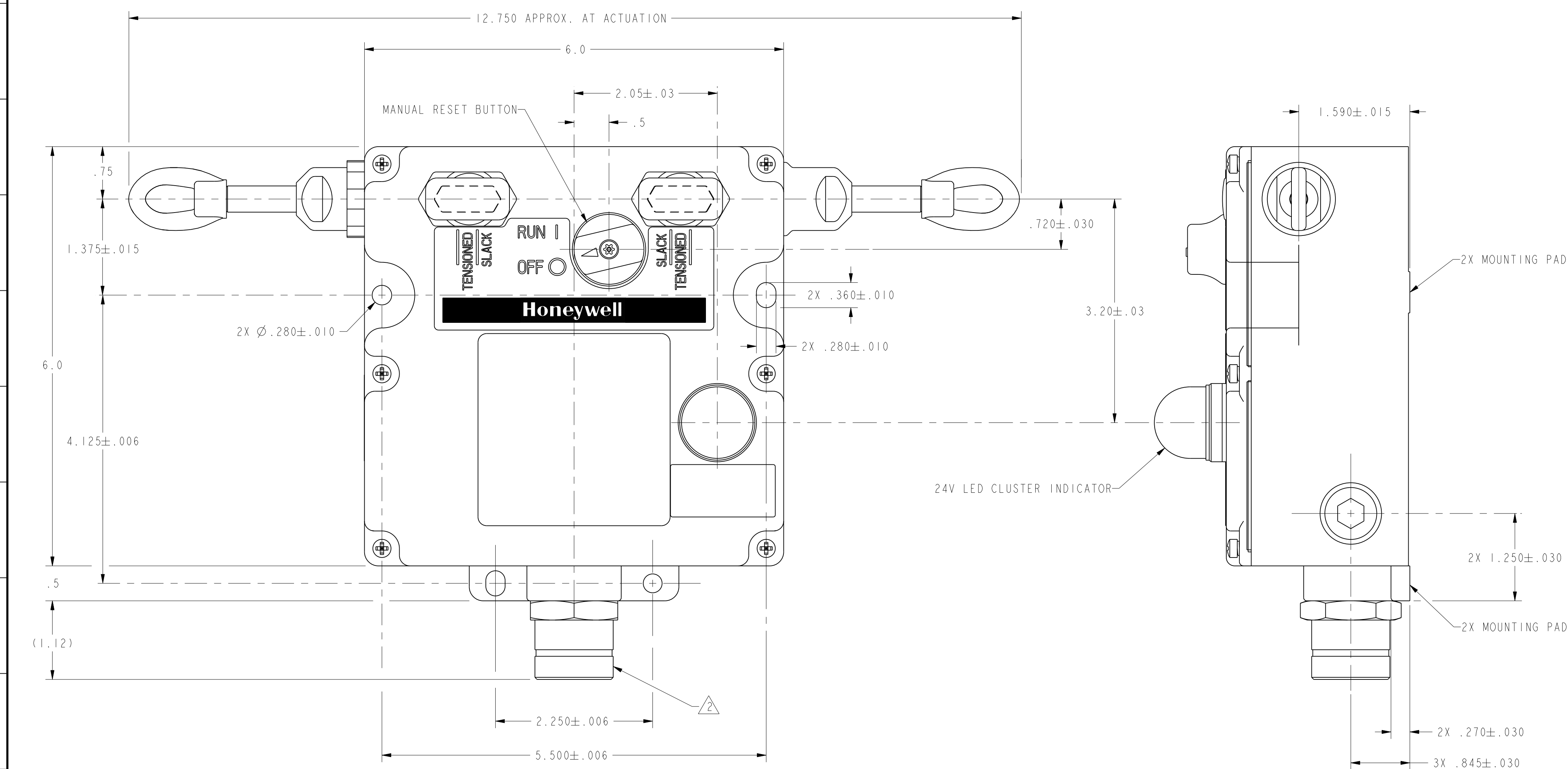
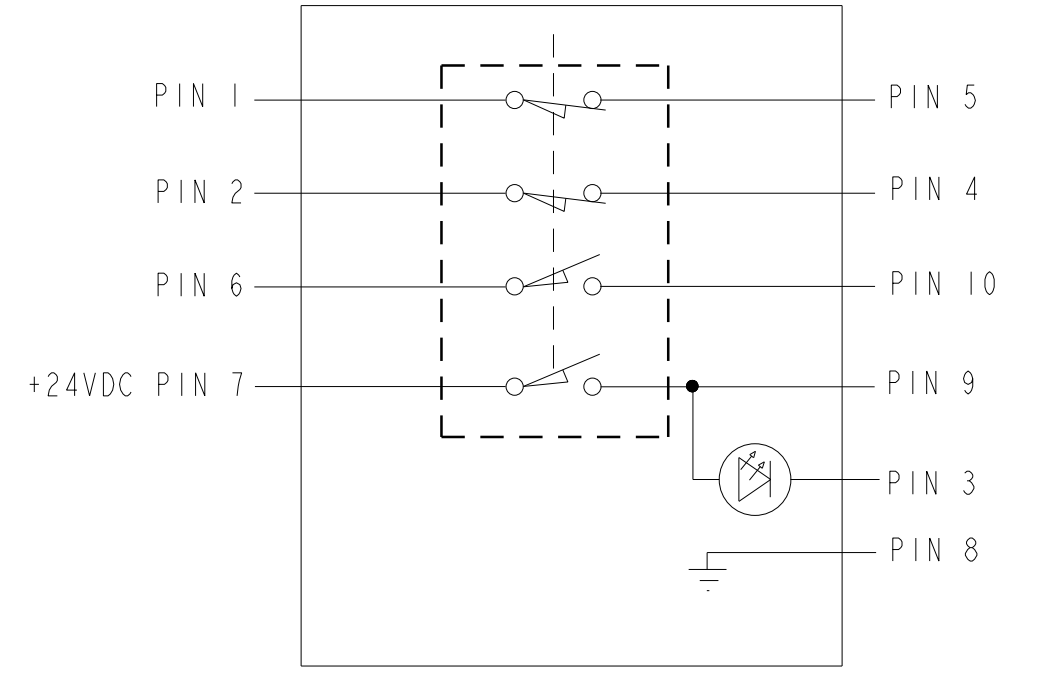
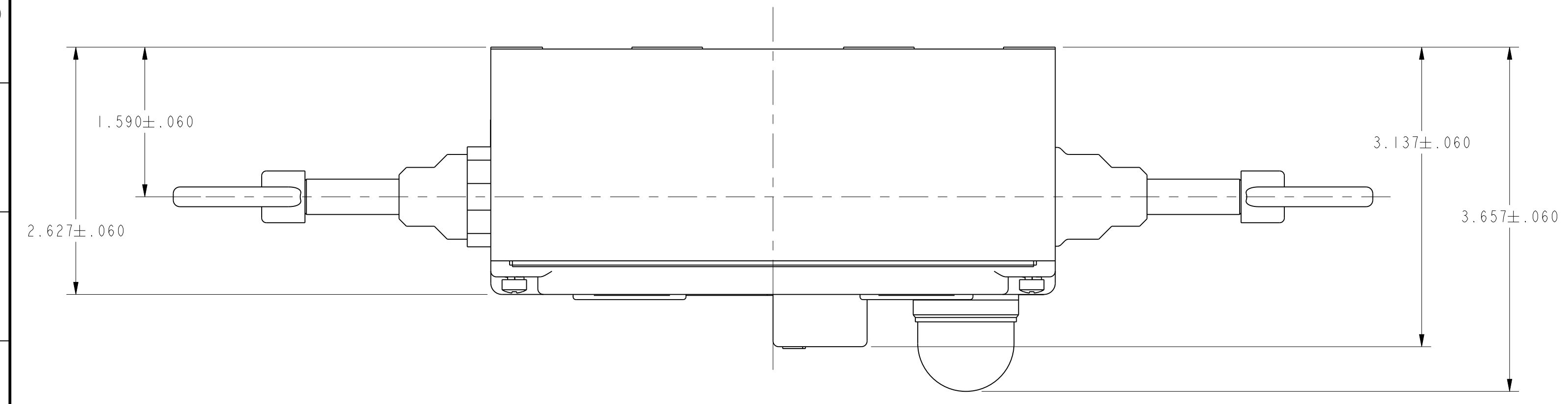


REV	DOCUMENT	CHANGED BY	CHECK
6	0042519	SSK 22AUG08	BLR

2CPSA1A A-FW

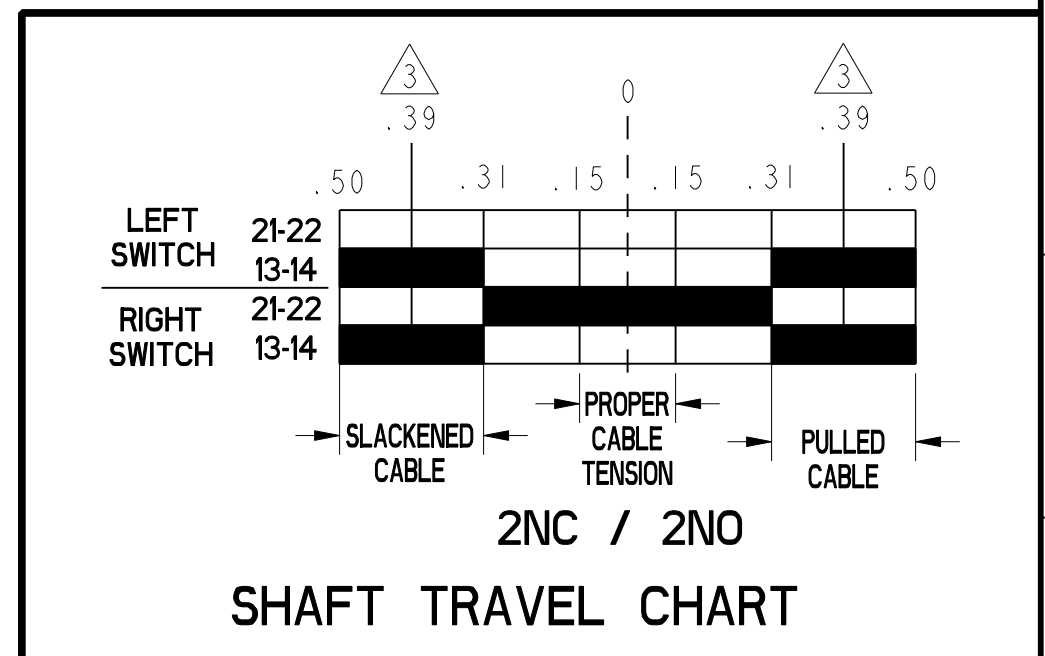
ACTUATION CODE	
1	MAINTAINED BOTH SIDES
2	MAINTAINED LEFT SIDE, NO ACTUATION RIGHT SIDE
3	MAINTAINED RIGHT SIDE, NO ACTUATION LEFT SIDE



- NOTES
- HARDWARE PACKET CONSISTING OF TWO CONDUIT THREAD PLUGS AND ONE "J" HOOK TURNBUCKLE FOR EACH ACTUATOR IS INCLUDED WITH PRODUCT
 - 10-PIN CONNECTOR, BRAD HARRISON PART NUMBER 3R1006A21F010 OR EQUIVALENT POSITIVE OPENING TO IEC/EN60947-5-1
 - FORCE TO MAINTAIN ACTUATION SHAFT AT PROPER TENSION: 25 LBS
 - ACTUATION SHAFT OPERATE FORCE: 40 LBS
 - ELECTRICAL RATING IS FOR PRODUCT WITHOUT CONNECTOR
 - MAXIMUM RATING OF CONNECTOR IS 300V 7A
 - ENVIRONMENTAL SEALING RATINGS ARE FOR PRODUCT WITHOUT CONNECTOR

ELECTRICAL RATING				ENVIRONMENTAL		APPROVALS
AC		DC		IP 67	NEMA 1, 4, 12 & 13	UL CE IEC/EN60947-5-5
A300 U _e	AC15 I _e	Q300 U _e	DC13 I _e	TEMP RANGE:	-40°C TO 85°C -40°F TO 185°F	
(VOLTS) 120 240	(AMPS) 6 3	(VOLTS) 24 125 250	(AMPS) 2.8 -.55 .27	STORAGE:	-40°C TO 85°C -40°F TO 185°F	
I _{th} = 10A				SHOCK:	15G PER IEC 68-2-27	
				VIBRATION:	5G PER IEC 68-2-6	

UNLESS OTHERWISE SPECIFIED TOLERANCES ARE:	AS MANUFACTURED	DATE	21MAY02
NO PLACE	X ±.040 ±.1	DRAWN	TSM
ONE PLACE	.X ±.030 ±.0,4	CHECK	SAV
TWO PLACE	.XX ±.015 ±.0,15		
THREE PLACE	.XXX ±.005 ±		
ANGLES	±		
RAW MATERIAL-COMMERCIAL STANDARD			
THIRD ANGLE PROJECTION		THIS DRAWING COVERS A PROPRIETARY ITEM AND IS THE PROPERTY OF HONEYWELL. THIS DRAWING IS NOT TO BE COPIED OR USED WITHOUT THE PERMISSION OF HONEYWELL.	
DIMENSIONS ARE TO BE MET BEFORE PROTECTIVE COATINGS ARE APPLIED		DRAWN TSM 21MAY02	
PTC 3D ASME Y14.5M-1994		CHECK SAV 21MAY02	



Honeywell			
TITLE SWITCH, ASSEMBLY			
SIZE D	DWG TYPE I	DRAWING NAME 2CPS SERIES CHART 5	REV 6
SCALE 1:1	WEIGHT	SHEET 1	OF 1