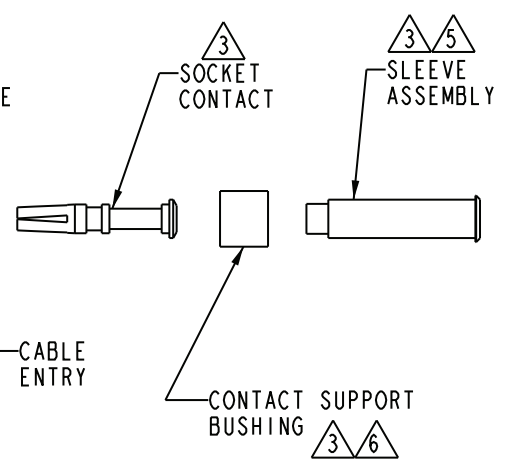
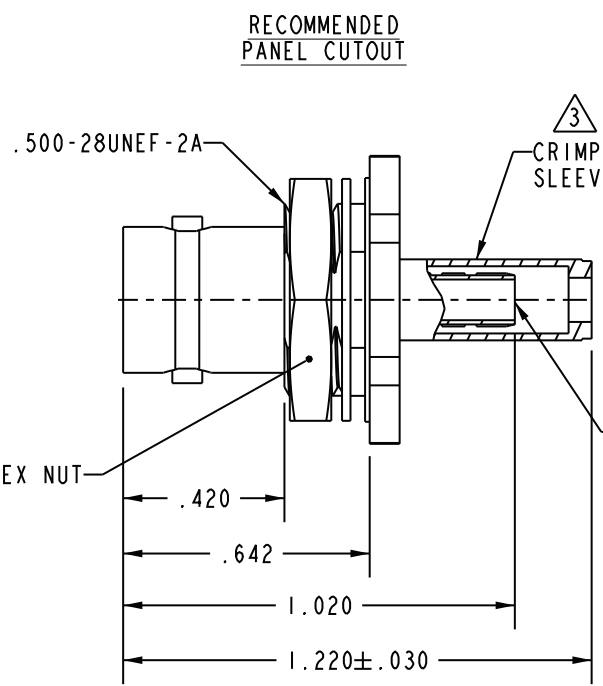
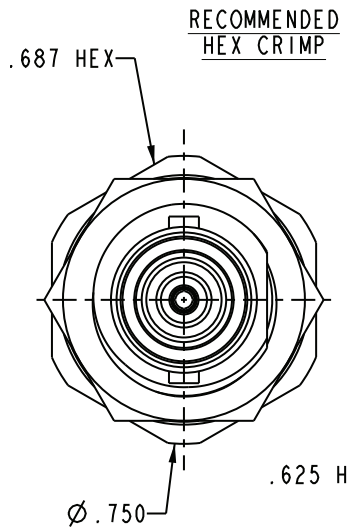
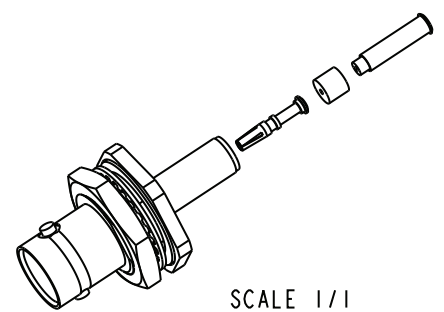
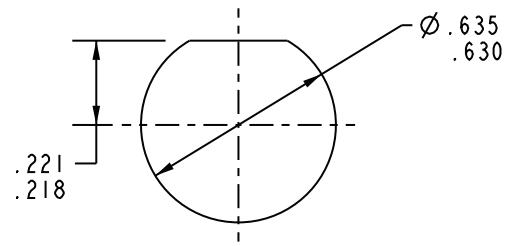
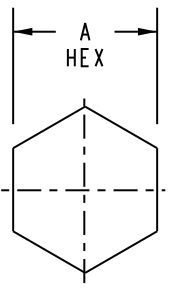


DASH NUMBER	CABLES ACCOMMODATED	A HEX	ASSEMBLE PER
-001	RG-178, -196	.178	TAI-A118
-002	HEWLETT PACKARD 8120-1107	.197	
-003	RG-174, 316	.178	
-004	RG-179, 187		
-005	NORTHERN ELECTRIC DBL-SHLD RG-187	.197	
-006	GC875GPI, GRUMMAN DBL-SHLD RG-188		
-007	275-3991, MICRODOT	.178	
-008	RG-195, -180 421-111, ESSEX		
-009	8218, BELDEN YR23023 BELDEN 21-597, ESSEX		
-011	RG-58; RG-141; RG-303	.213	TAI-C118
-013	RG-59	.255	
-013A	TCC-75-2		
-013B	RG-62	.290	
-014	8212, BELDEN		
-015	730A, AT&T	.324	
-015A	RG-71		
-016	724, AT&T 8281, BELDEN	.344	
-017	RG-6		
-018	9268, BELDEN	.255	
-019	8279, BELDEN		
-020	9248, BELDEN	.213	
-021	88240, BELDEN		
-022	88241, 88269, BELDEN	.255	
-023	89108, BELDEN		
-024	89120, BELDEN	.290	
-025	734A, AT&T		
-026	735A, AT&T	.255	
-027	HS19224L2, AT&T		
		.178	TAI-A118

REVISIONS			
REV	DESCRIPTIONS	DATE	APPROVED
C	REVISED PER ECO 16784		



- △6 CONTACT SUPPORT BUSHING REQUIRED ON -013B, -015A & -22 ONLY
- △5 SLEEVE REQUIRED ON -001 THRU -007 & -027 ONLY
- 4. MAXIMUM PANEL THICKNESS: .100
- △3 CRIMP SLEEVE, SOCKET CONTACT, SLEEVE ASSEMBLY AND CONTACT SUPPORT BUSHING ARE SUPPLIED LOOSE
- 2. RF COAXIAL 75 Ω BNC FULL CRIMP BULKHEAD MOUNT RECEPTACLE
- 1. FINISH: TFS-1A (NICKEL)

NOTES: UNLESS OTHERWISE SPECIFIED.

INTERPRET DRAWING PER MIL-STD-100. DIMENSIONS ARE IN INCHES AND INCLUDE FINISH THICKNESS UNLESS OTHERWISE SPECIFIED.		TOL: UNLESS SPECIFIED. .XX ± .02 .XXX ± .010 ANGLE ± 1°			
DWN R JOHNSON	10-24-08	MATERIAL:	TITLE:		
CHK			UBJ220		
QUALITY		FINISH:			
MANUF		SIZE	CAGE CODE	DRAWING NO.	REV.
APPROVED		△	14949	1-0515	C
NEXT ASSY	PROJ TITLE NO. 1-0515	DO NOT SCALE DWG	SCALE 2/1	DATE 4-11-94	SHEET 1C