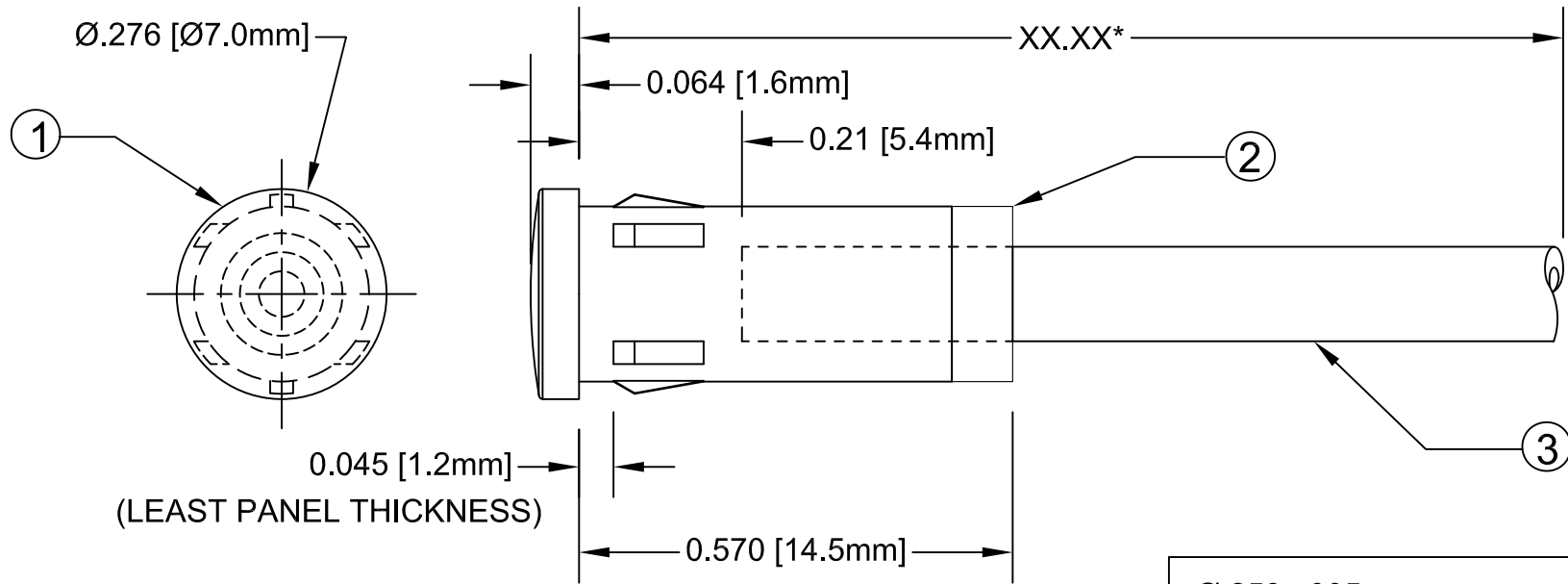


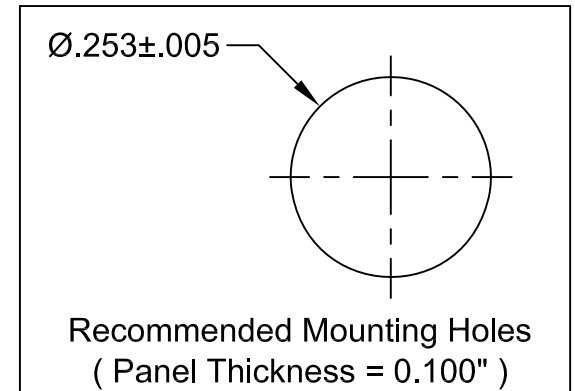
ITEM	Q'TY	PART NUMBER	PART DESCRIPTION
1	1	FLP-LC-5-02	LENS CAP, FLEXIBLE LIGHT-PIPE, BODY
2	1	FLP-LC-5-03	2mm LENS CAP, FLEXIBLE LIGHT-PIPE, INSERT
3	1	FLPS2031-XX.X	2mm LIGHT PIPE CABLE, CUT LENGTH IN INCHES

REV.	DESCRIPTION	DATE	APPROVED
A	Engineering Release	04/20/12	T. Y.



*Length "XX.XX"	Tolerance
2.50" ~ 16.00"	±0.050"
16.25" ~ 40.00"	±0.15"
40.25" ~ 80.00"	±0.30"
80.25" ~ 500.0"	±0.5%

**EXAMPLE:**  
**PM7-C2031-6.50**  
 Series                      Fiber Length in  
    0.25" Increments



STANDARD TOLERANCE ( UNLESS OTHERWISE SPECIFIED )		<b>BIVAR</b> <sup>®</sup>	
DECIMALS	ANGULAR	4 THOMAS, IRVINE, CA. 92618	
.X     ±.1	X°   ± 1°	TEL: (949) 951-8808    FAX: (949) 951-3974	
.XX   ±.02		<b>TITLE:</b> 7mm Circular Lens Flexible Light Pipe FLPS2031 Indicators	
.XXX ±.010		<b>PART NO:</b> PM7-C2031-XX.XX	
DESIGNED: <b>Ty Yin</b>	DATE: <b>04/20/12</b>	REVISION: <b>A</b>	
CHECKED: <b>B. Oliver</b>	DATE: <b>04/20/12</b>	<b>CAGE CODE :</b> 32559	<b>SHEET # 1 OF 1</b>
CAD GENERATED DOCUMENT, DO NOT MEASURE DRAWING.			