

6

5

4

3

2

1

E

E

D

D

C

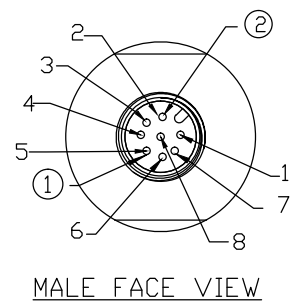
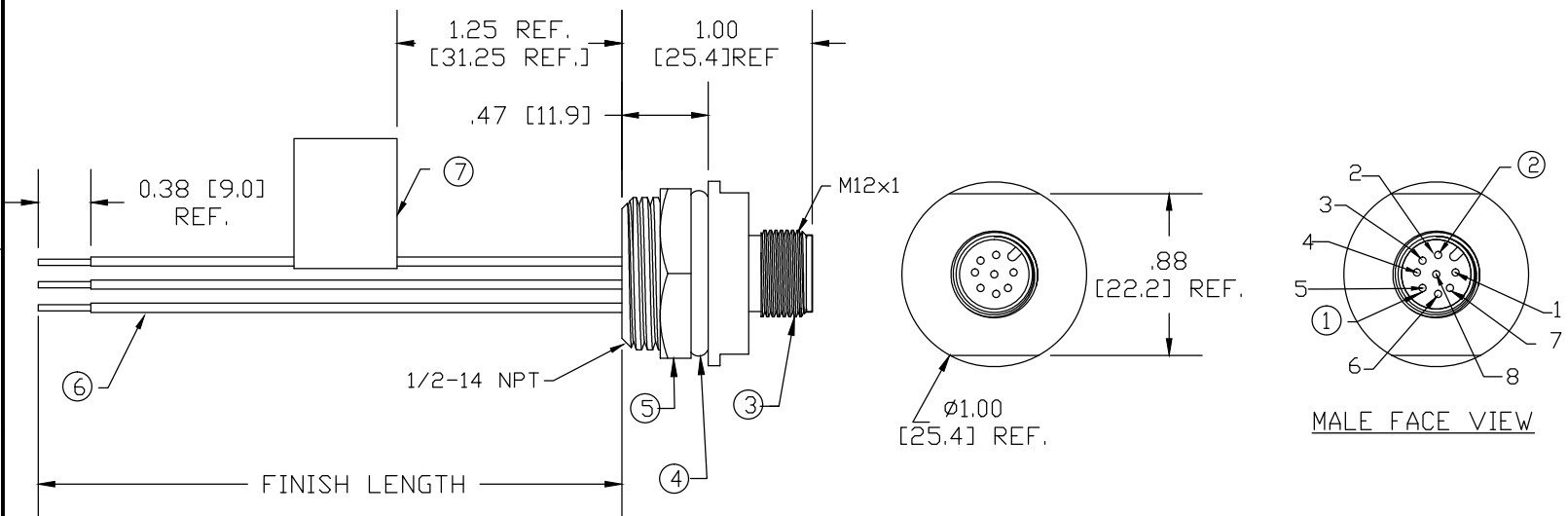
C

B

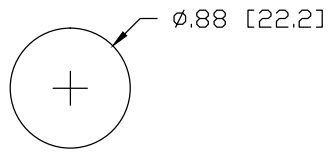
B

A

A



| | |
|---|--------|
| 1 | WHITE |
| 2 | BROWN |
| 3 | GREEN |
| 4 | YELLOW |
| 5 | GRAY |
| 6 | PINK |
| 7 | BKUE |
| 8 | RED |



WIRING DIAGRAM

| ITEM | COMPONENT | MATERIAL | FINISH |
|------|------------------------------|-----------------|--------------------|
| 1 | INSERT | PUR | BLACK |
| 2 | CONTACT PIN | COPPER ALLOY | GOLD OVER NICKEL |
| 3 | RECEPTACLE SHELL | STAINLESS STEEL | PASSIVATED |
| 4 | O-RING | NITRILE | BLACK |
| 5 | LOCKNUT | STEEL | ZINC PLATED |
| 6 | CONDUCTOR -22 AWG, 300 VOLTS | PVC | SEE WIRING DIAGRAM |
| 7 | FLAG LABEL | VINYL | CLEAR/YELLOW |

| | |
|-----------------------|---------------|
| VOLTAGE RATING | 30VAC/36VDC |
| AMPERAGE RATING | 2 AMPS |
| PROTECTION | IP67 |
| OPERATING TEMPERATURE | -20°C TO 80°C |

| MATERIAL NUMBER | ENGINEERING PART NUMBER | FINISHED LENGTH |
|-----------------|-------------------------|-------------------------------------|
| 1200708148 | 8R8006E03M0051 | 1.64FT +1.75 -0.0 [0.5M +44.5 -0.0] |

| | | | | | | | | | | |
|--|---|---------------------------------------|--|-----------------|----------|---|--|-------------------------|--|--|
| EC NO: WNA2011-0425 DRWN: TWOLDEGE 2011/02/07 CHKD: BRUPERT APPR: JFMURPHY 2011/05/06 | QUALITY SYMBOLS $\nabla = 0$ $\nabla C = 0$ | GENERAL TOLERANCES (UNLESS SPECIFIED) | | DIMENSION STYLE | | SCALE | DESIGN UNITS | THIRD ANGLE PROJECTION | | |
| | | | | --- | | 1:1 | INCH | | | |
| | | 4 PLACES | \pm -- | \pm -- | DRAWN BY | DATE | TITLE | | | |
| | | 3 PLACES | \pm -- | \pm -- | TWOLDEGE | 2011/02/07 | MICRO-CHANGE RECEPTACLE 8 POLE MALE | | | |
| 2 PLACES | ± 0.05 | \pm -- | 2 PLACES | ± 0.05 | \pm -- | CHECKED BY | DATE | 1/2-14 NPT SS 22AWG PVC | | |
| 1 PLACE | ± 0.1 | \pm -- | 1 PLACE | ± 0.1 | \pm -- | BRUPERT | 2011/02/07 | MOLEX INCORPORATED | | |
| ANGULAR \pm --° | | | DRAFT WHERE APPLICABLE MUST REMAIN WITHIN DIMENSIONS | | | APPROVED BY | DATE | MATERIAL NO. | | |
| | | | | | | JFMURPHY | 2011/05/06 | SEE CHART | | |
| | | | | | | DOCUMENT NO. | | SHEET NO. | | |
| | | | | | | SD-120070-040 | | 1 OF 1 | | |
| | | | | | | THIS DRAWING CONTAINS INFORMATION THAT IS PROPRIETARY TO MOLEX INCORPORATED AND SHOULD NOT BE USED WITHOUT WRITTEN PERMISSION | | | | |

6

5

4

3

2

1