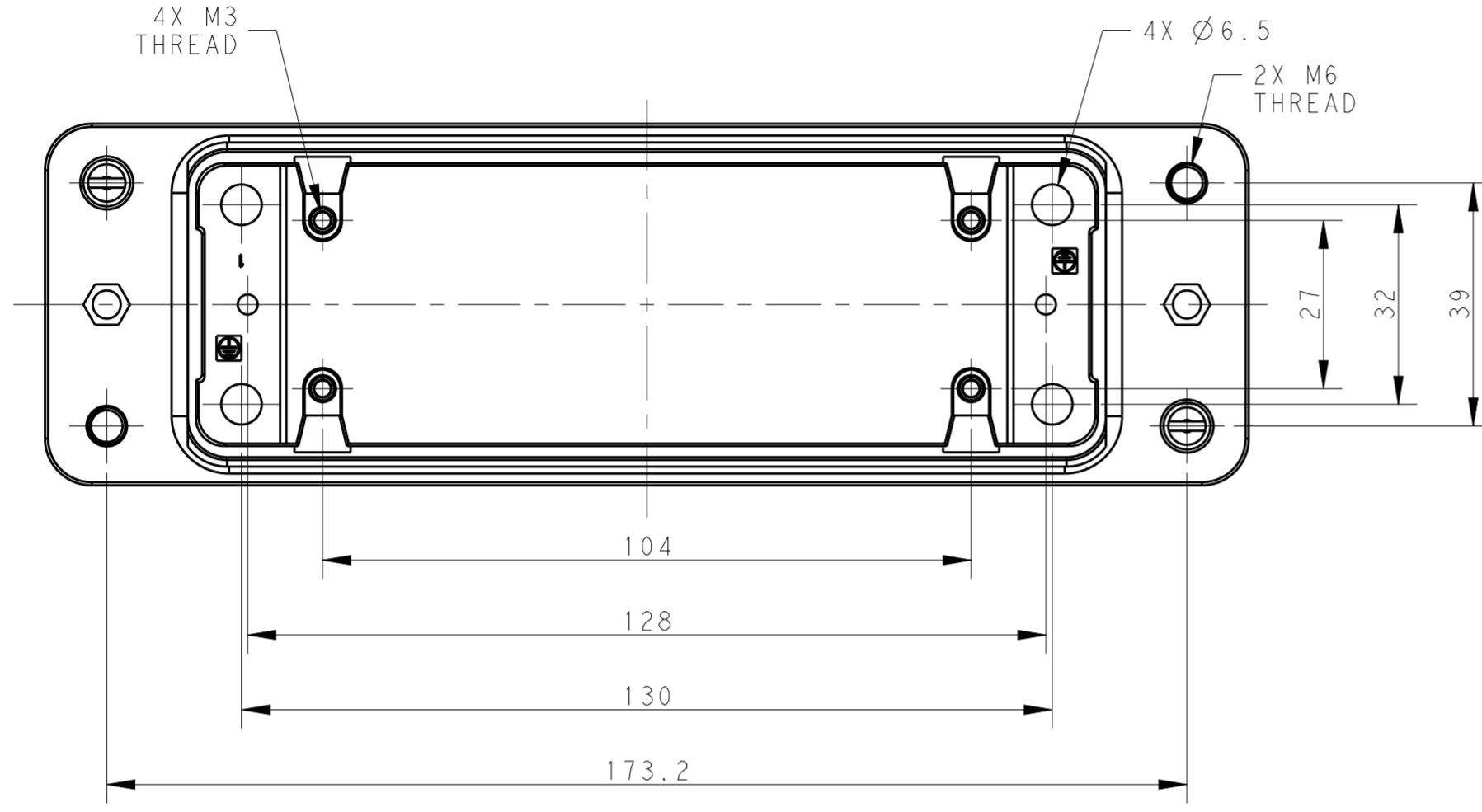


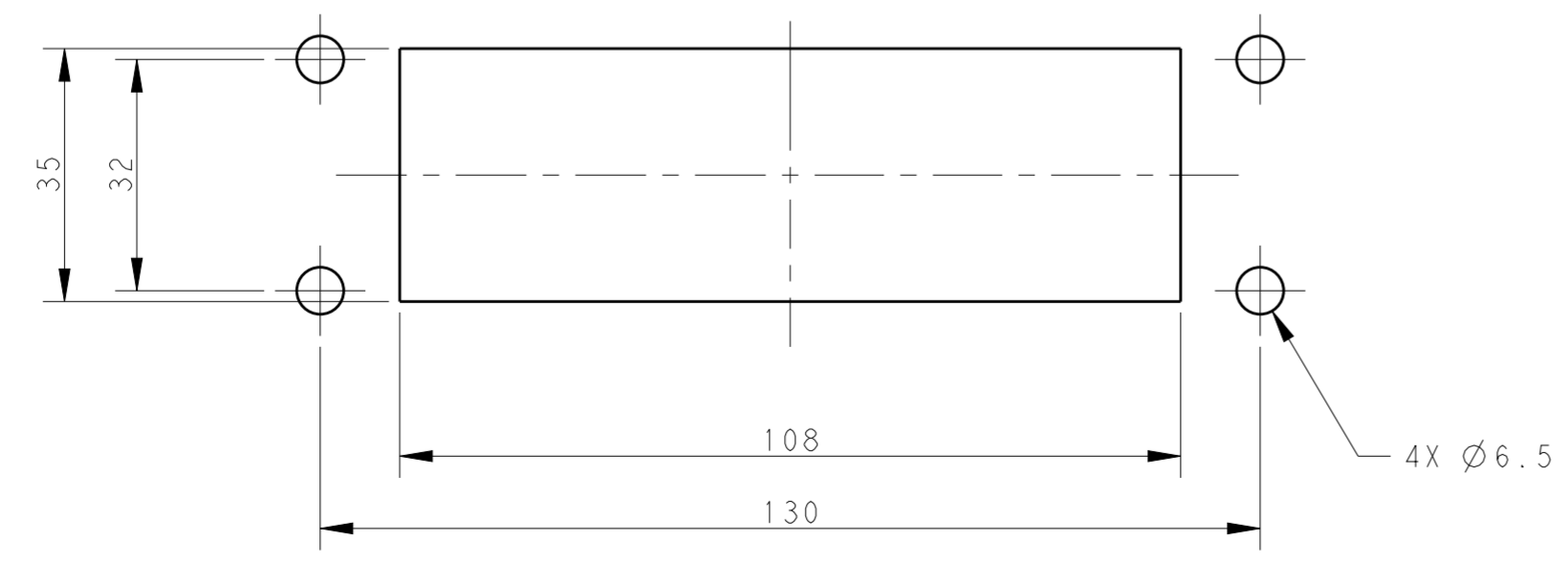
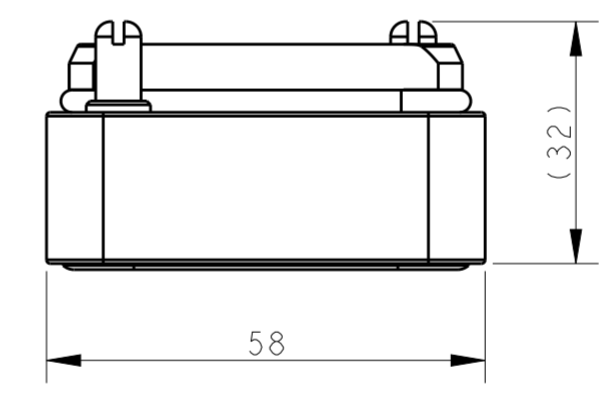
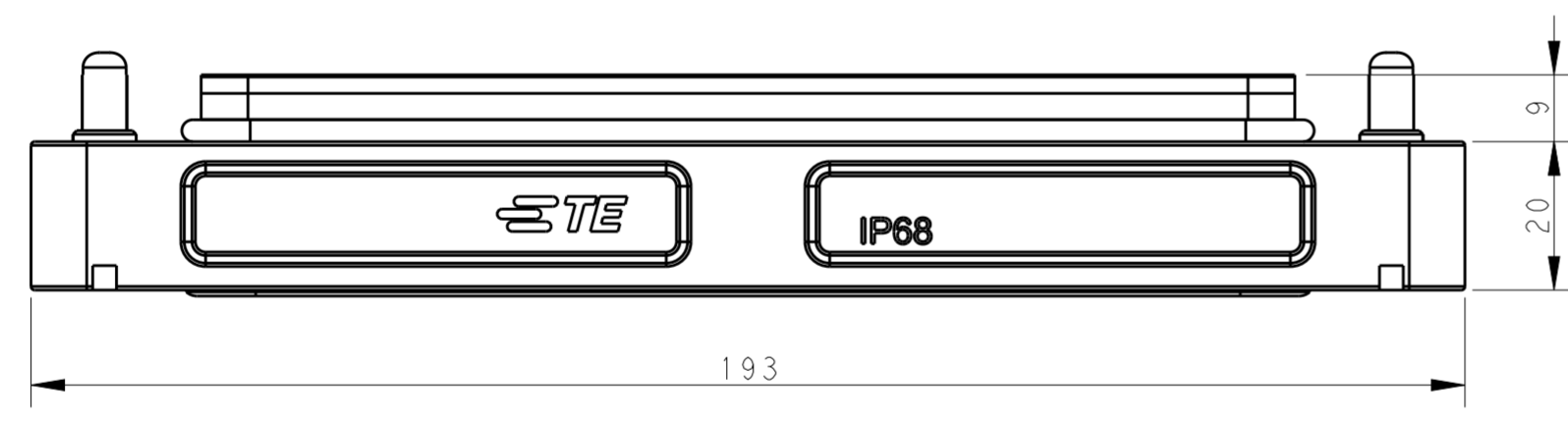
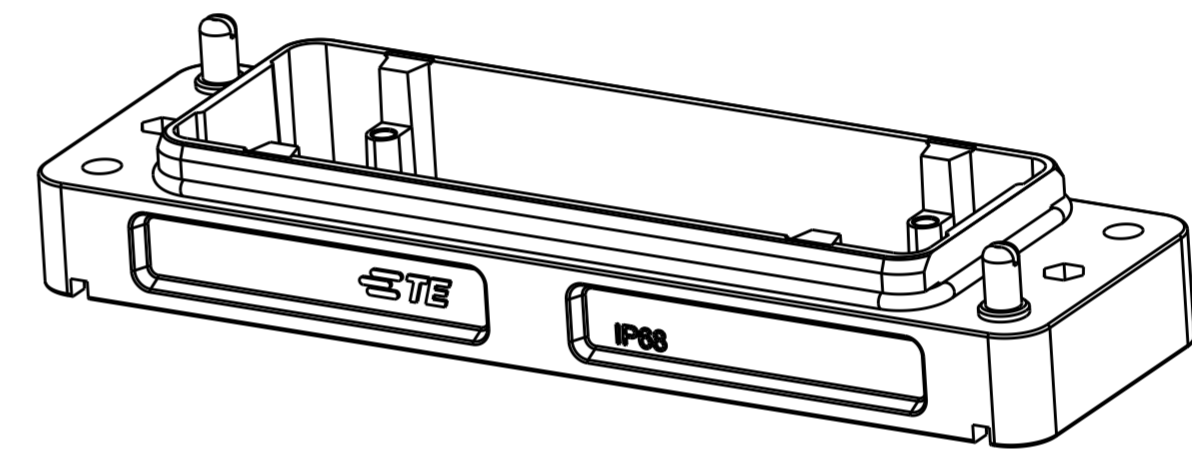
THIS DRAWING IS UNPUBLISHED. RELEASED FOR PUBLICATION  
 © COPYRIGHT copyright.d8Te- ALL RIGHTS RESERVED.

REVISIONS					
P	LTR	DESCRIPTION	DATE	DWN	APVD
	A	INITIAL	17JUN2016	RL	CW
	A1	ECR-16-012141	30AUG2016	RL	CW
	A2	ECR-16-015006	26OCT2016	RL	CW



NOTES:  
 1. TECHNICAL CHARACTERISTICS:  
 HOOD MATERIAL: DIE CAST ALUMINIUM ALLOY  
 SURFACE TREATMENT: POWDER COATED, BLACK  
 DEGREE OF PROTECTION: IP68 (MATED)

注释:  
 1. 技术参数:  
 壳体材料: 铝合金  
 表面处理: 黑色粉末喷涂  
 防护等级: IP68 (配合)



Panel Cut Out

T1936240000-000	H24BPR-AG-4S	H24BPR HOUSING, QUADRANGLED LOCKING, BULKHEAD MOUNTED, POWDER COATED, BLACK H24BPR下壳, 四角锁定, 开孔安装, 黑色粉末喷涂
PART NUMBER 料号	PART DESCRIPTION 描述	

THIS DRAWING IS A CONTROLLED DOCUMENT.		DWN ROY LIU 17JUN2016	TE Connectivity													
DIMENSIONS: mm		CHK KYLE ZENG 17JUN2016														
TOLERANCES UNLESS OTHERWISE SPECIFIED:		APVD CHRIS WANG 17JUN2016														
<table border="1"> <tr><td>0 PLC</td><td>±</td></tr> <tr><td>1 PLC</td><td>±</td></tr> <tr><td>2 PLC</td><td>±</td></tr> <tr><td>3 PLC</td><td>±</td></tr> <tr><td>4 PLC</td><td>±</td></tr> <tr><td>ANGLES</td><td>±</td></tr> <tr><td>FINISH</td><td>-</td></tr> </table>		0 PLC			±	1 PLC	±	2 PLC	±	3 PLC	±	4 PLC	±	ANGLES	±	FINISH
0 PLC	±															
1 PLC	±															
2 PLC	±															
3 PLC	±															
4 PLC	±															
ANGLES	±															
FINISH	-															
MATERIAL: -		NAME: H24BPR-AG-4S	SIZE: A2	CAGE CODE: -	DRAWING NO: T193624000000X	RESTRICTED TO: -										
		SCALE: 1:1	SHEET: 1	OF: 1	REV: A2											