

FSG Series

Force Sensor

DESCRIPTION

The FSG Series Force Sensor provides precise, reliable force sensing performance in a compact commercial-grade package. The sensor features a proven sensing technology that utilizes a specialized piezoresistive micro-machined silicon sensing element. The low power, unamplified, non-compensated Wheatstone bridge circuit design provides inherently stable mV outputs over the 5 N, 10 N, 15 N and 20 N force ranges.

Force sensors operate on the principle that the resistance of silicon-implanted piezoresistors will increase when the resistors flex under any applied force. The sensor concentrates force from the application, through the stainless steel plunger, directly to the silicon-sensing element. The amount of resistance changes in proportion to the amount of force being applied. This change in circuit resistance results in a corresponding mV output level change.

FEATURES AND BENEFITS

- Extremely low deflection (approx. 30 μm typical at Full Scale) helps reduce measurement error
- Low repeatability error ($\pm 0.2\%$ span) improves overall system accuracy
- Low linearity error ($\pm 0.5\%$ span) improves system accuracy over the entire force range
- Low off-center loading errors improves system accuracy due to mechanical misalignment
- Resolution to 0.0098 N improves customer's system accuracy
- Fast response time allows system to make faster decisions which may improve system accuracy
- Low power consumption allows use in battery applications
- High ESD resistance of 8 kV) reduces special handling during assembly

The sensor package design incorporates patented modular construction. The use of innovative elastomeric technology and engineered molded plastics results in overforce capacities of up to three times the rated force.

The stainless steel plunger provides excellent mechanical stability and is adaptable to a variety of applications. Various electric interconnects can accept prewired connectors, printed circuit board mounting, and surface mounting. The unique sensor design also provides a variety of mounting options that include mounting brackets.

POTENTIAL APPLICATIONS

Medical

- Infusion pumps
- Ambulatory non-invasive pumps
- Occlusion detection
- Kidney dialysis machines
- Enteral pumps

Industrial

- Load and compression sensing
- Variable tension control
- Robotic end-effectors
- Wire bonding equipment

FSG Series

Table 1. Performance Characteristics (At 10 ±0.01 Vdc, 25 °C [77 °F].)¹

Characteristic	Unit	FSG005WNPB			FSG010WNPB			FSG015WNPB			FSG020WNPB		
		Min.	Typ.	Max.	Min.	Typ.	Max.	Min.	Typ.	Max.	Min.	Typ.	Max.
Force sensing range	N	0 to 5			0 to 10			0 to 15			0 to 20		
Excitation ²	Vdc	3.3	10	12.5	3.3	10	12.5	3.3	10	12.5	3.3	10	12.5
Null offset ³	mV	-30	0	+30	-30	0	+30	-30	0	+30	-30	0	+30
Null shift ⁴ (25 to 0°, 25 to 50° C)	mV	-	±0.5	-	-	±0.5	-	-	±0.5	-	-	±0.5	-
Span ⁵	mV	310	360	395	310	360	395	310	360	395	310	360	395
Linearity (BFSL) ⁶	% span	-	±0.5	-	-	±0.5	-	-	±0.5	-	-	±0.5	-
Sensitivity ⁷	mV/V/N	6.6	7.2	7.8	3.3	3.6	3.9	2.2	2.4	2.6	1.65	1.8	1.95
Sensitivity shift ⁸ (25 °C to 0°, 25 °C to 50 °C)	% span	-	±5.0	-	-	±5.0	-	-	±5.0	-	-	±5.0	-
Repeatability ⁹	% span	-	±0.2	-	-	±0.2	-	-	±0.2	-	-	±0.2	-
Response time (10 %FS to 90 %FS)	ms	-	0.1	0.5	-	0.1	0.5	-	0.1	0.5	-	0.1	0.5
Input resistance	kΩ	4.0	5.0	6.0	4.0	5.0	6.0	4.0	5.0	6.0	4.0	5.0	6.0
Output resistance	kΩ	4.0	5.0	6.0	4.0	5.0	6.0	4.0	5.0	6.0	4.0	5.0	6.0
Plunger deflection	µm	-	31	-	-	40	-	-	51	-	-	63	-
Overforce ¹⁰	N	-	-	15	-	-	30	-	-	45	-	-	60

Notes:

- All force-related specifications are established using dead weight or compliant force.
- The range of voltage excitation which can be supplied to the product to produce an output which is proportional to force but due to ratiometric errors may not remain within the specified performance limits. Non-compensated force sensors, excited by constant current (1.5 mA) instead of voltage, exhibit partial temperature compensation of span.
- The output signal obtained when the zero force is applied to the sensor. Also known as "null" or "zero".
- The change in the null resulting from a change in temperature. It is not a predictable error as it can shift up and down from unit to unit. Change in temperature causes the entire output curve to shift up or down along the voltage axis.
- The algebraic difference between output signals measured at the upper and lower limits of the operating force range. Also known as "full scale output" or simply "span".
- The maximum deviation of product output from a straight line fitted to output measured over the operating force range. The straight line through a set of points which minimizes the sum of the square of the deviations of each of the points from the straight line.
- The ratio of output signal change to the corresponding input force change. Sensitivity is determined by computing the ratio of span to the specified operating force range multiplied by the supply voltage being used.
- The maximum deviation in sensitivity due to changes in temperature over the operating temperature range, relative to sensitivity measured at 25 °C.
- The maximum difference between output readings when the same force is applied consecutively, under the same operating conditions, with force approaching from the same direction within the operating force range.
- The maximum force which may safely be applied to the product for it to remain in specification once force is returned to the operating force range. Exposure to higher forces may cause permanent damage to the product. Unless otherwise specified, this applies to all temperatures within the operating temperature range.

**CAUTION
EXCEEDING PRODUCT
OVERFORCE RATING**

- Ensure the overforce ratings given in Table 1 are not exceeded during any phase of sensor assembly to the board, as well as during the use of the sensor in the application.
- Failure to comply with these instructions may result in product damage.**

Table 2. Environmental Specifications

Characteristic	Parameter
Operating temperature ¹	-40 °C to 85 °C [-40 °F to 185 °F]
Shock	qualification tested to 150 g
Vibration	qualification tested to 0 Hz to 2 kHz, 20 g sine
MCTF ² (Mean Cycles to Failure)	20 million at 25 °C [77 °F]
Output ratiometric	within supply range

Notes:

- The temperature range over which the product may safely be exposed without excitation or force applied. Under these conditions the product will remain in specification after excursion to any temperatures in this range. Exposure to temperatures beyond this range may cause permanent damage to the product.
- MCTF is a basic measure of reliability for a non-repairable device. It is the mean number of cycles to maximum operating force over which a sensor can be expected to operate until failure. The mean value is determined statistically from a probability distribution for failures based upon test data. MCTF may vary depending on the specific application in which a sensor is utilized.

Force Sensor

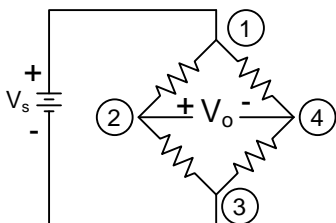
Table 3. Absolute Maximum Ratings¹

Characteristic	Parameter
Storage temperature ²	-40 °C to 100 °C [-40 °F to 212 °F]
Solderability ³	2.5 s at 315 °C [599 °F]
ESD	Meets ESD Sensitivity Classification Level 3B

Notes:

1. The extreme limits that the product can withstand without damage to the product.
2. The temperature range over which the product may safely be exposed without excitation or force applied. Under these conditions, the product will remain in the specification after excursions to any temperature in this range. Exposure to temperatures beyond this range may cause permanent damage to the product.
3. The maximum temperature and duration to which the product may be exposed for processing the solder electrical connections.

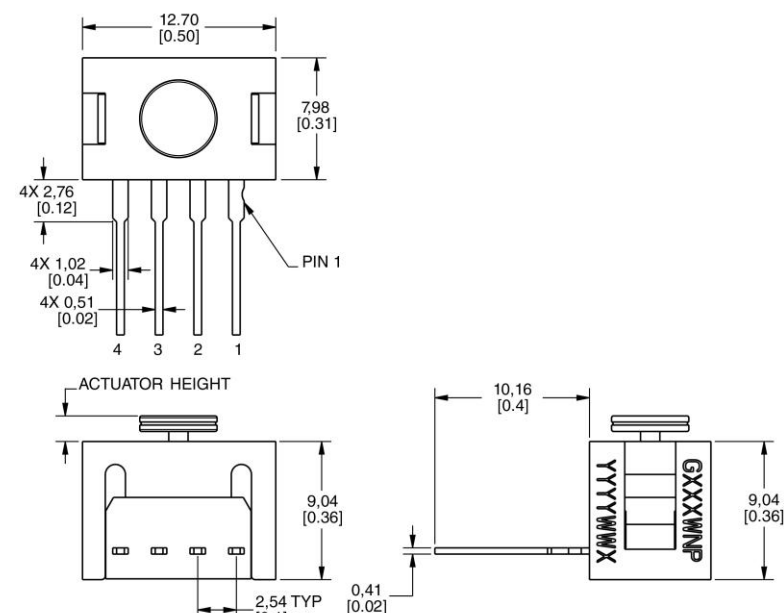
Figure 1. Excitation Schematic (Excitation at 5 Vdc Typ., 6 Vdc max.)



1. Circled numbers refer to sensor terminals (pins).
Pin 1 = Supply Vs (+), Pin 2 = Output Vo (+), Pin 3 = Ground Vg (-), Pin 4 = Output Vo (-)
2. The force sensor may be powered by voltage or current. Maximum supply voltage is not to exceed 6 V. Maximum supply current is not to exceed 1.2 mA. Power is applied across Pin 1 and Pin 3.
3. The sensor output should be measured as a differential voltage across Pin 2 and Pin 4 (Vo = Vo(+) - Vo(-)). The output is ratiometric to the supply voltage. Shifts in supply voltage will cause shifts in output. Neither Pin 2 nor Pin 4 should be tied to ground or voltage supply.

Figure 2. Sensor Mounting Dimensions (For reference only: mm/[in.])

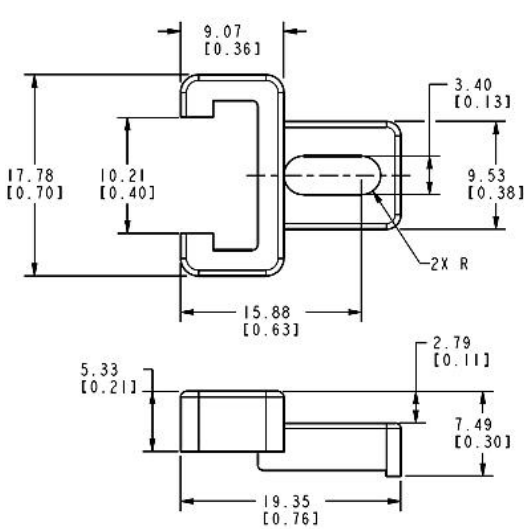
FSG005WNPB, FSG010WNPB, FSG015WNPB, FSG020WNPB



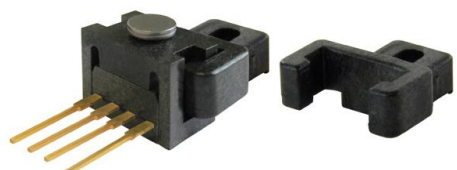
Force Sensing Range	Actuator Height
0 N to 5 N	1,33 ±0.28 mm [0.05 ±0.01 in]
0 N to 10 N	
0 N to 15 N	1,31 ±0.27 mm [0.05 ±0.01 in]
0 N to 20 N	

Figure 3. Plastic Mounting Bracket Mounting Dimensions (For reference only: mm/[in.])

PC15132



Bracket With and Without Sensor



Order Guide

Catalog Listing	Description
FSG005WNPB	FSG Series Force Sensor, 0 N to 5 N force sensing range, blister pack packaging
FSG010WNPB	FSG Series Force Sensor, 0 N to 10 N force sensing range, blister pack packaging
FSG015WNPB	FSG Series Force Sensor, 0 N to 15 N force sensing range, blister pack packaging
FSG020WNPB	FSG Series Force Sensor, 0 N to 20 N force sensing range, blister pack packaging
PC15132	Plastic mounting bracket

WARNING

MISUSE OF DOCUMENTATION

- The information presented in this product sheet is for reference only. Do not use this document as a product installation guide.
- Complete installation, operation, and maintenance information is provided in the instructions supplied with each product.

Failure to comply with these instructions could result in death or serious injury.

WARRANTY/REMEDY

Honeywell warrants goods of its manufacture as being free of defective materials and faulty workmanship. Honeywell's standard product warranty applies unless agreed to otherwise by Honeywell in writing; please refer to your order acknowledgement or consult your local sales office for specific warranty details. If warranted goods are returned to Honeywell during the period of coverage, Honeywell will repair or replace, at its option, without charge those items it finds defective. **The foregoing is buyer's sole remedy and is in lieu of all other warranties, expressed or implied, including those of merchantability and fitness for a particular purpose. In no event shall Honeywell be liable for consequential, special, or indirect damages.**

While we provide application assistance personally, through our literature and the Honeywell web site, it is up to the customer to determine the suitability of the product in the application.

Specifications may change without notice. The information we supply is believed to be accurate and reliable as of this printing. However, we assume no responsibility for its use.

WARNING

PERSONAL INJURY

DO NOT USE these products as safety or emergency stop devices or in any other application where failure of the product could result in personal injury.

Failure to comply with these instructions could result in death or serious injury.

SALES AND SERVICE

Honeywell serves its customers through a worldwide network of sales offices, representatives and distributors. For application assistance, current specifications, pricing or name of the nearest Authorized Distributor, contact your local sales office or:

E-mail: info.sc@honeywell.com

Internet: sensing.honeywell.com

Phone and Fax:

Asia Pacific	+65 6355-2828
	+65 6445-3033 Fax
Europe	+44 (0) 1698 481481
	+44 (0) 1698 481676 Fax
Latin America	+1-305-805-8188
	+1-305-883-8257 Fax
USA/Canada	+1-800-537-6945
	+1-815-235-6847
	+1-815-235-6545 Fax

Sensing and Control
Honeywell
1985 Douglas Drive North
Golden Valley, MN 55422
sensing.honeywell.com

008028-2-EN
February 2013
© 2013 Honeywell International Inc. All rights reserved.

Honeywell