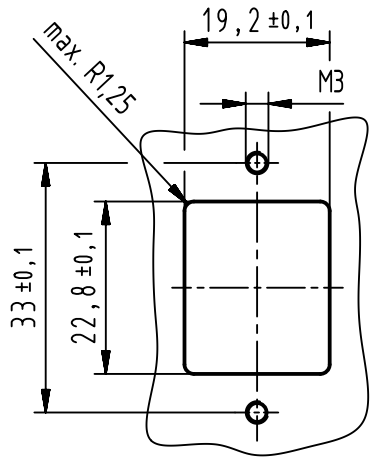
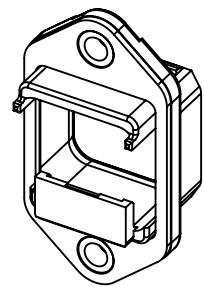
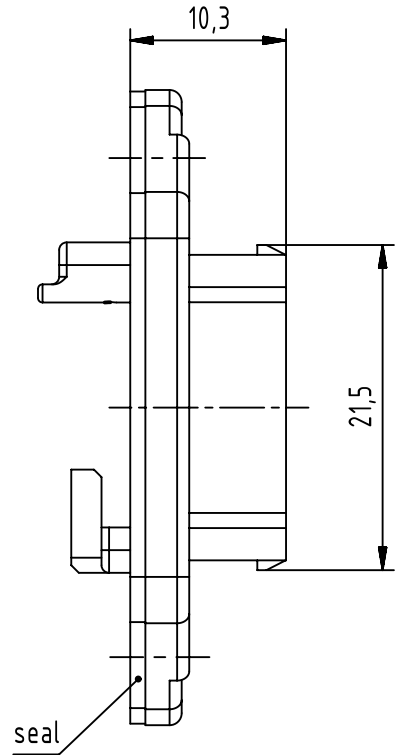
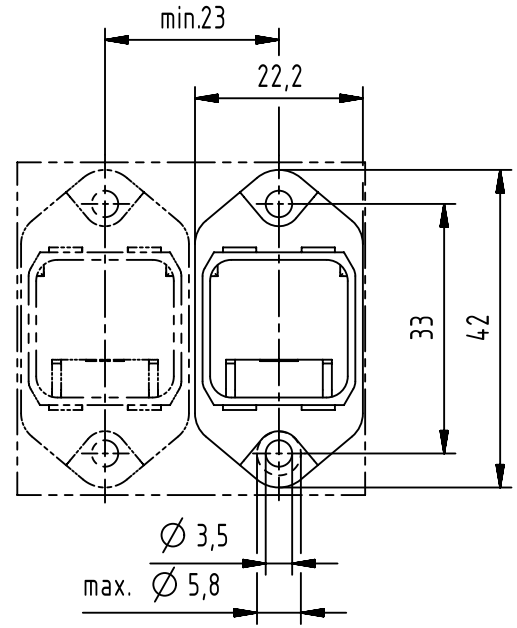


1 2 3 4 5 6

panel cut out
(1:1)



(1:1)



09350020321	1
09350020321XL	100
part-no.	quantity

	All rights reserved Department EC PD - DE	All Dimensions in mm Original Size DIN A4			Scale 2:1	Free size tol.		Ref. Sub. TB 09 35 002 0321 35946 10.12.09			
		HARTING Electronics GmbH D-32339 Espelkamp	Created by ELLERMANN	Inspected by DAHMS	Standardisation HOFFMANN	Date 2013-06-21	State Final Release		Doc-Key / ECM-Nr. 100108172/UGD/003/B 500000063423		
		Title Han PushPull RJ45 agg plastic				Type TB		Number 09350020321		Rev. B	Page 1/1

Mouser Electronics

Authorized Distributor

Click to View Pricing, Inventory, Delivery & Lifecycle Information:

[HARTING:](#)

[09350020321](#)