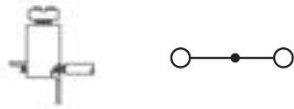
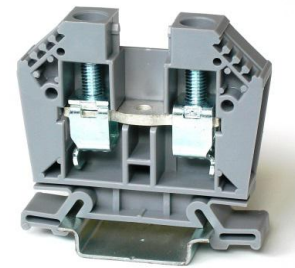


# Euro Feed-through Terminal Block

Article: **10134255-001LF**

Feed-through terminal block - Grey  
Screw connection - 25mm<sup>2</sup> / 4AWG - Width 12 mm



## GENERAL DATA

Series	<b>EURO 16-25</b>
Item	<b>10134255</b>
Weight/Piece	<b>29.4 g</b>
Colour	<b>Grey</b>
Q.ty p.pck.	<b>25</b>
Q.ty p. box	<b>500</b>

## TECHNICAL DATA / DIMENSIONS

### Dimensions

Width mm(in.)	12 (0.46)
Length mm(in.)	56 (2.2)
Height mm(in.)	49 (1.93)
Mounting type (EN 60715)	Omega TH35

### Technical data

Maximum load current	101A
Insulating material	PA 66
Self-extinguishing degree acc. to UL94	V2
Rated surge voltage	8kV
Pollution degree	3
Surge voltage category	III
Insulating material group	I
Nominal Voltage	1000V
Nominal Current	101A
Temperature index, insulating material – Elec. UL 746 B - RTI	130°C
Static insulating material lower permissible temperature	-60°C

### Connection data

Conductor cross-section solid min/max	1.50 / 25 mm <sup>2</sup>
Conductor cross-section stranded min/max	1.50 / 16 mm <sup>2</sup>

# Euro Feed-through Terminal Block

AWG min/max	14-4AWG
Max conductor cross-section stranded with ferrule with plastic sleeve	25 mm <sup>2</sup> / L=18 mm
Stripping length	max 12mm / 0.475in
Screw	M5 – Zinc plated steel
Tightening torque	2.0Nm / 30 Lb-In
Clamp	Zinc plated steel
Current bar	Tin Plated copper alloy

## APPROVALS



RINA

**EN60947-7-1**

25mm<sup>2</sup> – 1000V – 101A

**EN60068-2-11**

Salt mist test for 96 hours

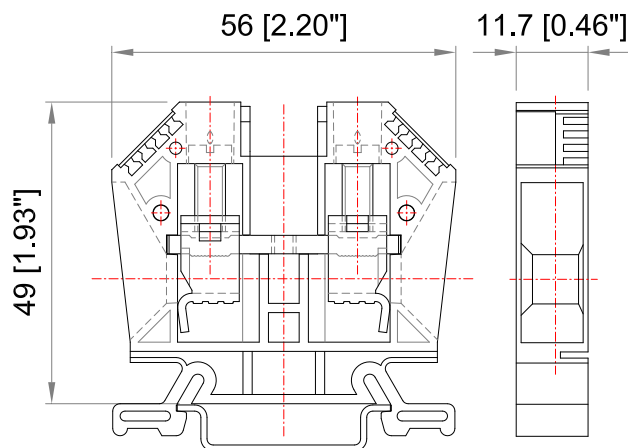


**UL1059**

**SCCR** 100kA

AWG 14-4 – 600V – 85A

## TECHNICAL DRAWINGS



## ACCESSORIES

**Marking**

Item	Description
<b>10134398-001LF</b>	Single-digit marking tag (5 x 3 mm) - white
<b>10134398-002LF ~ 10134398-011LF</b>	Single-digit marking tag (5 x 3 mm) – with marking: 0 ~ 9
<b>10134398-012LF ~ 10134398-036LF</b>	Single-digit marking tag (5 x 3 mm) – with marking: A ~ Z
<b>10134399-001LF</b>	Marking tag adapter – 6 slots for marking tags
<b>10134400-001LF</b>	Marking tags (5 x 12 mm) - white (special marking on request)
<b>10134401-001LF</b>	Marking tags (6 x 12 mm) - white (special marking on request)
<b>10134449-001LF</b>	Tags 6x12mm (39tags x 20cards)

**DIN RAIL system - Mounting and Installation material**

Item	Description
<b>10134392-001LF</b>	Steel Omega rail 35/7,5mm - 2mt length
<b>10134393-001LF</b>	Slotted steel Omega rail 35/7,5mm - 2mt length
<b>10134394-001LF</b>	Steel Omega rail 35/15mm - 2mt length
<b>10134395-001LF</b>	Slotted steel Omega rail 35/15mm - 2mt length
<b>10134387-001LF</b>	Angled support bracket
<b>10134389-001LF</b>	EURO STOP - End bracket width 9
<b>10134390-001LF</b>	EURO STOP - End bracket width 6
<b>10134391-001LF</b>	EURO STOP - Snap-on end bracket width 6

**Additional items**

Item	Description
<b>10134268-001LF</b>	End plate
<b>10134269-001LF</b>	Cover for EURO 16-25
<b>10134266-002LF</b>	Jumper bar (2 poles+100screws) for EURO 16-25, 50pcs
<b>10134266-001LF</b>	Jumper bar (0,5m+42screws) for EURO 16-25