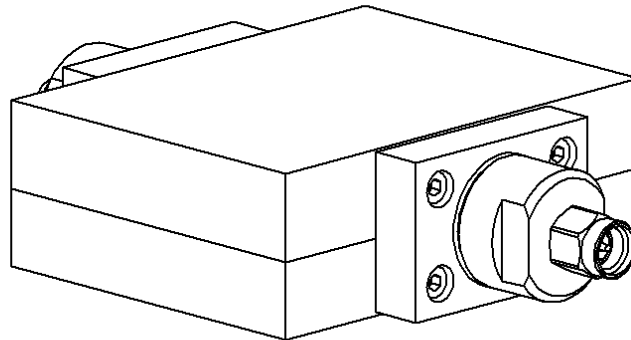
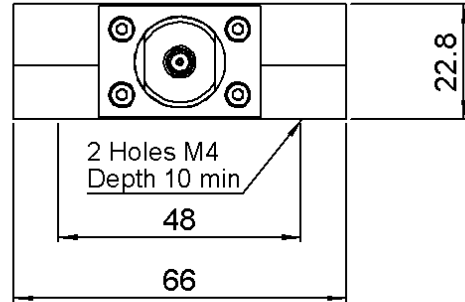
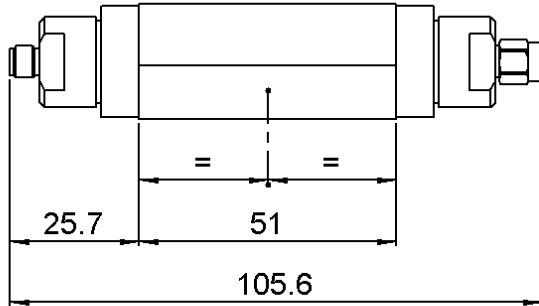


**SMA ATTENUATOR**  
**30 DB 3 GHZ 50W**

**R417.130.130**  
Series : **ATTENUATOR**



All dimensions are in mm.



| COMPONENTS            | MATERIALS        | PLATING(μm)           |
|-----------------------|------------------|-----------------------|
| BODY                  | STAINLESS STEEL  | PASSIVATION           |
| MALE CENTER CONTACT   | BERYLLIUM COPPER | GOLD 1.3 OVER NICKEL2 |
| FEMALE CENTER CONTACT | BERYLLIUM COPPER | GOLD 1.3 OVER NICKEL2 |
| OUTER CONTACT         |                  |                       |
| INSULATOR             | PTFE             |                       |
| GASKET                | SILICONE RUBBER  |                       |
| SUBSTRATE             | ALUMINA          |                       |
| RESISTOR              | THICK FILM       |                       |
| OTHERS PARTS          | ALUMINIUM        | BLACK PAINTING        |

Issue : 0842 A

In the effort to improve our products, we reserve the right to make changes judged to be necessary.



**SMA ATTENUATOR**  
**30 DB 3 GHZ 50W**

**R417.130.130**  
Series : ATTENUATOR

**ELECTRICAL CHARACTERISTICS**

|                 |        |       |       |
|-----------------|--------|-------|-------|
| Frequency (GHz) | DC - 1 | 1 - 2 | 2 - 3 |
| V.S.W.R (≤)     | 1.10   | 1.25  | 1.35  |
| Deviation(±dB)  | 2      | 2     | 2     |

|   |        |                       |
|---|--------|-----------------------|
| Operating Frequency Range   | DC - 3 | GHz                   |
| Impedance   | 50     | Ω                     |
| Nominal Attenuation   | 30     | dB                    |
| Peak power at 25°C (1μs, 1%)  | 5000   | W                     |
| Average power at 25°C   |        | W (Free Air Cooled)   |
|   | 50     | W (Conduction Cooled) |
| For conduction cooling, a plate 500 cm <sup>2</sup> x 3 mm(78 sq.in*1/8) min. is required |        |                       |

**MECHANICAL CHARACTERISTICS**

|            |            |             |             |
|------------|------------|-------------|-------------|
| Connectors | SMA        | Male Female | MIL-C 39012 |
| Weight     | 278,3000 g |             |             |

**ENVIRONMENTAL CHARACTERISTICS**

|                             |              |
|-----------------------------|--------------|
| Operating temperature range | -55 /+125 °C |
| Storage temperature range   | -55 /+125 °C |



**SPECIFICATION**

**OTHER CHARACTERISTICS**

Issue : 0842 A

In the effort to improve our products, we reserve the right to make changes judged to be necessary.

