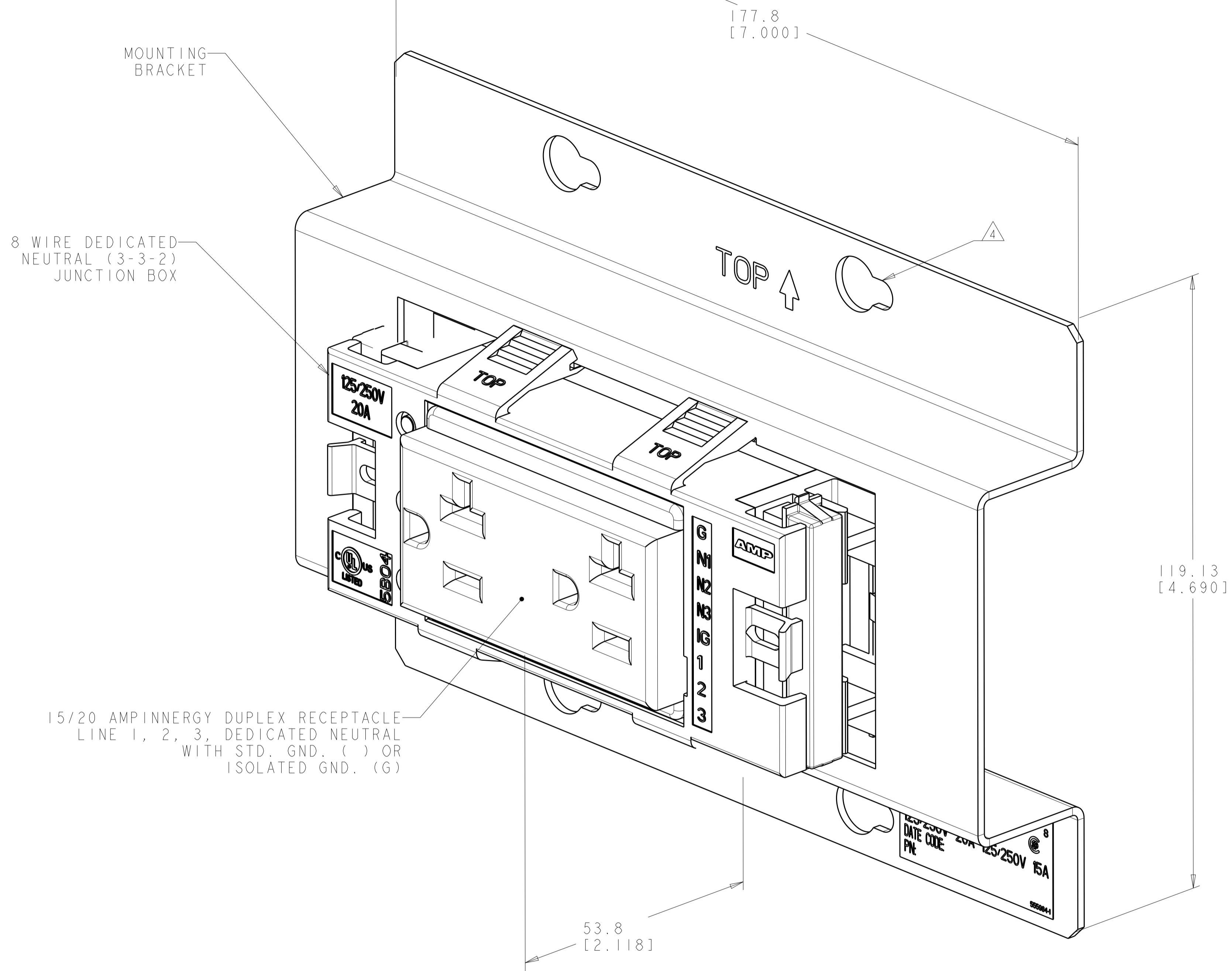
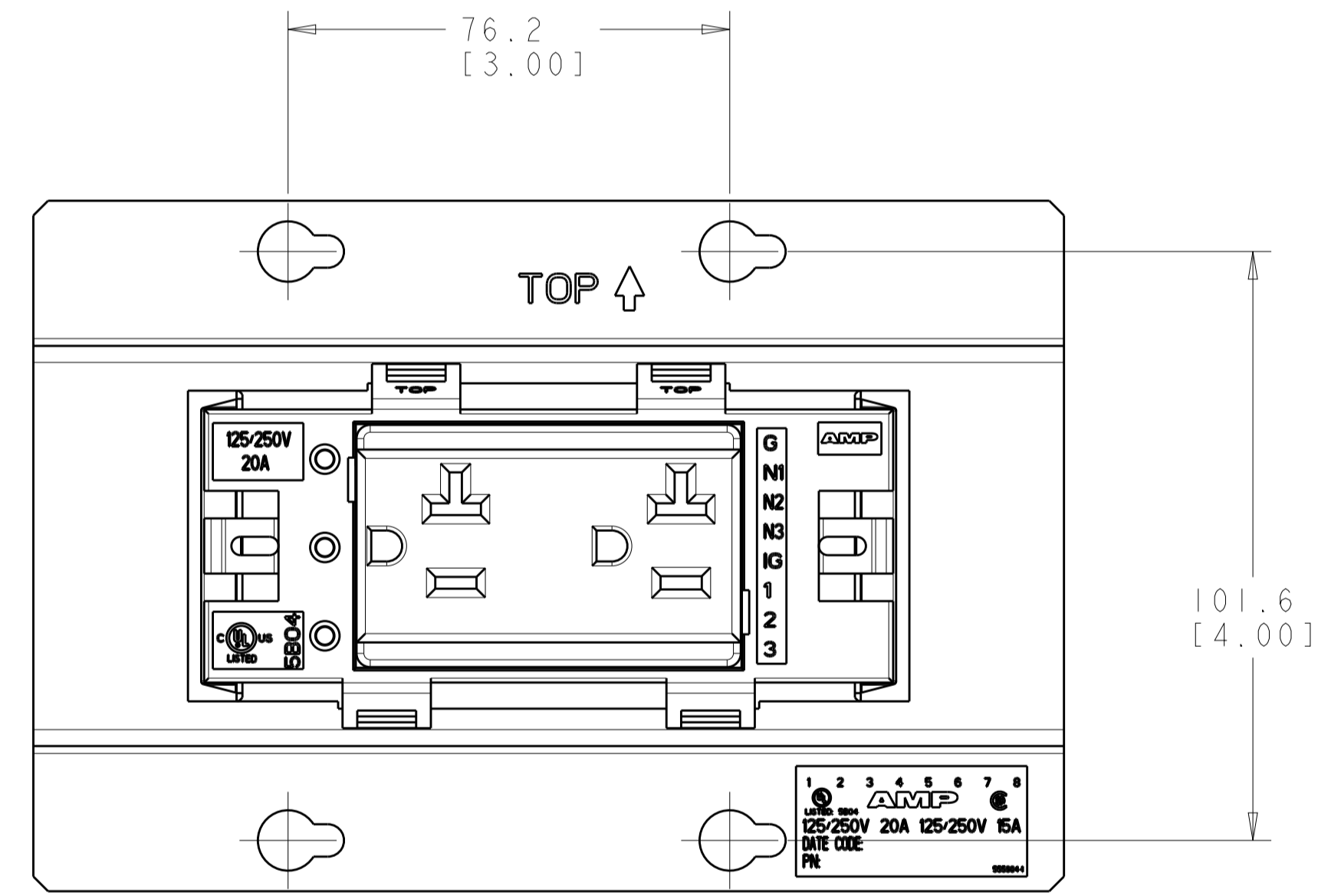


REVISIONS				
P.	LTN.	DESCRIPTION	DATE	APP'D.
A	RLSD;	NPR NSD07-105	18JAN2008	GG SJ
B	REV PER	ECO-14-004513	08APR2014	JB MS



- ⚠ ALL DIMENSIONS ARE NOMINAL UNLESS OTHERWISE SPECIFIED.
- ⚠ POWER STRIP IS WIRED PER ELECTRICAL SCHEMATIC.
- ⚠ MATERIAL:  
 JUNCTION BOX HOUSINGS - POLYCARBONATE, UL 94V-0, BLACK.  
 JUNCTION BOX DUST COVER - 6/6, UL 94V-0 RATED.  
 JUNCTION BOX CONTACTS - COPPER ALLOY SELECTIVELY TIN-PLATED AND SILVER PLATED 0.00508 [0.00200] MINIMUM THICKNESS.  
 POWER STRIP BRACKET - ZINC PLATED CARBON STEEL.
- ⚠ APPLICATION:  
 AMPINNERGY - MODULAR POWER DISTRIBUTION SYSTEM, A MANUFACTURED WIRING SYSTEM.  
 THE POWER STRIP IS DESIGNED TO BE MOUNTED USING THE KEYHOLE PATTERN IN THE MOUNTING BRACKET WITH CUSTOMER SUPPLIED FASTENERS, 4 PLACES.

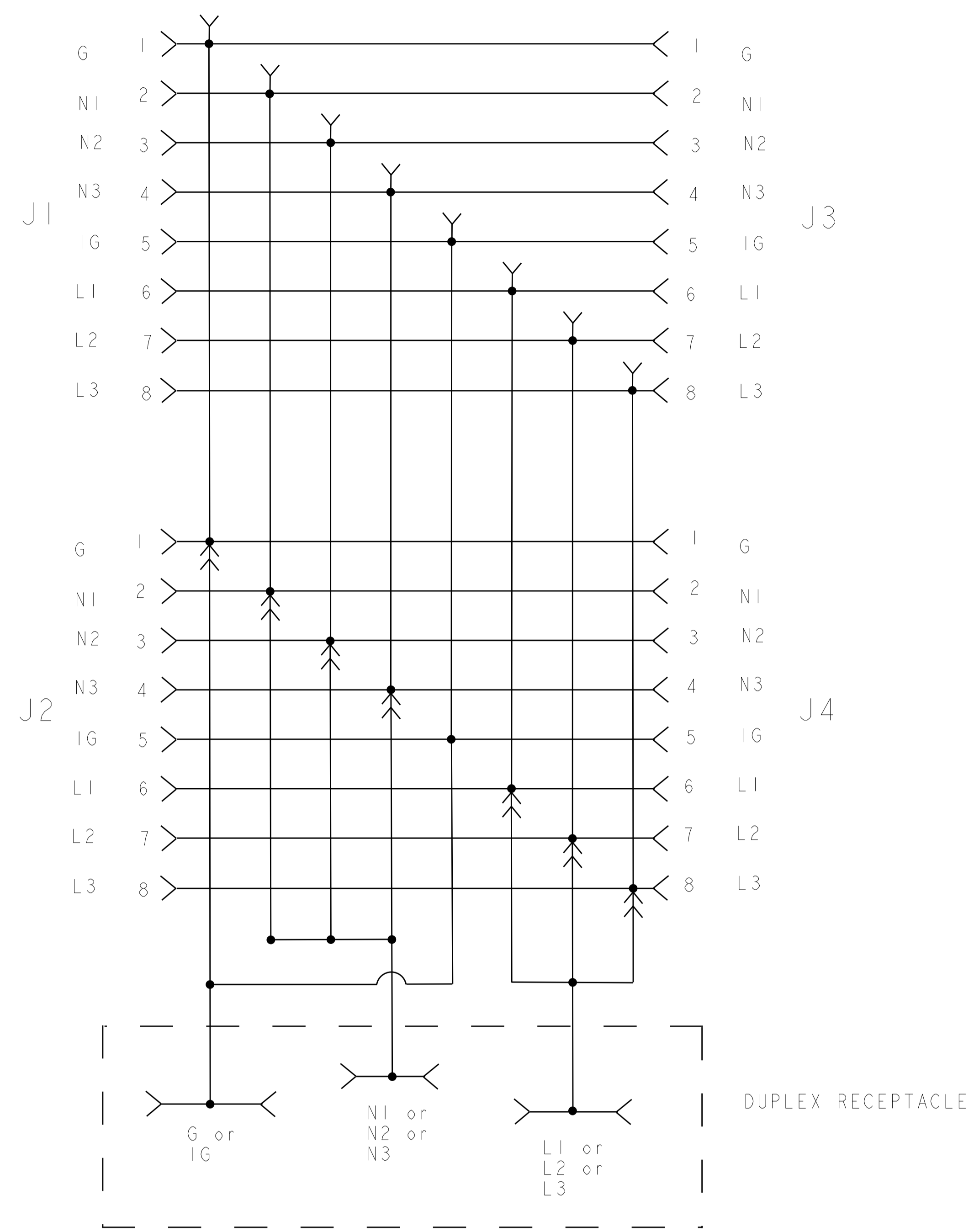


SUGGESTED MOUNTING PATTERN ⚠

	BLANK	9-1933413-9
<b>OBSOLETE</b>	LINE 3G	1933413-7
<b>OBSOLETE</b>	LINE 2G	1933413-6
<b>OBSOLETE</b>	LINE 1G	1933413-5
	LINE 3	1933413-3
	LINE 2	1933413-2
	LINE 1	1933413-1
	DESCRIPTION	PART NUMBER

THIS DRAWING IS A CONTROLLED DOCUMENT.		DWN: G. GARRETT 18JAN2008	TE Connectivity
DIMENSIONS: MM [INCHES]		CHK: S. JONES 18JAN2008	
TOLERANCES UNLESS OTHERWISE SPECIFIED:		APP'D: S. JONES 18JAN2008	NAME: POWER STRIP, KEYHOLE MOUNT, 1 PORT, 3-3-2
0 PLC ±	1 PLC ±	PRODUCT SPEC	SIZE: A1
2 PLC ±	3 PLC ±	APPLICATION SPEC	CAGE CODE: 1933413
4 PLC ±	ANGLES ±	WEIGHT	RESTRICTED TO: -
MATERIAL: 3	FINISH: 3	CUSTOMER DRAWING	SCALE: 2:1 SHEET 1 OF 2 REV B

REVISIONS				
P.	LTN	DESCRIPTION	DATE	APVD
--		SEE SHEET 1	-	-



ELECTRICAL SCHEMATIC FOR  
 8-WIRE, DEDICATED NEUTRAL (3-3-2)  
 POWER STRIP  $\Delta$

BLANK	BLANK/BLANK	BLANK/BLANK	BLANK	9-1933413-9
ISOLATED	N3/4	3G/8	15/20	1933413-7
ISOLATED	N2/3	2G/7	15/20	1933413-6
ISOLATED	N1/2	1G/6	15/20	1933413-5
STANDARD	N3/4	L3/8	15/20	1933413-3
STANDARD	N2/3	L2/7	15/20	1933413-2
STANDARD	N1/2	L1/6	15/20	1933413-1
GROUND TYPE	NEUTRAL NO./CONTACT NO.	LINE NO./CONTACT NO.	AMPERAGE	PART NO.
DUPLEX RECEPTACLE CONNECTIONS				

THIS DRAWING IS A CONTROLLED DOCUMENT.		DWN G. GARRETT 18JAN2008	TE Connectivity	
DIMENSIONS: MM [INCHES]		CHK S. JONES 18JAN2008		
TOLERANCES UNLESS OTHERWISE SPECIFIED:		APVD S. JONES 18JAN2008	NAME POWER STRIP, KEYHOLE MOUNT, 1 PORT, 3-3-2	
0 PLC ± 1 PLC ± 2 PLC ± 3 PLC ± 4 PLC ± ANGLES ±		PRODUCT SPEC	RESTRICTED TO	
MATERIAL		APPLICATION SPEC	SIZE A1	CAGE CODE -
FINISH		WEIGHT	DRAWING NO. C=1933413	REV B
		CUSTOMER DRAWING	SCALE 1:2	SHEET 2 OF 2