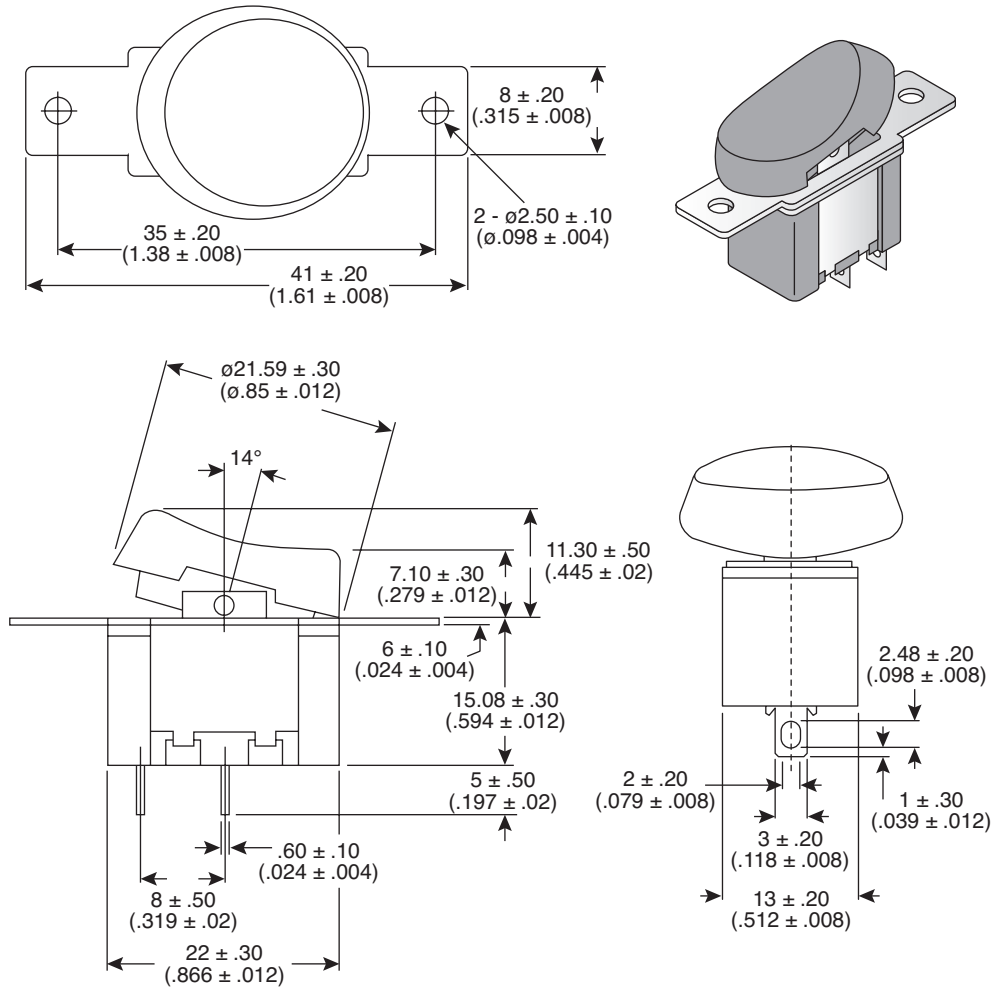


Dimensions: mm (In.)



Electrical Specifications:

- Rating: 8A / 125VAC, 6A / 250VAC
- Contact Resistance: 50m Ω max.
- Insulation Resistance: 500 VDC 100M Ω min.
- Dielectric Strength: 1500 VAC 1 minute

Mechanical Specifications:

- Circuit: 2P SPST On-Off

Note:

- RoHS Compliant by Exemption

Rocker Switch
103-7060-EVX

