

NOTES:

1. 0.126 [3,2] MAX. PANEL THICKNESS.

2. MATERIALS:

- BODY - BRASS, NICKEL OR GOLD PLATED
- TIP TERMINAL - BRASS, NICKEL PLATED
- INSULATOR - ABS
- NUT - BRASS, NICKEL PLATED
- WASHER - STEEL, NICKEL PLATED
- BODY TERMINAL - BRASS NICKEL PLATED

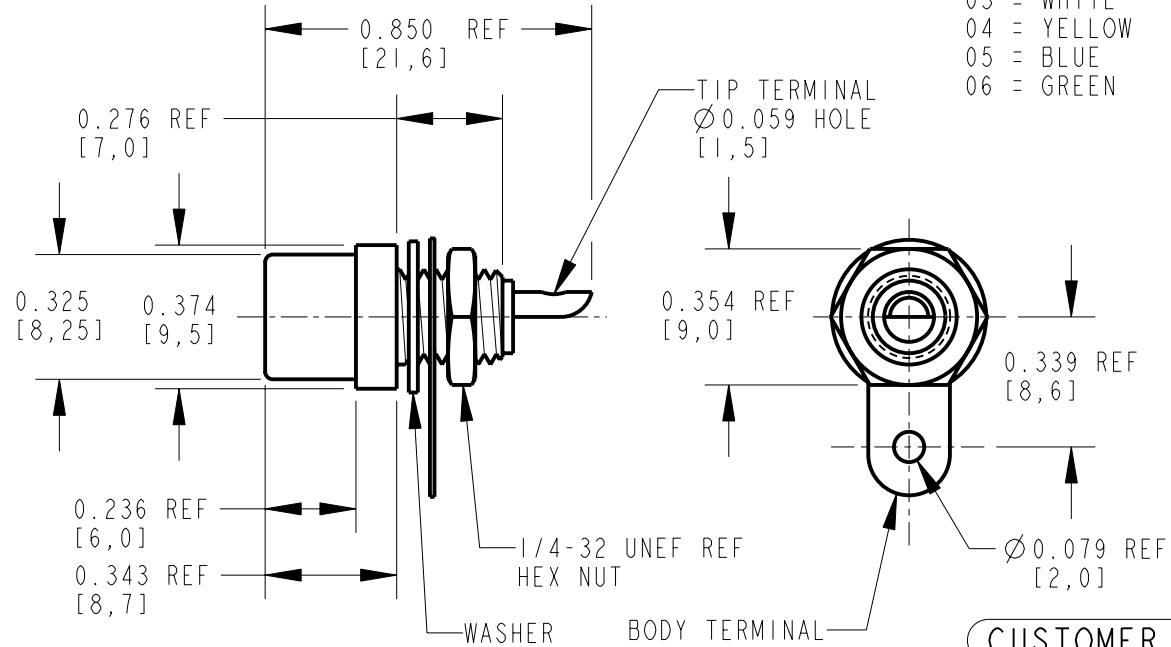
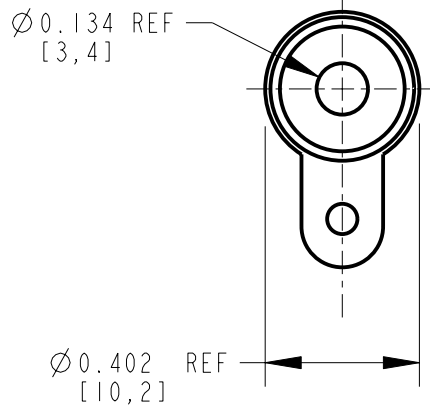
3. THIS PRODUCT IS RoHS COMPLIANT.

BPJ BULKHEAD PHONO JACK
F FRONT MOUNT
01
AU PLATING
X RoHS COMPLIANT

PLATING
 AU = GOLD
 BLANK = NICKEL

INSULATOR COLOR

- 01 = BLACK
- 02 = RED
- 03 = WHITE
- 04 = YELLOW
- 05 = BLUE
- 06 = GREEN



CUSTOMER DRAWING

★ STAR SYMBOL DENOTES CRITICAL DIMENSION

THIS DRAWING DESCRIBES A DESIGN CONSIDERED PROPRIETARY IN NATURE, DEVELOPED AND MANUFACTURED BY SWITCHCRAFT INC. AND IS RELEASED ON A CONFIDENTIAL BASIS FOR IDENTIFICATION PURPOSES ONLY.

UNLESS OTHERWISE SPECIFIED

SIZE	WIDTH	MULT	LBS/M	TEMPER
------	-------	------	-------	--------

1. ALL DIMENSIONS IN INCHES
 - TWO PLACE DECIMALS ±0.01
 - THREE PLACE DECIMALS ±0.005
 - ANGLES ±1°
 - ALL DIA. CONCENTRIC WITHIN 0.005 T.I.R.

FINISH	MATERIAL
SPEC No.	SPEC No.

2. FEATURES ON THE SAME CENTERLINE MUST BE ALIGNED WITHIN ±0.002

FIRST USED ON	SCALE
	2:1

Switchcraft®

A	26014	3-16-07	TJK	TJK
---	-------	---------	-----	-----

DATE DRAWN	BY	CHKD	APVD
16-Mar-07	TJK	TJK	TJK
		3-16-07	3-16-07

SHEET | OF |

REV	ECO NUMBER	DATE	BY	APVD
-----	------------	------	----	------

NAME	PART No.	REV
RCA PHONO JACK FRONT MOUNT, RoHS	BPJF_X SERIES	A

REVISIONS

DO NOT SCALE DRAWING

Mouser Electronics

Authorized Distributor

Click to View Pricing, Inventory, Delivery & Lifecycle Information:

[Switchcraft:](#)

[BPJF04AU](#) [BPJF03AU](#) [BPJF02AU](#) [BPJF01AU](#) [BPJF03](#) [BPJF02](#) [BPJF04](#) [BPJF01X](#)