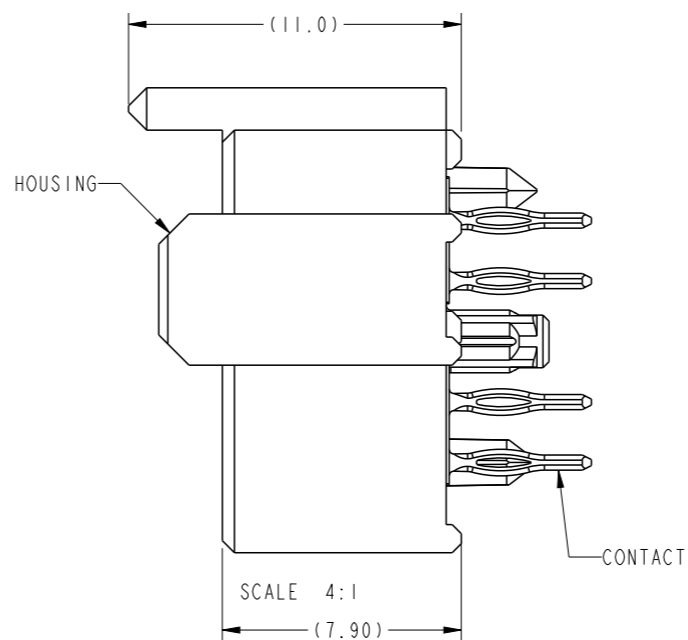
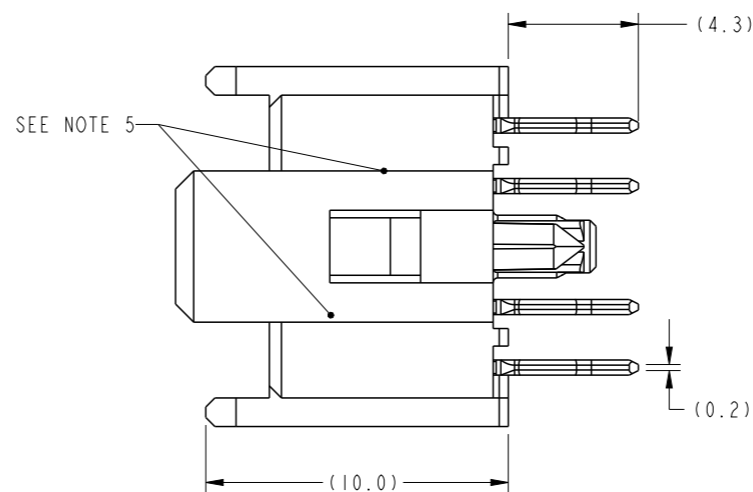
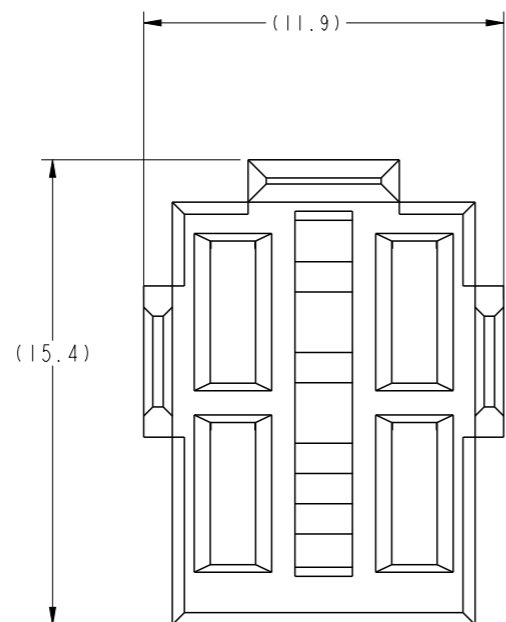
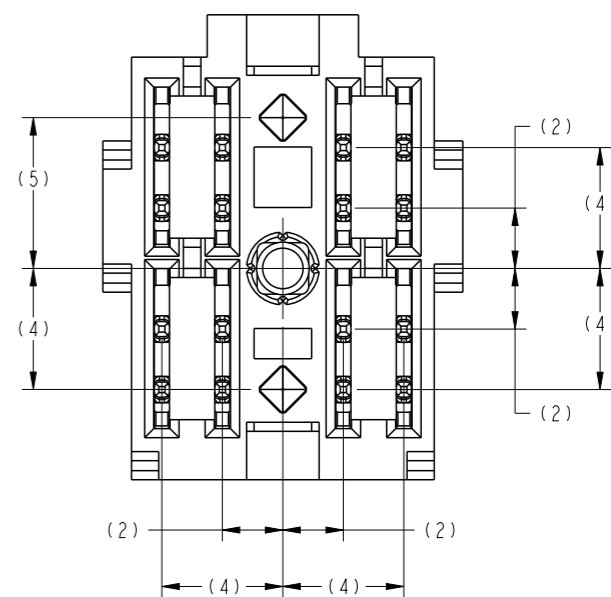


PRODUCT NUMBER	EQUIVALENT METRAL SIGNAL HEADER PIN LENGTH	ROHS COMPATIBILITY
10009536-001	8.0	N/A
10009536-002	6.5	N/A
10009536-003 *	5.0	N/A
10009536-001LF	8.0	SEE NOTE 9
10009536-002LF	6.5	SEE NOTE 9
10009536-003LF *	5.0	SEE NOTE 9

\* SEE NOTE 7



SCALE 4:1

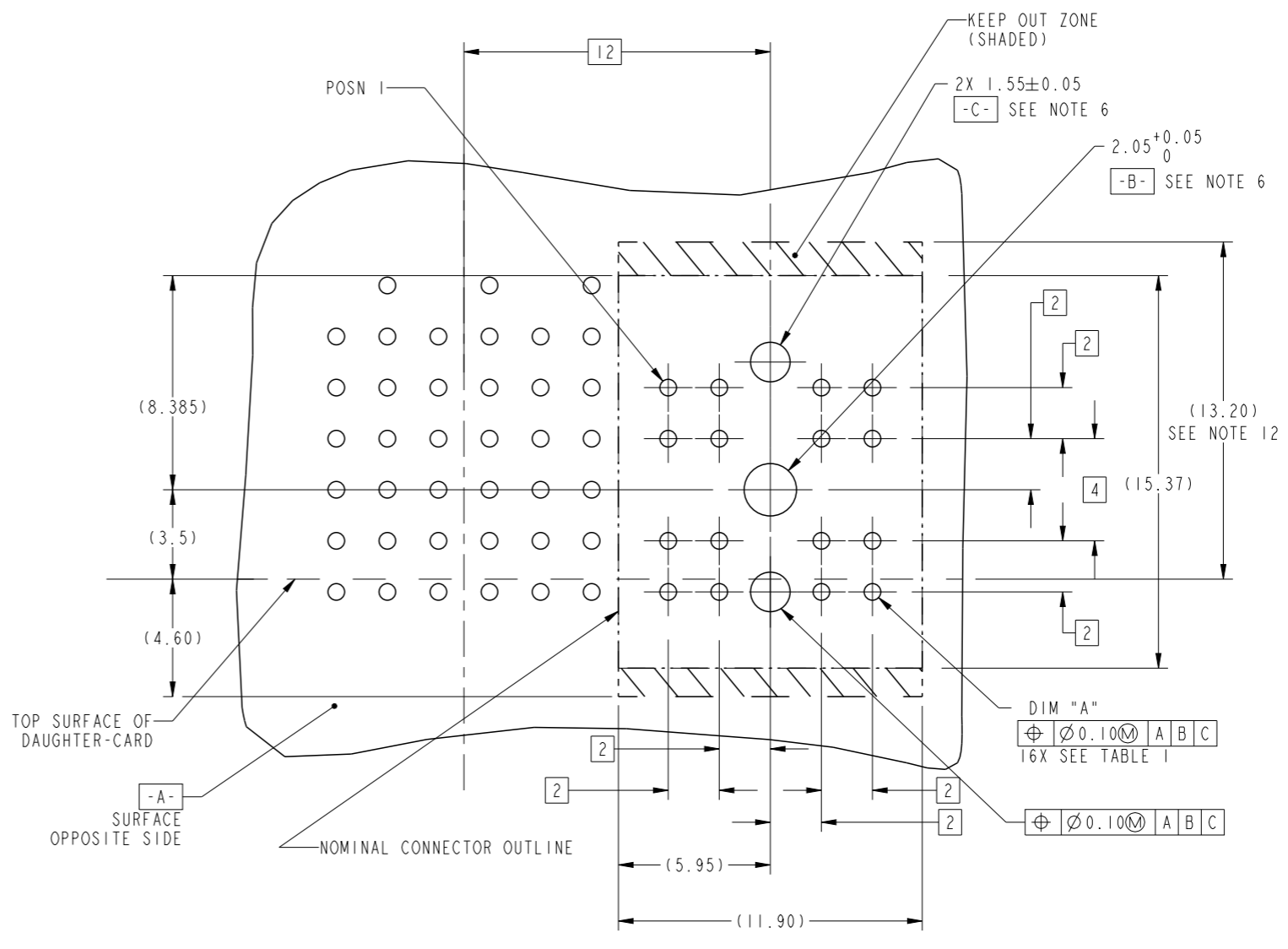


spec ref	-	dr	Chen-Hong Tan	2005/08/03	projection	mm	size	A3	scale	3:1										
tolerance std	TOLERANCES UNLESS OTHERWISE SPECIFIED	eng	Suzie Nah	2013/12/25			ecn no	ELX-S-16550-1	rel level	Released										
-		chr	-	-							product family	2mm HI POWER								
surface	<table border="1"> <tr> <td>linear</td> <td>0.X</td> <td>±.3</td> </tr> <tr> <td></td> <td>0.XX</td> <td>±.1</td> </tr> <tr> <td></td> <td>0.XXX</td> <td>±.051</td> </tr> <tr> <td>ASME Y14.5</td> <td>angular</td> <td>0°</td> <td>±2°</td> </tr> </table>	linear	0.X	±.3		0.XX	±.1		0.XXX	±.051	ASME Y14.5	angular	0°	±2°		RECEPTACLE ASSEMBLY, PRESS-FIT, METRAL VERSION	dwg no	10009536	rev	J
linear	0.X	±.3																		
	0.XX	±.1																		
	0.XXX	±.051																		
ASME Y14.5	angular	0°	±2°																	
www.fci.com	cat. no.	-	-	-	sheet 1 of 2															



Copyright FCI.

TOP LAYER DESCRIPTION	TABLE I PLATED THROUGH-HOLE REQUIREMENTS							
	DRILLED HOLE DIAMETER	COPPER THICKNESS	TIN-LEAD THICKNESS	NICKEL THICKNESS	GOLD THICKNESS	TIN THICKNESS	SILVER THICKNESS	FINISHED HOLE DIAMETER (DIM "A")
TIN-LEAD	0.81-0.86 (0.85 DRILL)	0.025 - 0.050	0.005 - 0.015	--	--	--	--	0.65 - 0.80
IMMERSION TIN	0.81-0.86 (0.85 DRILL)	0.025 - 0.050	--	--	--	0.9 - 1.5 $\mu$ m	--	0.70 - 0.80
IMMERSION SILVER	0.81-0.86 (0.85 DRILL)	0.025 - 0.050	--	--	--	--	0.15 - 0.65 $\mu$ m	0.70 - 0.80
COPPER (SEE NOTE 11)	0.81-0.86 (0.85 DRILL)	0.025 - 0.050	--	--	--	--	--	0.70 - 0.80
GOLD	0.81-0.86 (0.85 DRILL)	0.025 - 0.050	--	0.003 - 0.007	FLASH UP TO 0.0002	--	--	0.69 - 0.80



SCALE 4:1  
RECOMMENDED PCB LAYOUT,  
COMPONENT SIDE  
(SHOWN BESIDE A 5 ROW METRAL 1000 HEADER)

- NOTES:
- CONNECTOR MATERIALS:  
HOUSING: HIGH TEMPERATURE THERMOPLASTIC, BLACK, )  
UL94V-0 COMPLIANT.  
CONTACT: HIGH PERFORMANCE COPPER ALLOY
  - CONTACT PLATING:  
PRESS-FIT TAIL: 0.5-1.5 $\mu$ m TIN-LEAD OVER NICKEL (LEADED)  
: 0.5-1.5 $\mu$ m MATTE TIN OVER NICKEL (LEAD FREE)  
SEPARABLE INTERFACE: 0.76 $\mu$ m MIN GXT OVER NICKEL  $\triangle$
  - PRODUCT SPECIFICATION: GS-12-220
  - APPLICATION SPECIFICATION: GS-20-023
  - PRODUCT MARKING (PRODUCT NUMBER & LOT CODE)  
ON THESE SURFACES.
  - INDICATED HOLES ARE UNPLATED.
  - 003 AND -003LF WILL NOT BE TOOLED INITIALLY.
  - "LF" SUFFIX DENOTES LEAD FREE PLATING.
  - PRODUCT MEETS EUROPEAN UNION DIRECTIVES  
AND OTHER COUNTRY REGULATIONS AS DESCRIBED  
IN FCI SPECIFICATION GS-22-008.
  - PACKAGING MEETS FCI SPECIFICATION GS-14-920.
  - COPPER PLATING THICKNESS AT CENTER OF VIA HOLE  
CAN BE NO MORE THAN 0.003 LESS THAN OTHER AREAS.
  - KEEPOUT AREA CORRESPOND TO MATING HEADER OUTLINE  
WITH 13.2MM HEIGHT ABOVE TOP SURFACE OF DAUGHTER CARD  
AND 4.60MM BELOW TOP SURFACE OF DAUGHTER CARD
  - A  $\triangle$  SYMBOL WILL BE NEXT TO ANY DIMENSION, VIEW,  
OR NOTE WHICH HAS BEEN MODIFIED WITH THE CURRENT  
DRAWING REVISION

spec ref	-	dr	Chen-Hong Tan	2005/08/03	projection	mm	size	A3	scale	3:1										
tolerance std	TOLERANCES UNLESS OTHERWISE SPECIFIED	eng	Suzie Nah	2013/12/25			ecn no	ELX-S-16550-1	rel level	Released										
-		chr	-	-																
surface	<table border="1"> <tr> <td>linear</td> <td>0.X</td> <td>±.3</td> </tr> <tr> <td></td> <td>0.XX</td> <td>±.1</td> </tr> <tr> <td></td> <td>0.XXX</td> <td>±.051</td> </tr> <tr> <td>angular</td> <td>0°</td> <td>±2°</td> </tr> </table>	linear	0.X	±.3		0.XX	±.1		0.XXX	±.051	angular	0°	±2°	appr	Chen-Hong Tan	2014/01/14	product family	XXXXXX	rel level	Released
linear	0.X	±.3																		
	0.XX	±.1																		
	0.XXX	±.051																		
angular	0°	±2°																		
ASME Y14.5				RECEPTACLE ASSEMBLY, PRESS-FIT, METRAL VERSION		dwg no	10009536	rev	J											
		www.fci.com	cat. no.						sheet 2 of 2											



Copyright FCI.