

T H E R M O M E T R I C S
A C O M M I T M E N T T O E X C E L L E N C E

Active Incar Sensor



This sensor indicates temperature in the cabin of passenger cars. Since it uses a fan to continuously draw air past the thermistor for an accurate temperature reading, it requires no venturi tube.

Applications

- Fully automated temperature control systems
- Active motor temperature sensors

Features

- Easy to attach and repair
- High sensitivity and low noise
- Wide applications

Amphenol
Advanced Sensors

Incar Sensor Specifications

Resistance (kS)

- R @ 59°F (15°C) = 4.441 ±2.87%
- R @ 77°F (25°C) = 2.795 ±2.50%
- R @ 95°F (35°C) = 1.805 ±2.86%

Thermal Time Constant

Maximum 10 seconds

Operating Temperature Range

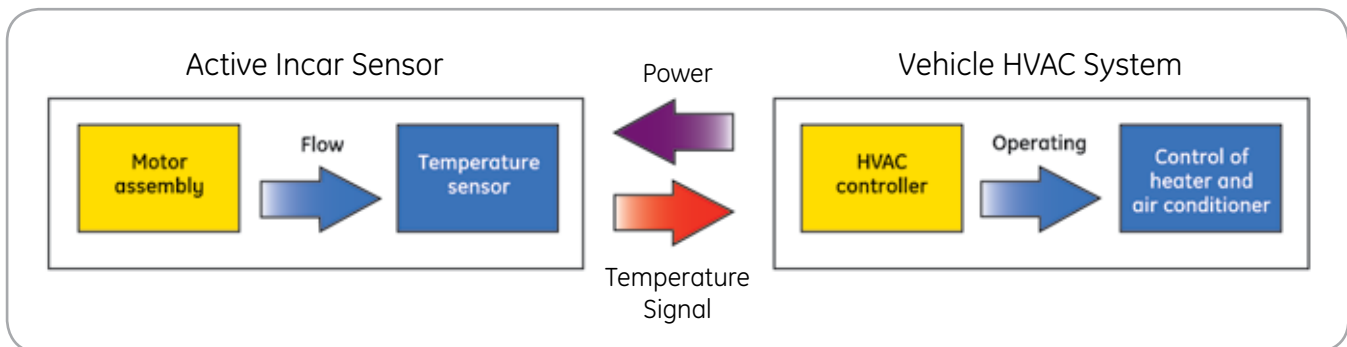
-40°F to 190°F (-40°C to 88°C)

Noise

Maximum 35 dB (50 to 20 KHz)



Block Diagram



Mouser Electronics

Authorized Distributor

Click to View Pricing, Inventory, Delivery & Lifecycle Information:

[Amphenol:](#)

[JS6780](#)