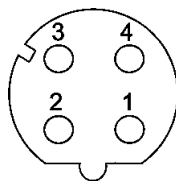




Mating face



D-coding
Mating face
acc. to IEC 61076-2-101



Identification

Part number

Drawing

Dimensions in mm

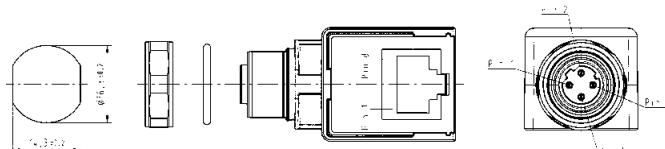
**M12 Female-RJ45
Panel feed-through**

4 poles, D-coding
angled



Panel thickness
min. 2.1 mm
max. 4.5 mm

21 03 381 4401



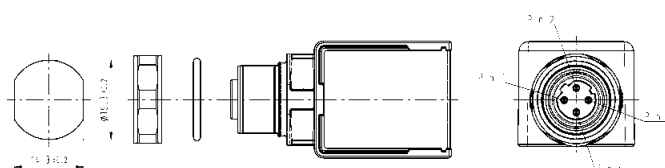
**M12 Female-RJ45
Panel feed-through**

4 poles, D-coding
straight



Panel thickness
min. 2.1 mm
max. 4.5 mm

21 03 381 2401

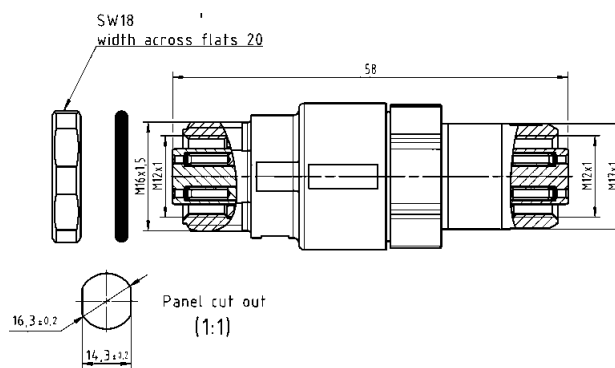


**M12 Gender Changer
Female-Female**



4 poles, D-coding
Cat. 5

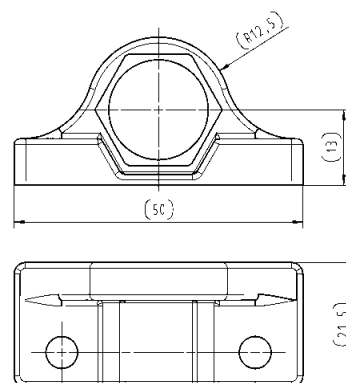
21 03 381 6401*



Wall bracket



21 01 000 0036



4 wire